



DISC BRAKE PADS KIT

MADE IN GERMANY

DISC BRAKE PADS

for Commercial Vehicles and trailers



Trusted By Vehicle Manufacturers

Stahlhorz is factory fitted as standard by many of the world's manufacturers of vans, trucks, trailers and buses. Our parts are of original equipment quality, bringing added safety and reliability.

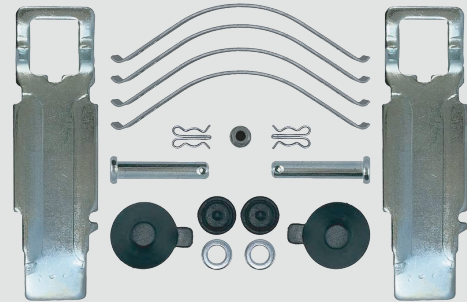




SH10802



x4



WVA 29108, 29278
Brake System: Knorr SB/SN7

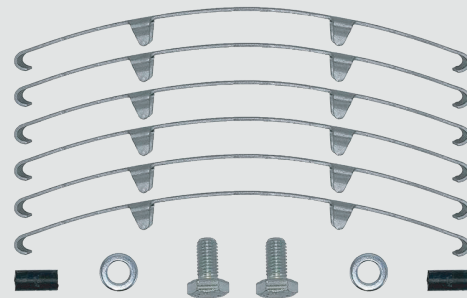
Ref.no.	To Fit
A0024204920	Mercedes-Benz
JAE 02 504 010 20	JOST
02.031.21.40.0	BPW
3.057.0077.00	SAF
1906439	Iveco
1433011	DAF
81.50820.5104	MAN
1390428	Scania



SH03002



x4

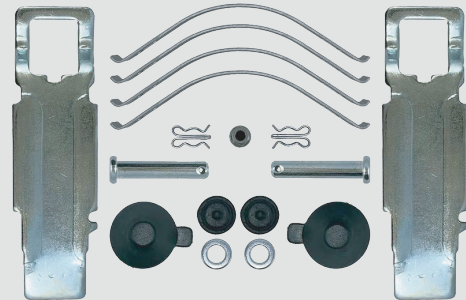


WVA 29030, 29083, 29113
Brake System: Meritor D-ELSA-1
 Meritor D-3

Ref.no.	To Fit
81.50820.5007	MAN
A0024205520	Mercedes-Benz
5001823000	Renault
8.285.388.435	Serta



SH09502



Ref.no.

A0024207820
81.50820.6008
2992336
3.057.0078.00
02.031.21.60.0
JAE 02 504 078 20

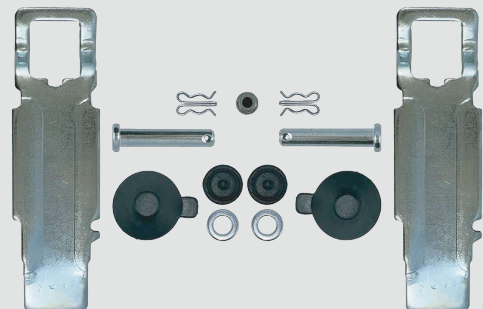
To Fit

Mercedes-Benz
MAN
Iveco
SAF
BPW
Jost

WVA 29094, 29095
Brake System: Knorr SB/SN7



SH24602



Ref.no.

A0064201420
A0064205220

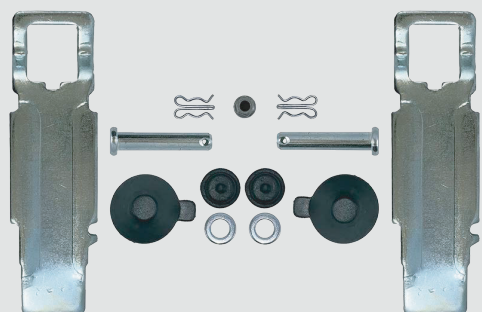
To Fit

Mercedes-Benz

WVA 29246, 29247
Brake System: Knorr SM 7



SH24402



Ref.no.

A0064201520
A0064205320

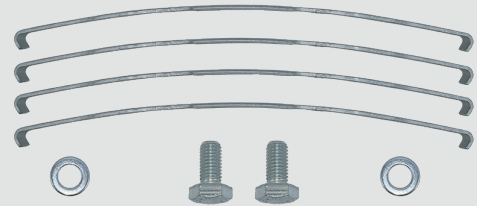
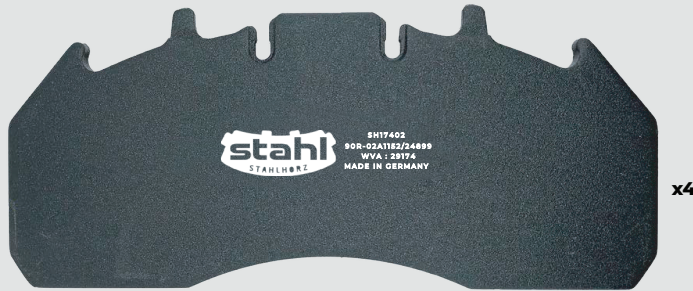
To Fit

Mercedes-Benz

WVA 29244, 29245
Brake System: Knorr SL 7



SH17402

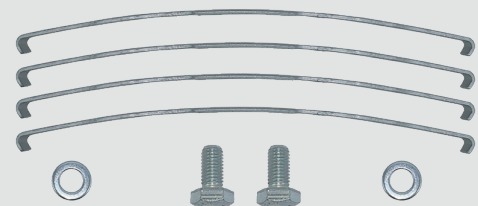


WVA 29174
Brake System: Meritor ELSA 225-3

Ref.no.	To Fit
7421399929	Renault Truck
5001864363	
23149532	Volvo
21352570	
20526568	



SH17302

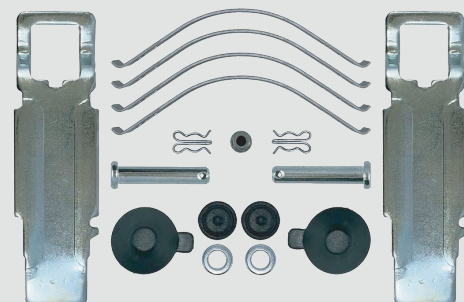


WVA 29173
Brake System: Meritor ELSA 225-1

Ref.no.	To Fit
7422921058	Renault Truck
5001864365	
20560414	Volvo
21352573	



SH17102

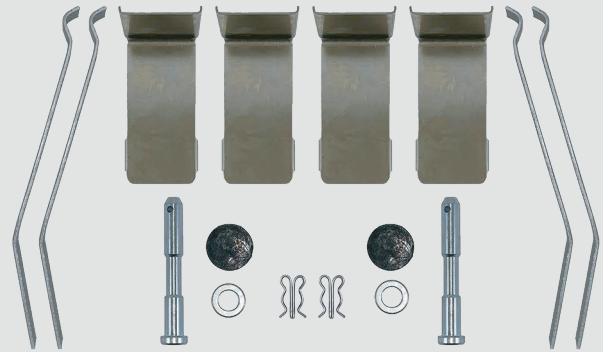


WVA 29158, 29171
Brake System: Knorr SK 7

Ref.no.	To Fit
A0044207020	Mercedes-Benz
3.057.0085.00	SAF
JAE 02 504 070 20	Jost



SH22802

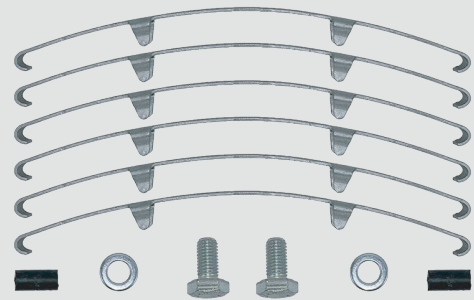


WVA 29228
Brake System: BPW TSB 4309

Ref.no.	To Fit
0509290130	} ————— BPW
0980107570	
0980107971	



SH13102

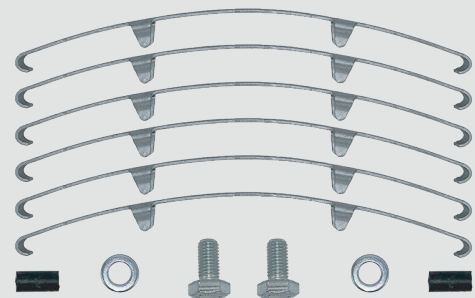


WVA 29131
Brake System: Meritor D-ELSA 2

Ref.no.	To Fit
81.50820.5072	} ————— MAN
81.50820.6051	
5001855646	Renault Truck
2996065	Iveco



SH12502

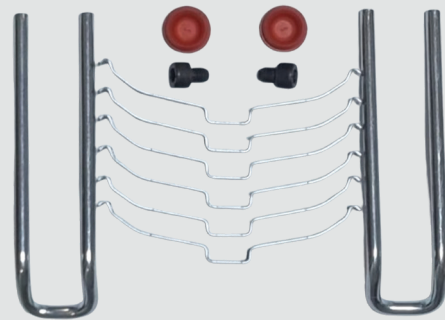


WVA 29125, 29277
Brake System: Meritor D-DUCO

Ref.no.	To Fit
20768092	} ————— Volvo
20918891	



SH31502



WVA 29315, 29345
Brake System: Wabco MAXX 22L

Ref.no.
 A9604200420
 A0084206320
 A0084206420

To Fit
 Mercedes-Benz
 MP4/MP5
 ANTOS & ARCOS



SH11502



WVA 29115/29148
Brake System: Knorr SB/SN5

Ref.no.
 A9674200320
 A0044206120
 A0084206620
 81508205085

To Fit
 Mercedes-Benz
 ACCELO, ANTOS, ATEGO
 AXOR & ECONIC
 MAN
 TGL I & TGL II

NOTES

A large rectangular area with rounded corners, containing a grid of horizontal dashed lines for writing notes.



www.stahlhorz.com

info@stahlhorz.com

**Stahlhorz GmbH Benediktbeuern
83671 , Ignaz-Günther-Germany.**