

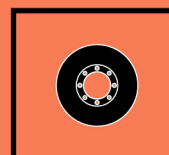


BRAKE PADS

BRAKE DISC & LINING



Suitable for Commercial vehicles, SUVs, trucks or any vehicle with extended duty requirements, Stahlhorz CV brake pads friction formula is made of strong, heat resistant components.



Braking System Basics

Brakes are vital for slowing your Vehicle down – whether its abruptly to avoid a collision, or gently to stop at traffic lights. They are crucial for safety, not just yours, but also that of other road users around you. So, it makes sense to ensure they are well maintained.

Brakes in action








How to tell if your brakes need replacing

Checking your brakes to ensure they are in good condition requires your senses of sight, hearing and touch. Together, this will give you a good idea of when to replace your brakes for a smoother and safer driving experience.

Your brakes may need replacing if you notice any of the following signs:

- **Squealing noise:**
Some squealing noise coming from the brakes is expected under normal driving conditions, depending on the cleanliness of your brakes, the materials used for your brake pads and the weather. However, a loud screeching sound is a warning that brake pads may need replacing. Some brake pads use a semi-metallic layer within the brake pad material, or an external sensor designed to screech when the brake pad is due to be replaced. This screeching noise can be heard even when the brakes aren't being used. If you wait too long at this point, the screeching noise will be replaced by a grinding noise which means the brake pads have worn down completely, and potentially can generate additional costs by damaging the brake disc.
- **Warning light:**
Some Vehicles have a warning light on the dashboard to let you know when your brakes need attention. Most sensors have the same lifespan as the brake pad, so they need to be replaced along with the brake pads. Before you rely on this method, it's best to check your owners' manual as not all Vehicles are fitted with brake pad sensors.
- **Vehicle pulling to one side:**
If your Vehicle feels like it is pulling to one side or the other while you're driving, it could be a sign of worn-out brake pads or that the calliper guide pins or piston is sticking.
- **Visual check:**
It's a good idea to visually check your brakes regularly, for example every 10,000 miles (approximately 16,000 km). This is extremely important if your Vehicle doesn't have sensors. You can visually check the brake pads by looking through the spokes of the Vehicle's wheel. If less than 3mm of the brake pad is visible, then they need to be replaced.
- **Vibrations:**
If you feel your Vehicle vibrating as you brake, it is a sign that your brake discs might be abnormally worn or have suffered thermal damage following severe braking.

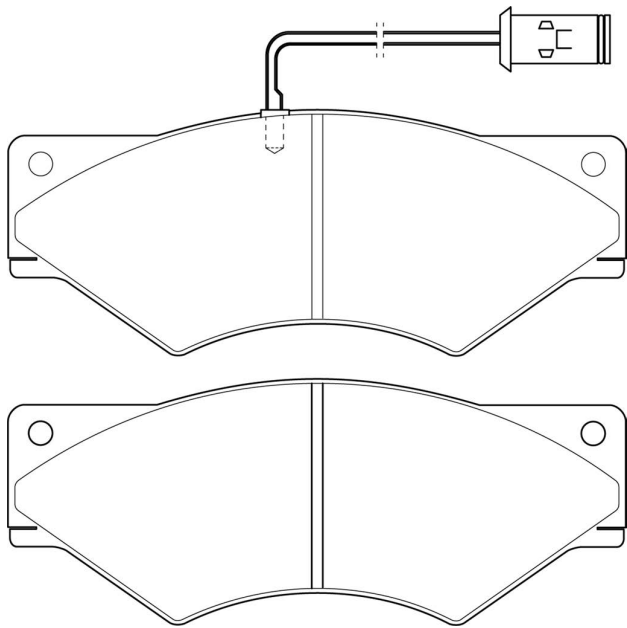
	WVA	OE CROSS				
SH00102	29001	1906183	174	69	20	IVECO DAILY II Platform/Chassis, 01/89 - 05/99
SH01102	29011	1906191	241	125	25	IVECO EUROCARGO I-III, 01/91 - 09/15 EUROSTAR, 01/93 - 02/02
SH01302	29013	5000297808	183	87	21	RENAULT TRUCKS MIDLINER, 10/82 - 01/00 S - Series Midliner, -
SH01602	29016	50001106	163	111	28	IVECO Bus 400 - Series, - 480 / 490 / 580 - Series, -
SH01702	29017	1903486	191	89	23	DAF 45, 01/91 - 12/00 F600, F800, F1000 , IVECO ZETA, 01/79 - 12/92,
SH02402	29024	1906070	191	89	23	IVECO,ZETA, 01/79 - 12/92 Leyland 45 - Series, -
SH03002	29030	5001823000	250	118,5	28	RENAULT TRUCKS MAGNUM, 04/96 - 05/00 MAJOR, 05/91 - 10/96
SH03202	29032	1906170	206	107	25	IVECO EUROCARGO I-III, 01/91 - 09/15 EUROFIRE, 01/91 -
SH04402	29044	5000814345	236	95	20	RENAULT TRUCKS FR - Bus, - FR1, 01/83 -
SH05302	29053	81508045088	250	118,5	30	SETRA Series 300, 09/91 - 02/02
SH05502	29055	81508046028	176	83	22	MAN FOC, - L2000, 10/93 -
SH06502	29065	1522201	175	86	22	IVECO, EUROCARGO I-III, 01/91 - 09/15 RENAULT TRUCKS MIDLINER,
SH06702	29067	1906043	176	79	22	IVECO, EUROCARGO I-III, 01/91 - 09/15 RENAULT TRUCKS MIDLINER,
SH07202	29072	5001834448	170	111	19	RENAULT TRUCKS R, 10/80 - 12/96
SH08602	29186/29075	42535773	180	106	20	IVECO 399 - Series, - EURORIDER, -
SH07602	29076	A0004237110	164,5	73	19,5	MERCEDES Sprinter, VARIO Van VW LT 28-46 II
SH07702	29077	AMPA694	205	106	27	DAF 55, 09/95 - 12/00
SH08802	29088	5001866951	176	83	26	DAF, IVECO, MAN, RENAULT TRUCKS MIDLUM, 05/06 -
SH09002	29090	5001846034	250	114	28	RENAULT TRUCKS MAGNUM, 04/96 - 05/00 VOLVO
SH1002	29100	5001833104	214	112	25	NISSAN Atleon Range, RENAULT TRUCKS MIDLINER, 10/82 - 01/00
SH12102	29121	2991668	165	66	20	IVECO DAILY III Van, 11/97 - 10/09
SH12302	29123	2991667	109,5	64	20	IVECO Daily
SH12402	29124	15224835	205	102	27	MERITOR LM, - DX 195, -
SH12502	29125	20768092	250	111	29	ROR, Volvo FM12, 08/98 - 09/05
SH13102	29131	81508205072	250	118	30	MAN,TGL I, 04/05 - ERF ECL, 04/02 -
SH13702	29137	20768115	210	102,5	29	Volvo Truck FL, 03/00 -
SH14202	29142	5001855902	204,5	99,5	30	RENAULT TRUCKS MIDLUM, 05/06 -
SH14302	29143	3057317900	248	108.3	30	Discos, SAF SK RB 9022 H, -, SMB
SH11502	29115/29148	84206520	174 / 185	84	27 / 34	MERCEDES BENZ
SH15002	29150	254625	249	117,5	30	MENARINI M240, IVECO City Class
SH15302	29153	A0024204120	164,6	73	19,7	MERCEDES Sprinter, VW LT
SH15902	29159	1628064	210,5	92,5	30	DAF CF, 05/13 -
SH16002	29160	2995632	164,5	68	20	IVECO DAILY III Platform/Chassis, 03/98 - 10/09
SH16202	29162	3057008400	210,5	109,5	31	SAF SKRZ, 03/95 -SKRS, 12/92 -
SH16902	29169	4604200020	210	102,5	29	MERCEDES-BENZ T2/L, 01/68 - 12/88
SH17302	29173	5001864365	216	99,5	29	RENAULT TRUCKS D, 01/13 - , VOLVO FL III, 05/13 -
SH17402	29174	5001864363	249	109,5	29	RENAULT TRUCKS C, 01/13 - D, 01/13 - VOLVO FMX III, 02/20 -
SH18102	29181	20780788	210,5	92	30	VOLVO FL II, 05/06 -
SH19002	29190	9064200100	137	63	19,5	MERCEDES-BENZ SPRINTER (B906), 11/11 - CRAFTER 30-50 Van (2E.),
SH19202	29192	A0054202120	163	67	21	MERCEDES Sprinter VIANO (W639), 09/03 -
SH20002	29200	9064210800	169,5	73,5	20,5	MERCEDES Sprinter
SH21302	29213	81508205017	211	92,5	30	MAN TGM II, 02/20 -
SH21702	29217	5420742028	165	78,5	20,5	MERCEDES Sprinter/ VW Crafter 5T 06→
SH22302	29223	81508205108	217,5	108	30,5	MAN FOC, -TGX, TGS
SH22902	29229	42555881	163,5	67	20,5	IVECO DAILY IV Bus, 05/06 - 08/11
SH23202	29232	42555917	141,5	72,5	20,5	IVECO Daily III, VI Van, 03/14 -
SH24402	29244/29245	9604200220	207,5	113,7	30 / 35	MERCEDES ACTROS MP4 / MP5, 07/11 - REAR
SH24602	29246/29247	A0064201420	244,5	113,7	30 / 35	MERCEDES ACTROS MP4 / MP5, 07/11 - FRONT
SH10802	29252	A0084206020	247,5	109,5	30	MERCEDES BENZ, IVECO, MAN, DAF
SH25602	29256	2996518	175,5	95	27	IVECO EUROCARGO I-III, 01/91 - 09/15
SH17102	29257	3057008500	211	108	30	SK RZ 9022/11222K (SK7), -
SH26302	29263	0509290070	248	109,5	30	BPW SB 4345, - (Double notch)
SH26402	29264	0509290060	211	108	30	BPW SB 4309 W, - (Double notch)
SH26502	29265	0509290040	211	93	30	BPW SB 3745, - (Double notch)
SH27402	29274	93887	210	94	30	HALDEX DB22, -DB22LT, -DBT22LT, -
SH09502	29287	500363646	211	100	30	IVECO, MAN, MERCEDES BENZ
SH30202	29302	270530	176	80	22	FL6, 09/85 - 03/00
SH31802	29318/29319	3057000600	215	108.5	32/35	SAF Axle Knorr ST7
SH32802	29328/29329	1178243	215	108.5	32/35	SCHMITZ CARGOBULL Knorr-Bremse AG ST7, -
SH37402	29374	1906353	175	175	86	IVECO DAILY VI Platform/Chassis, 03/14 - VAN
SH55402	29554	A0004207520	90	74	15	MERCEDES-BENZ MB-TRAC, 07/73 - 12/91
SH68802	29688	1906118	110	99	27	AUWÄRTER, IVECO Magirus - Bus, -
SH74702	29747	8 284 000 209	140	121	33	BOVA, DAF, MAN, NEOPLAN, SETRA, VAN HOOL
SH83502	29835	6694200120	175	85	22	MERCEDES BENZ SPRINTER 5-t Platform/Chassis (B905), 04/01 - 05/06

	WVA	OE CROSS				
SH98402	29984	41060G490A	167	62	17	NISSAN L-Serie, 01/95 - 12/00 ECO-T, 01/97 - 12/00
SH36402	20364	1571569	90	70	15	FORD TRANSIT Bus (T_), 10/85 - 09/92
SH20011	20011	211698151C	77	70	18,5	VW TRANSPORTER T3 Van (24_ , 25_), 05/79 - 12/92
SH57002	20570	7701202709	105	56	18,5	RENAULT TRAFIC Van (T_ , P_ , V_), 03/89 - 12/01
SH35902	20359	1571570	102	75	18	FORD Transit, IVECO Daily
SH28002	20280	251 698 151	90	74	18	VW LT 40-55 I Platform / Chassis (293-909)
SH28002	20784	A0005868942	149	74	18	MERCEDES Sprinter T2/L, 01/68 - 12/88
SH92702	20927	7701 202 044	154	56	18,5	RENAULT Trafic Platform/Chassis VAN MINIBUS
SH38002	20380	BRE	110	73	18,5	IVECO Daily, Grinta
SH04802	21048	1902292	110	74	18,5	IVECO Daily DAILY I Platform/Chassis, 01/78 - 05/99
SH14102	21141	5023486	114	58	18	FORD TRANSIT Bus (T_), 10/85 - 09/92
SH07102	29071	5000823566	167	62	17	RENAULT TRUCKS B Platform/Chassis, 01/83 - 06/99
SH75902	20759	1902294	102	75	18	IVECO Daily I Platform/Chassis, 01/78 - 05/99
SH97902	20979	251698151C	130	56	19,5	VW TRANSPORTER T3 Van (24_ , 25_), 05/79 - 12/92
SH03702	29037	1906038	110	73	18,5	IVECO DAILY II Van, 01/89 - 05/99
SH01202	29012	1906243	149	69	18	IVECO DAILY II Platform/Chassis, 01/89 - 05/99 GRINTA, -
SH62002	21620	1902292	110	73	18,5	IVECO DAILY I Van, 01/78 - 08/98 , Grinta
SH48002	21480	7963999	105	75	18	IVECO DAILY II Bus, 01/89 - 05/99
SH65302	20653	1902494	102	75	18	IVECO DAILY I Platform/Chassis, 01/78 - 05/99
SH46502	20465	1902469	149	69	18	IVECO Daily, II Platform / Chassis
SH65202	20652	701 615 151	92	80	18	VW Transporter T4 Platform / Chassis
SH02124	20124	701 698 151C	130	54,5	19	VW Transporter T4
SH57302	21573	6014217720	146	61	14	MERCEDES MB 100 Minibus (W631)
SH47002	21470	5028763	139	65	18	FORD TRANSIT Van (VF, VG, VE), 06/94 - 03/00
SH46902	21469	5028764	137	74	18	FORD TRANSIT Platform/Chassis (VF, VG), 08/94 - 03/00
SH90402	20904	GBP272	127	71	18	DAF 400-serie Van
SH18602	21186	4604200020	149	69	18	MERCEDES-BENZ T1/TN Platform/Chassis
SH57602	21576	44205520	156	65	19	MERCEDES-BENZ Sprinter 4-T
SH27902	21279	A0024203920	64	57,5	17	MERCEDES-BENZ V-Class (W638/2) Sprinter, Vito
SH62102	21621	24205620	141	49	17	MERCEDES-BENZ Sprinter 3-T, VW LT
SH47802	21478	701 698 151 D	130	65,5	19	VW Transporter T4 Minibus (70B, 70C, 7DB, 7DK, 70J, 70K, 7DC, 7DJ)
SH93402	20934	6014217720	146	61	14	MERCEDES MB100
SH88202	21882	701 698 451	95	57,5	17,5	VW Transporter T4
SH23302	23302	7701206369	139	66,5	18	RENAULT Master I Minibus
SH88302	21883	7D0 698 151	156	68,5	19,5	VW Transporter T4
SH02202	23022	A0034200120	135	66	20,5	MERCEDES Sprinter, Vito
SH02002	23020	A0004214210	104	53	18	MERCEDES-BENZ V-Class (W638/2)
SH63402	21634	701 698 151 A	91	81	18	VW Transporter T4
SH02102	23021	A0004209720	126	63	18,5	MERCEDES Sprinter, VW LT
SH43502	23435	410600X226	169	64,5	18	NISSAN Cabstar E
SH43002	23430	1318139	169	63,5	18,5	FORD Transit Mk5 Platform / Chassis (V184, V185)
SH03402	23034	7D0 698 151A	157	79	19	VW Transporter T4
SH17602	23176	7D0 698 151C	91	81	18	VW Transporter LT 28-46 II Van (2DA, 2DD, 2DH)
SH26902	23269	7M3 698 151 A	161	73 / 74,5	20	VW Transporter T4 Minibus
SH47902	21479	7D0 698 151B	130	65,5	19	VOLKSWAGEN LT 28-46 II Van (2DA, 2DD, 2DH)
SH66902	23669	8660004483	116	51,5	19	RENAULT Master II Minibus
SH09902	23099	7701050914	145	62,5	18	RENAULT Trafic
SH98002	23980	7701 054 772	95	57	17	RENAULT Trafic III Van (FG) (EL)
SH13902	29139	1906428	110	73	18,5	IVECO DAILY II Platform/Chassis, 01/89 - 05/99
SH16302	23163	7D0 698 151D	156	68,5	19,5	VW Transporter T4 Minibus
SH61302	23613	7701 206 727	138	79,5	18	RENAULT Master II Minibus
SH84002	23840	1144288	169	62,5	18,5	FORD Transit Mk5 Platform / Chassis Tourneo (FC_)
SH46802	23468	7H0698151	155/ 156	73 / 75	18,5 / 20	VW Transporter T5, T6
SH23747	23747	7H0698151A	155 / 156	73 / 75	17,5 / 18	VW California T5 Minibus
SH14002	29140	190 6429	110	73	18,5	IVECO Daily, Daily II
SH90102	23901	A0024204020	156	55	18,5	MERCEDES-BENZ Sprinter
SH32602	23326	7E0698451A	116	59	17,5	VW Transporter Multivan T5 , T6
SH00702	24007	6394200100	162	60,5	21	MERCEDES-BENZ Vito Minibus (W639)
SH00802	24008	A0004216210	99	49	18,5	MERCEDES-BENZ Viano (W639)
SH48402	24484	1433952	165	66,5	19	FORD Transit Mk6 Minibus (V347, V348)
SH48502	24485	1433954	165	65	19	FORD Transit Mk6 Caja / Chasis (V347, V348)
SH48602	24486	1433958	123	53,5	17	FORD Transit Mk6 Van (V347, V348)
SH36702	24367	7L6 698 451	140,5 / 141	51 / 54	19	VW Transporter T5
SH92102	23921	D4060MA000	110	50	20,5	NISSAN Cabstar RENAULT Maxity
SH14802	25148	410601061R	163,5	65	18,5	RENAULT Master III Minibus
SH17202	25172	440600866R	163,5	63	18	RENAULT Master III Platform/Chassis
SH11202	25112	4406000Q0L	128,5	59,5	18	RENAULT Master III Minibus
SH31502	29315	A0084206320	220,7	104,5	29	MERCEDES-BENZ MP4,MP5 ANTOS,&ARCOS
SH22802	29228	980107960	210,8	114,5	30	BPW H, SH, TSB

SH00102

WVA 29001 / 29107

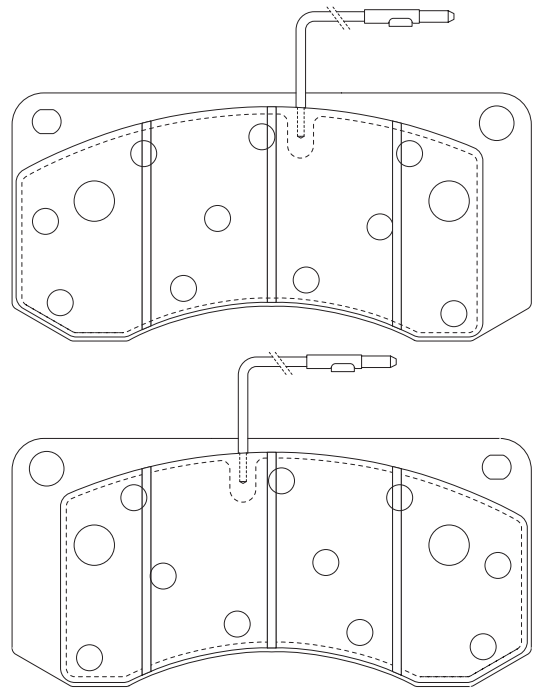
IVECO



SH01302

WVA 29013

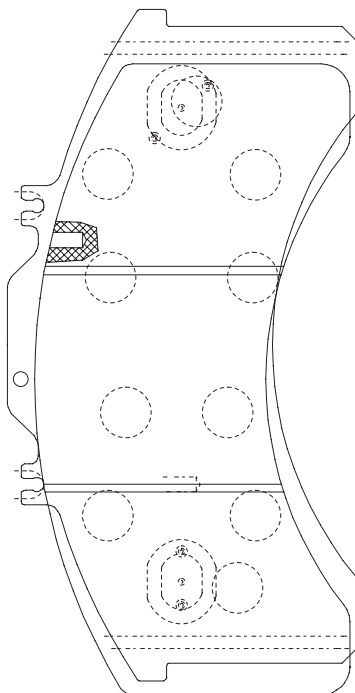
RVI



SH01102

WVA 29011

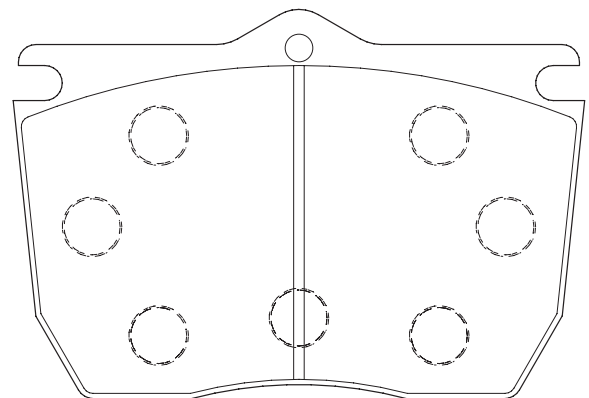
IVECO



SH01602

WVA 29016

IVECO Bus



SH01702

WVA 29017

DAF, IVECO, Leyland



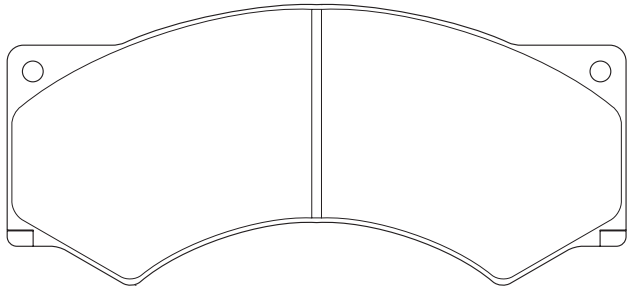
250



118,5



28



SH03002

WVA 29030

MAN



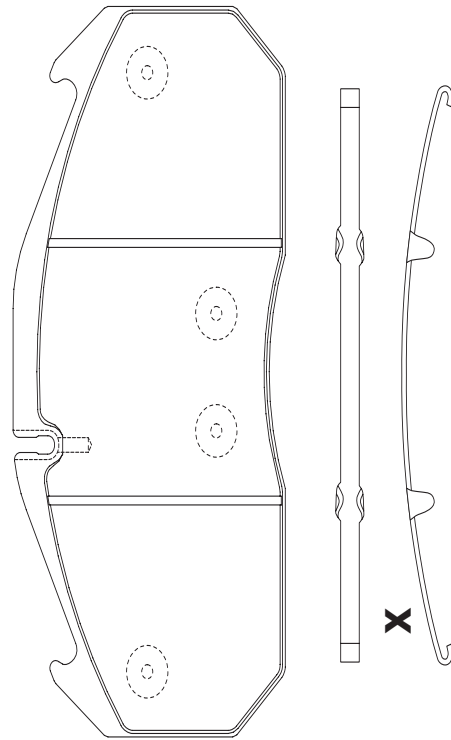
183



87



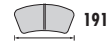
21



SH02402

WVA 29024

IVECO, Leyland



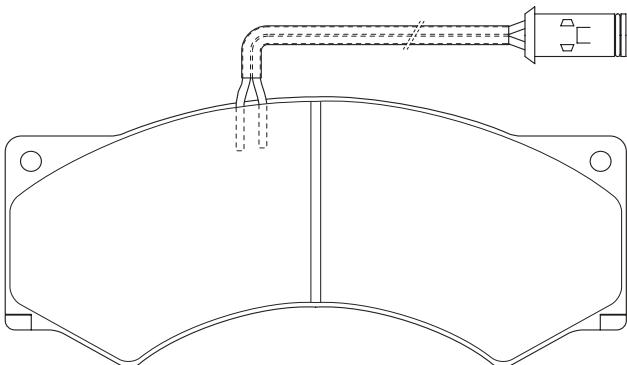
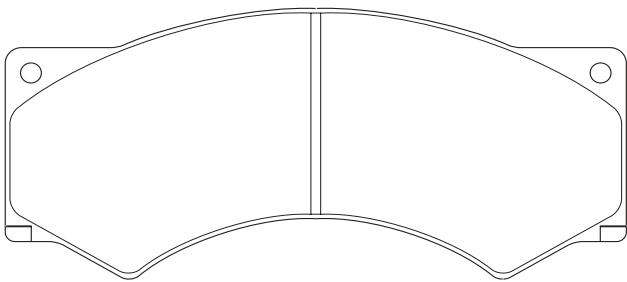
191



89



23



SH03202

WVA 29032

IVECO



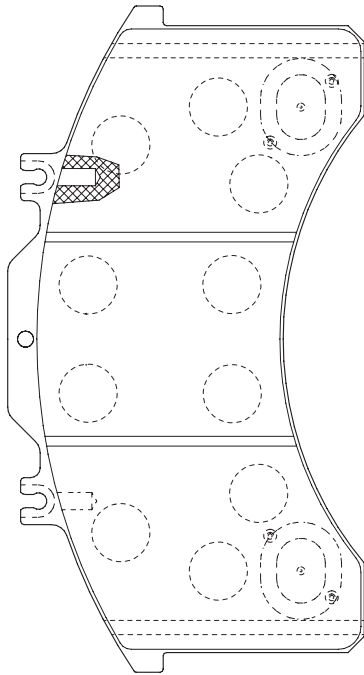
206



107



25



SH05302

WVA 29053

Truck/coach (Oversize)



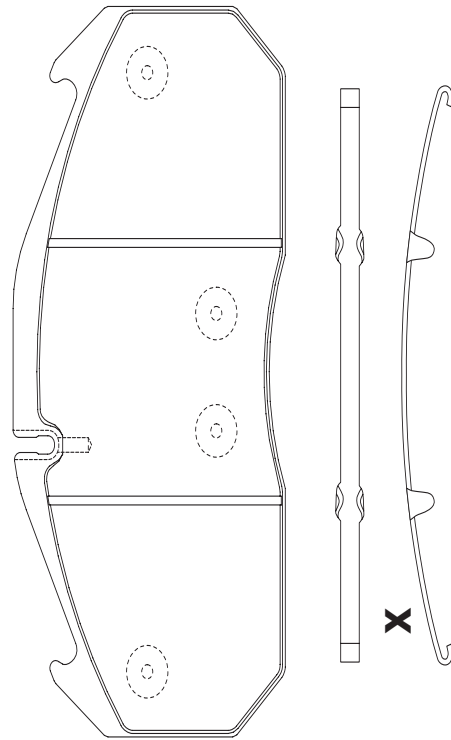
250



118,5



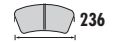
30



SH04402

WVA 29044

RVI - Bus



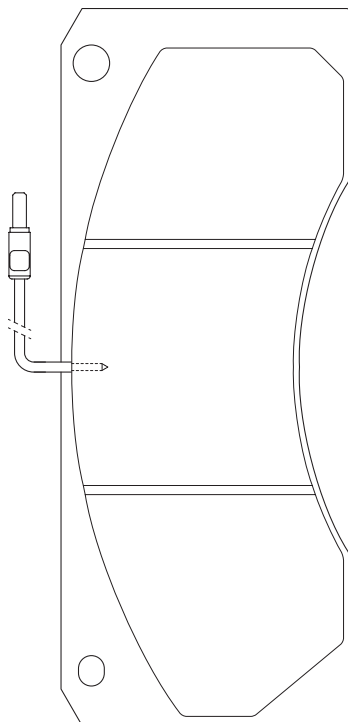
236



95



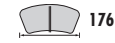
20



SH05502

WVA 29055

MAN



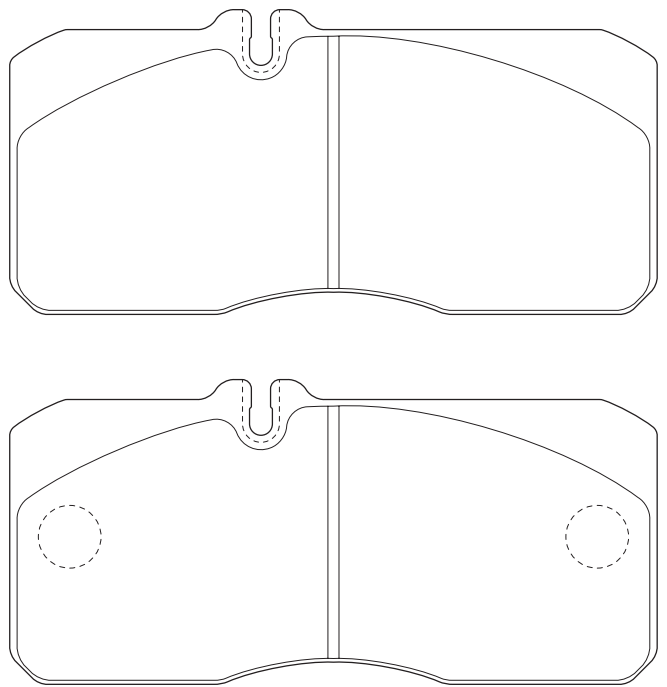
176



83



22



SH06502

WVA 29065

IVECO, RVI



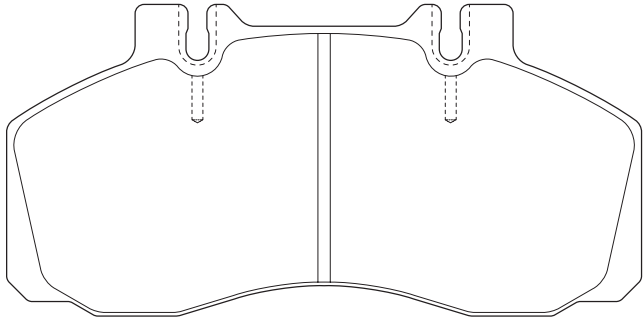
175



86



22



SH07202

WVA 29072

MENARINI, RENAULT BUS



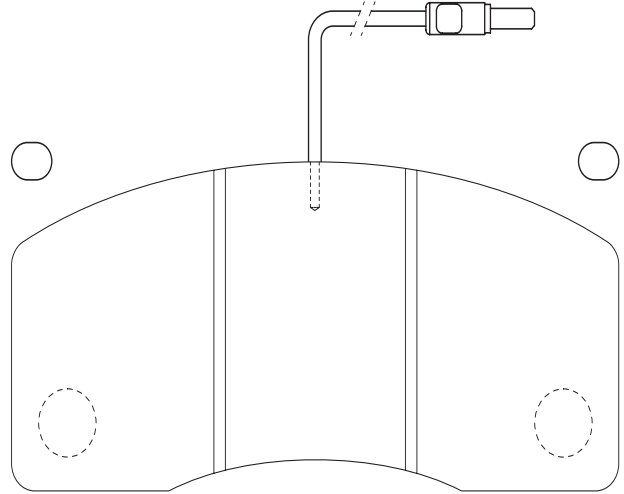
170



111



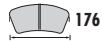
19



SH06702

WVA 29067

IVECO, RVI



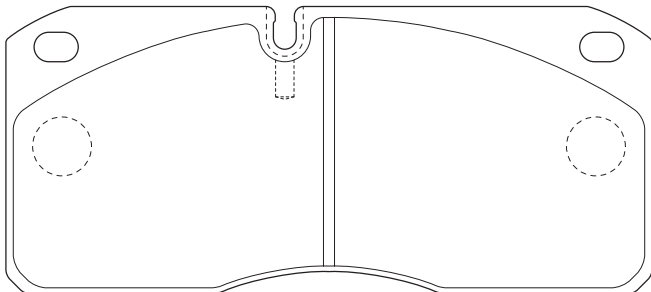
176



79



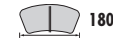
22



SH08602

WVA 29186 / 29075

IVECO



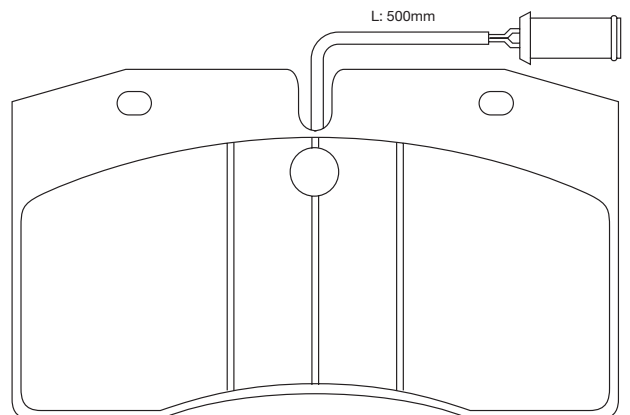
180



106



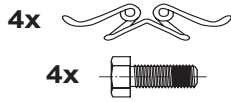
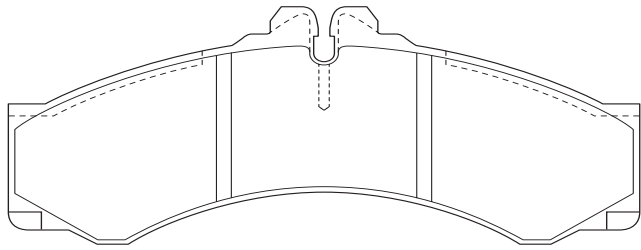
20



SH07602

WVA 29076

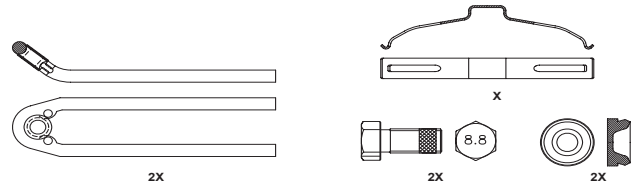
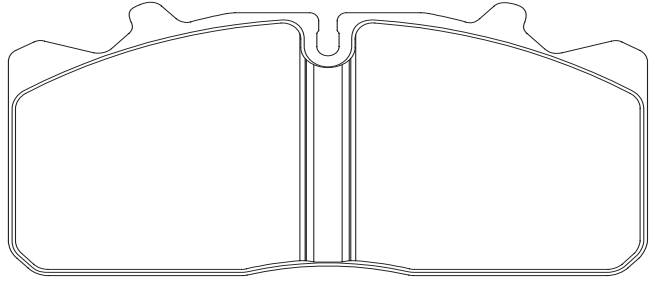
MERCEDES Sprinter, VW LT



SH08802

WVA 29088 / 29285

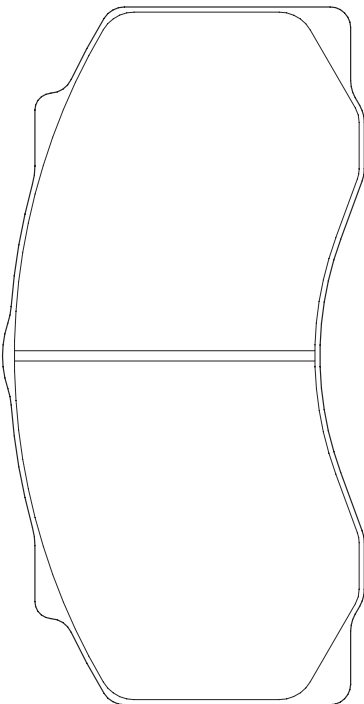
DAF, IVECO, MAN, RVI



SH07702

WVA 29077

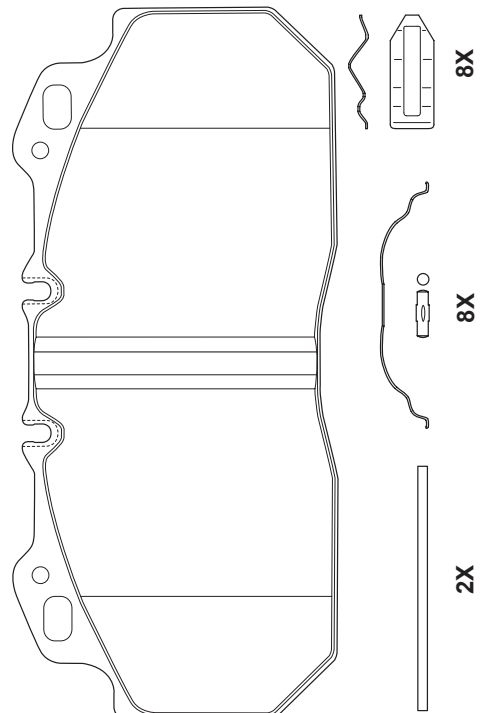
DAF







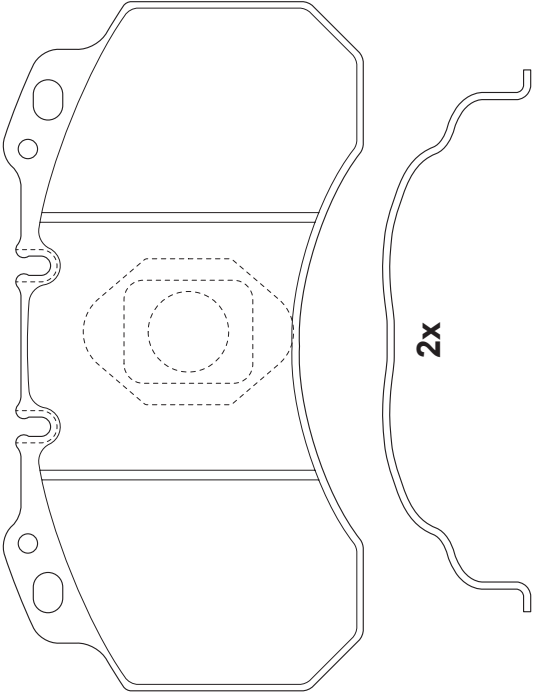
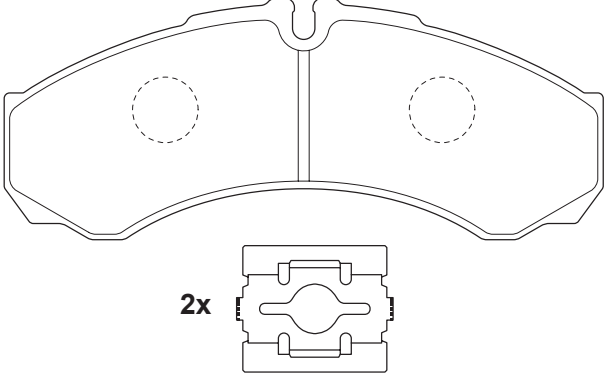







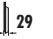
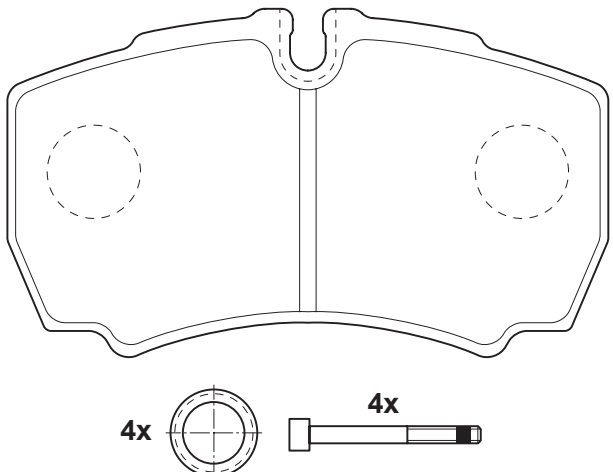
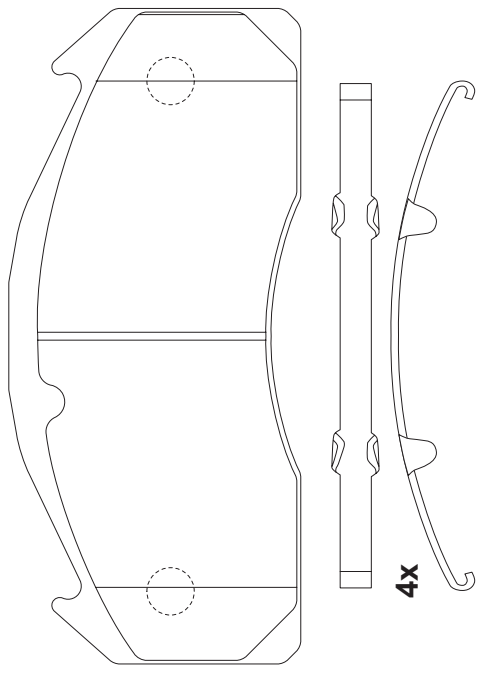
SH09002

WVA 29090

RVI, VOLVO



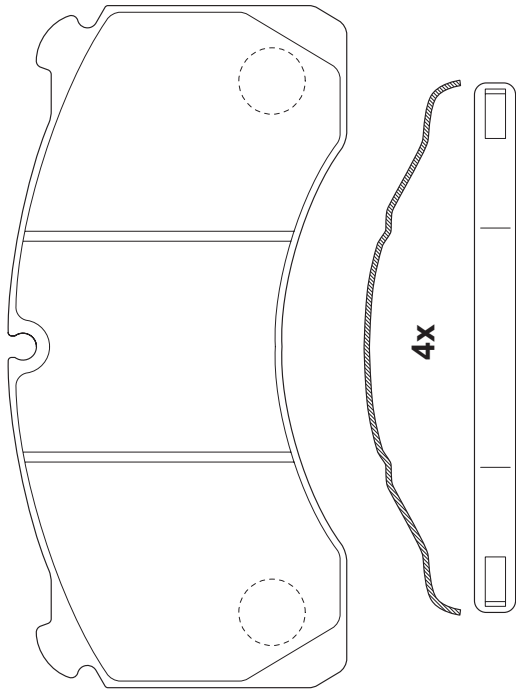
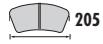
SH1002		WVA 29100		SH12102		WVA 29121			
NISSAN Atleon Range, RVI		 214	 112	 25	IVECO Daily		 165	 66	 20
									

SH12302		WVA 29123		SH12502		WVA 29125 / 29277			
IVECO Daily		 109,5	 64	 20	ROR, Volvo		 250	 111	 29
									

SH12402

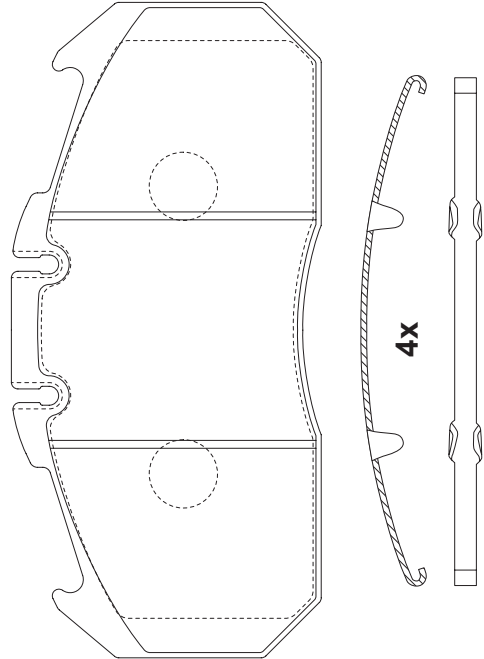
WVA 29124

ROR Trailers

**SH13102**

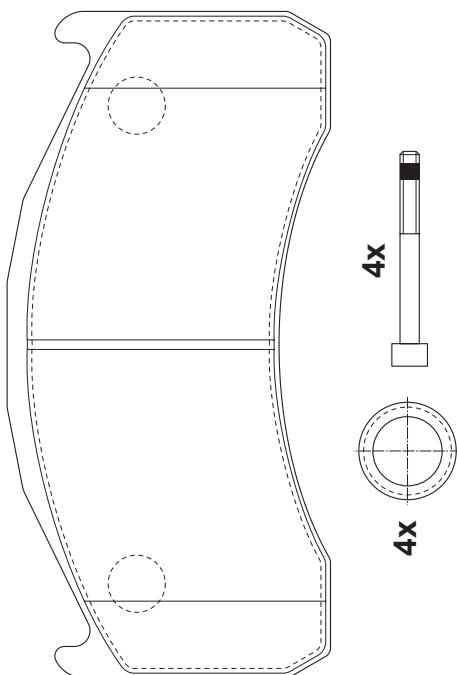
WVA 29131

MAN, ERF

**SH13702**

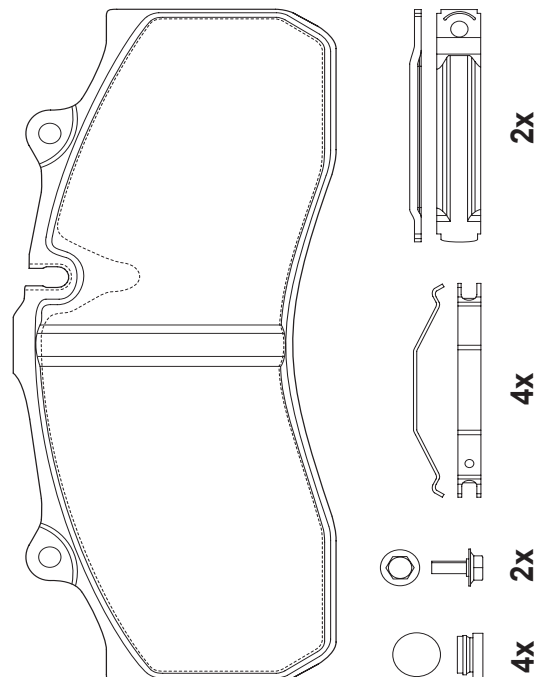
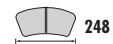
WVA 29137

Volvo Truck

**SH14302**

WVA 29143

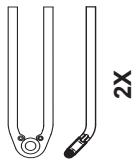
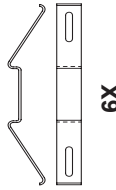
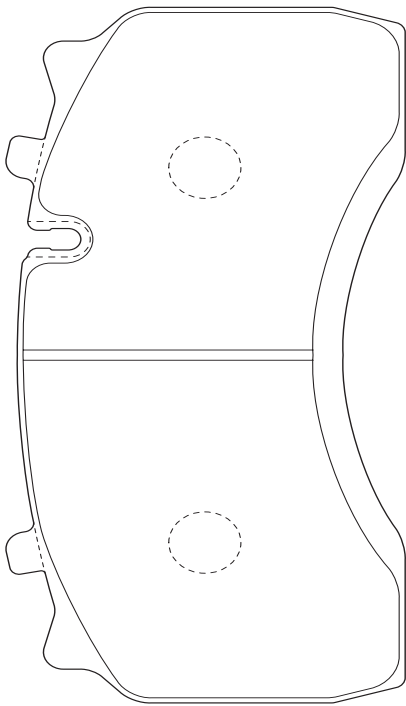
Discos, SAF, SMB



SH14202

WVA 29142

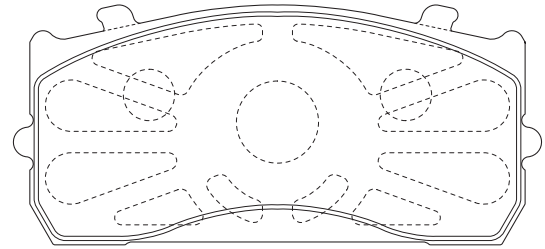
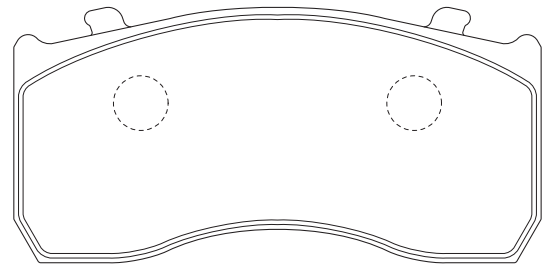
RVI/DAF



SH11502

WVA 29115 / 29148

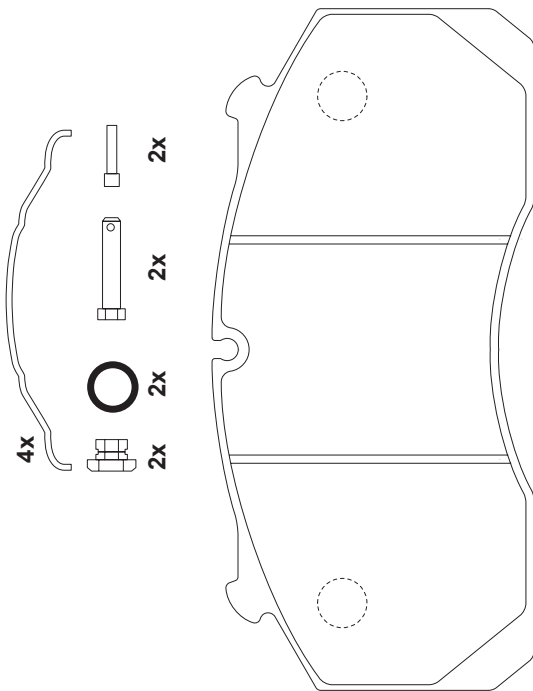
MERCEDES BENZ



SH15302

WVA 29153

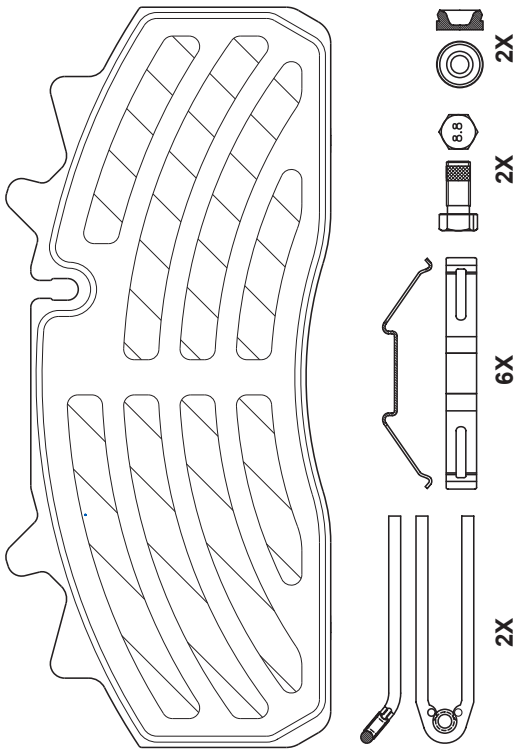
MERCEDES Sprinter, VW LT



SH15902

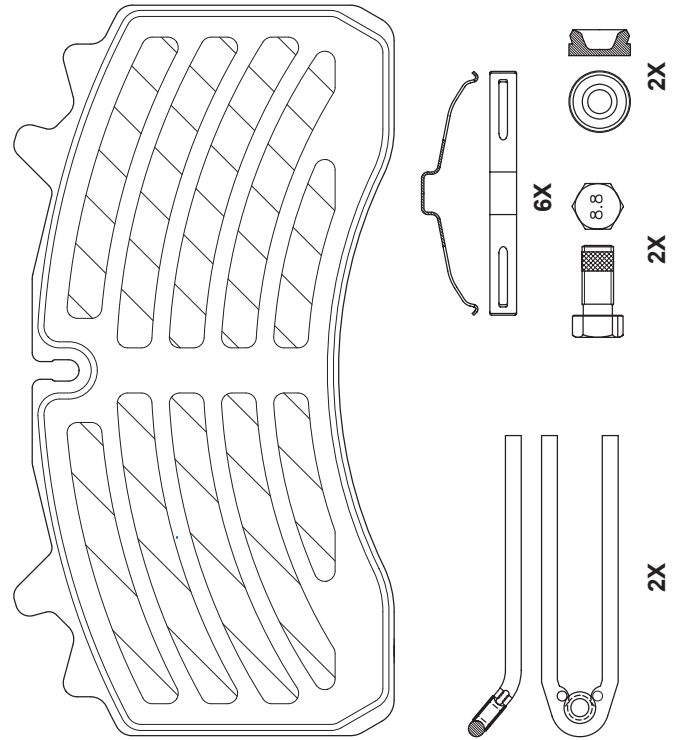
WVA 29159 / 29313

SAF

**SH16202**

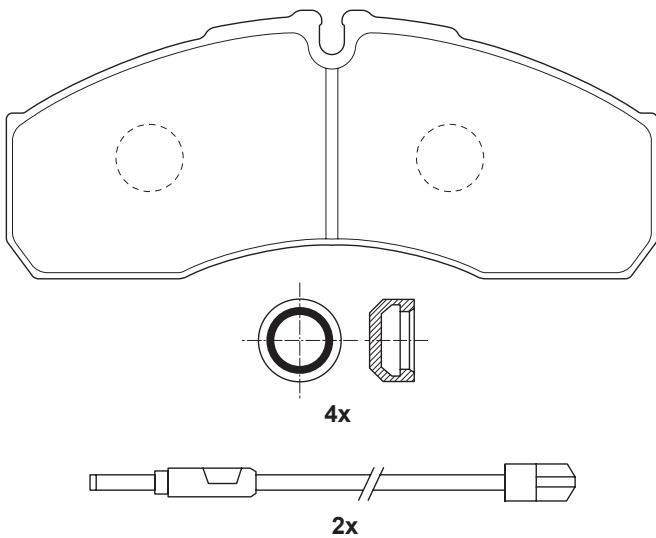
WVA 29162 / 29336

SAF

**SH16002**

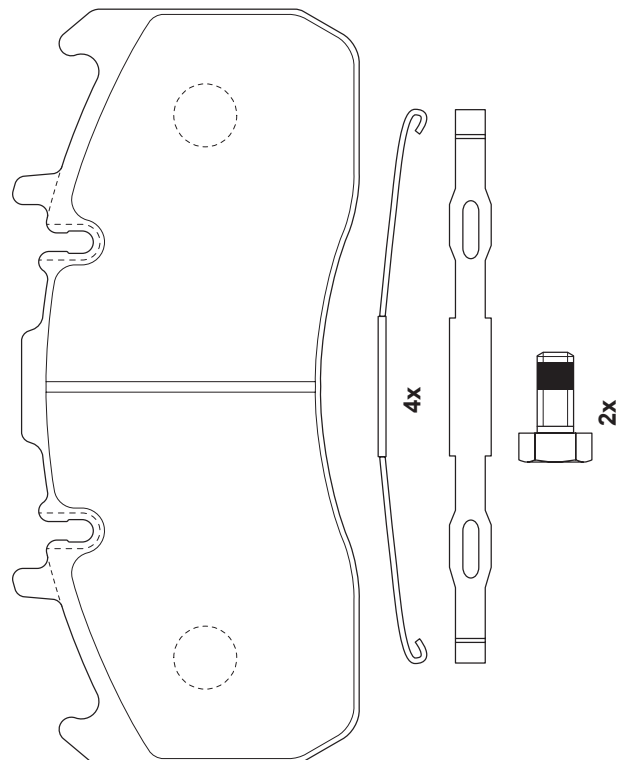
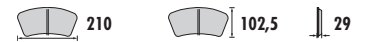
WVA 29160

MERCEDES Sprinte

**SH16902**

WVA 29169

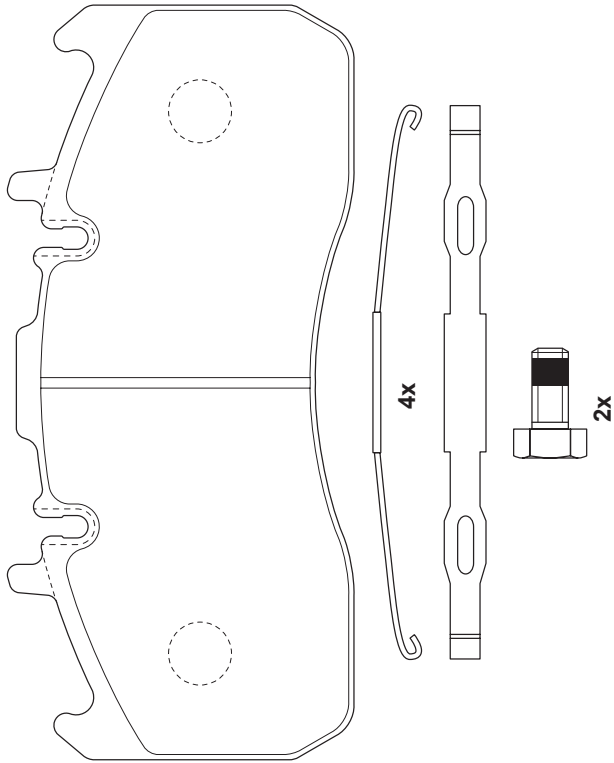
Volvo Truck / Renault Truck



SH17302

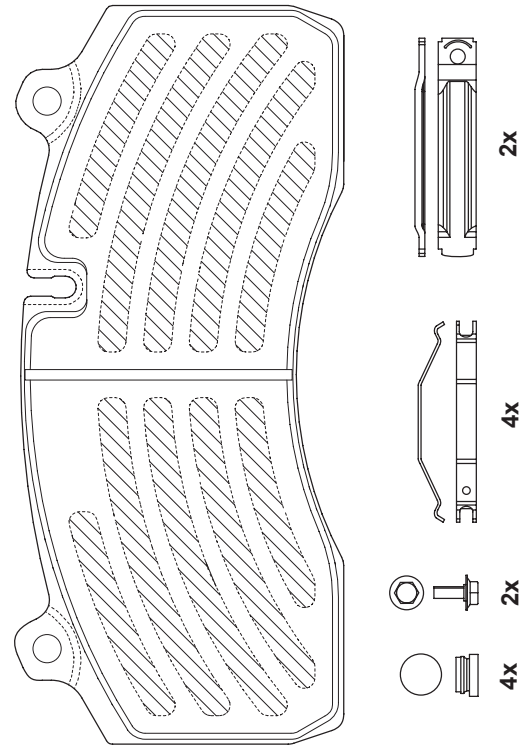
WVA 29173

RVI, VOLVO

**SH18102**

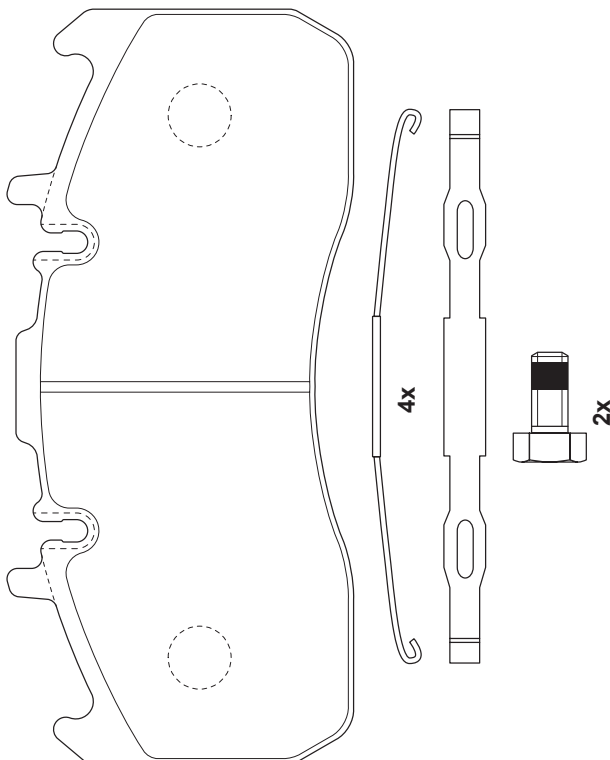
WVA 29181

GIGANT/RVI/VOLVO

**SH17402**

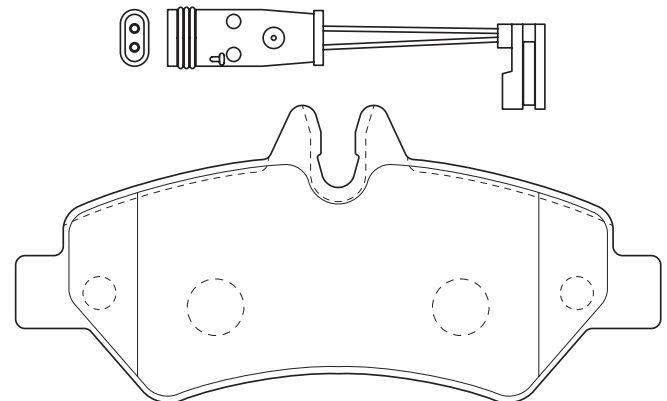
WVA 29174

RVI, VOLVO

**SH19002**

WVA 29190

RVI Mascott 5/5,5/6/6,5 T



SH19202

WVA 29192

MERCEDES Sprinter/VW Crafter 3T 06



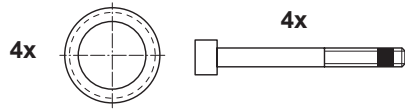
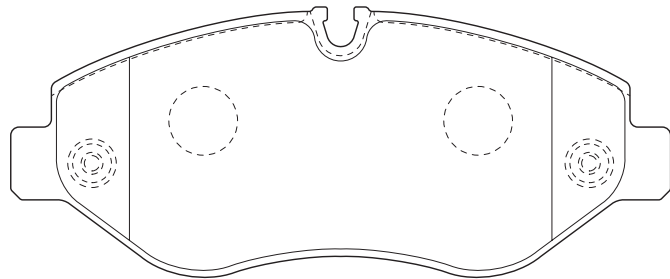
163



67



21



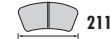
4x

4x

SH21302

WVA 29213

MAN TG1 13T ALLRAD



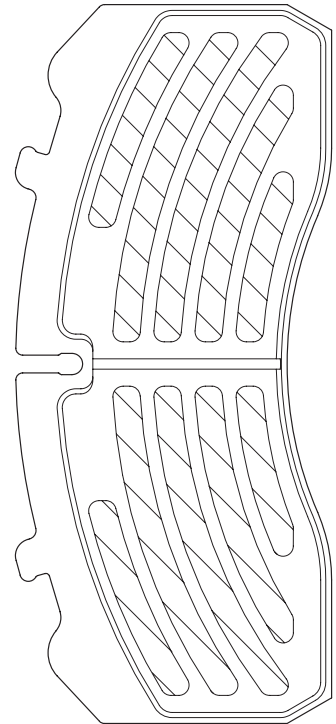
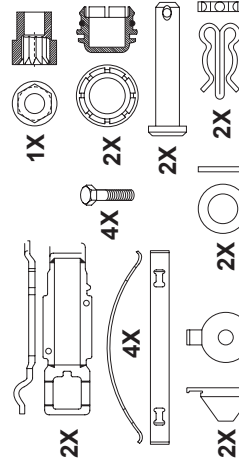
211



92.5



30

**SH20002**

WVA 29200

MERCEDES Sprinter/VW Crafter 5T 06 →



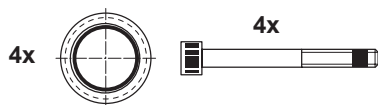
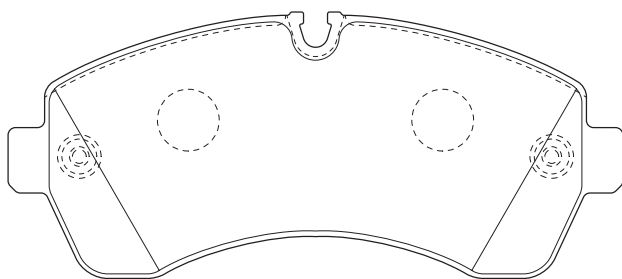
169,5



73,5



20,5



4x

4x

SH21702

WVA 29217

MERCEDES Sprinter/VW Crafter 5T 06 →



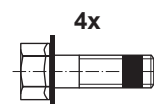
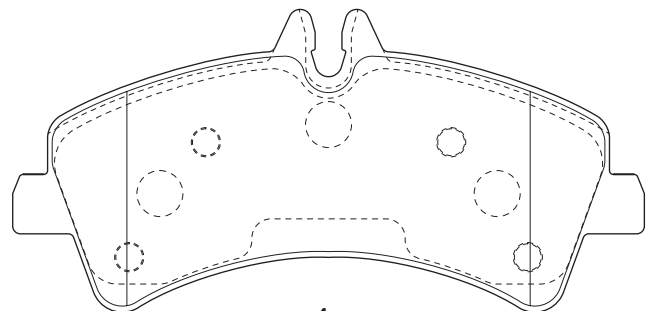
165



78,5



20,5

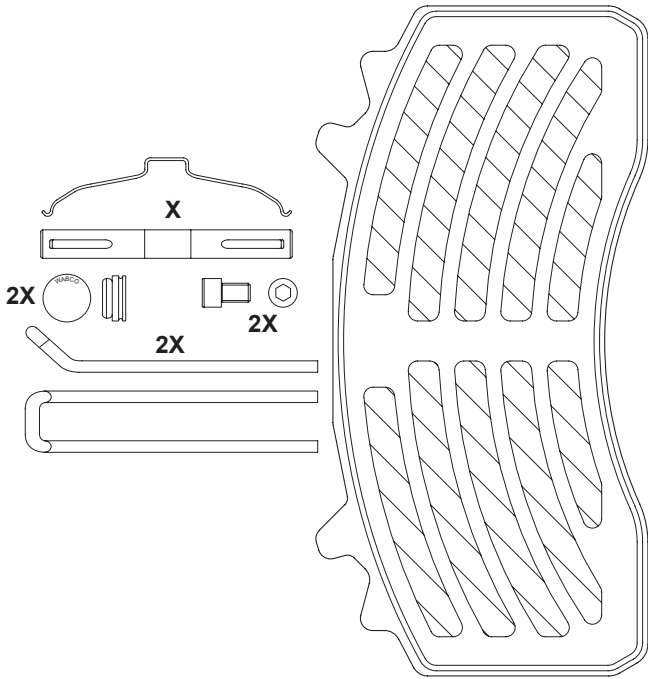


4x

SH22302

WVA 29223

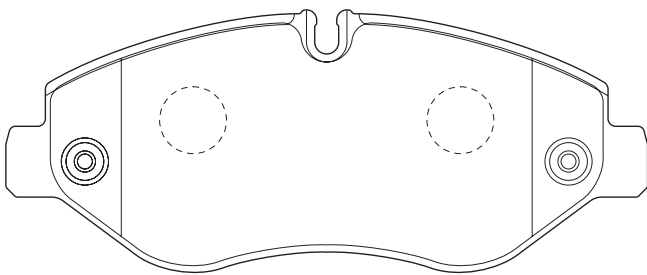
MAN TGX, TGS



SH22902

WVA 29229

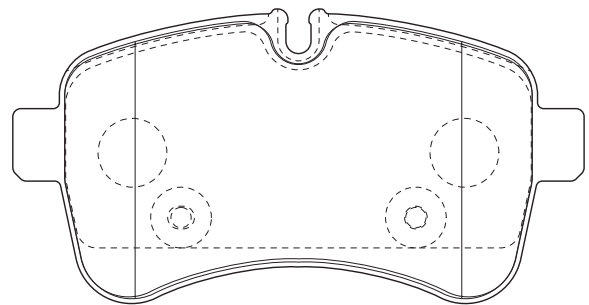
RENAULT Maxity



SH23202

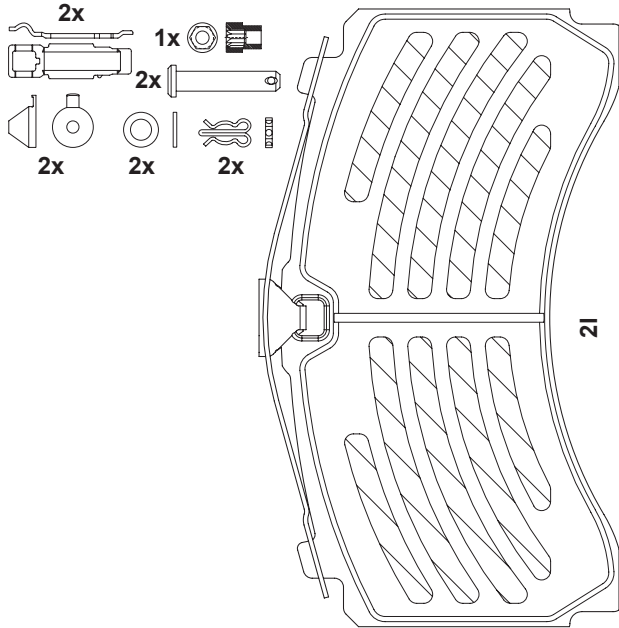
WVA 29232

IVECO Daily III

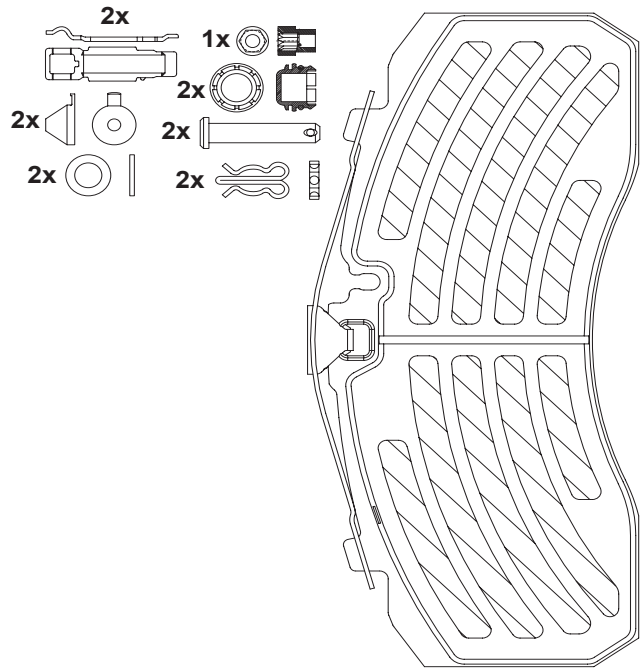


SH24402

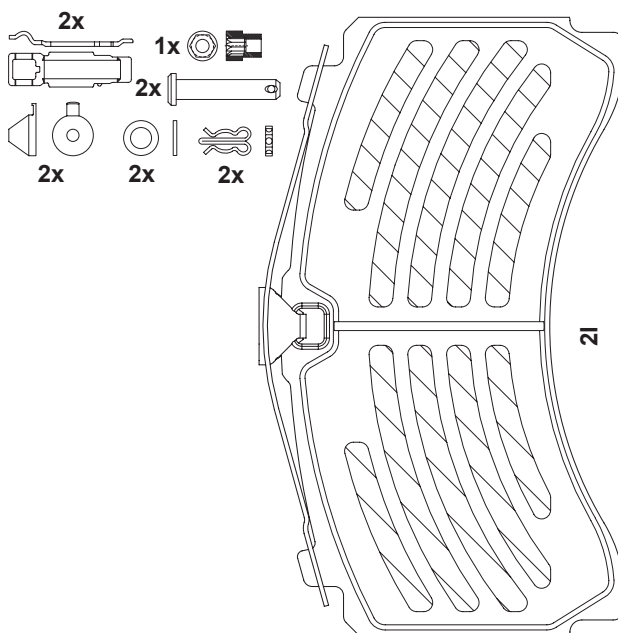
WVA 29244 / 29245

MERCEDES Actros IV (rear)**SH10802**

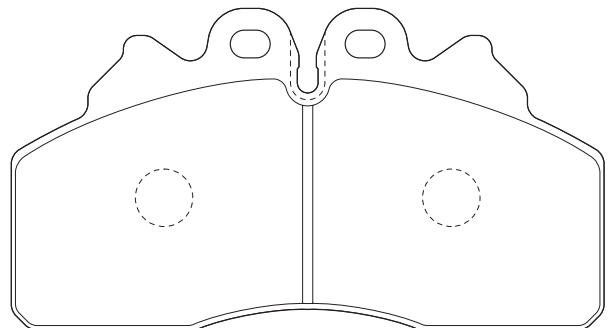
WVA 29252 / 29278

MERCEDES BENZ, IVECO, MAN**SH24602**

WVA 29246/29247

MERCEDES Actros IV (front)**SH25602**

WVA 29256

IVECO Eurocargo 2008 onwards

SH17102

WVA 29257

SAF Trailers



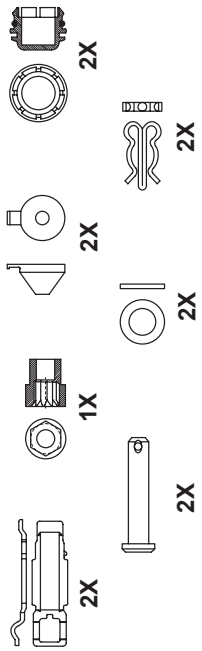
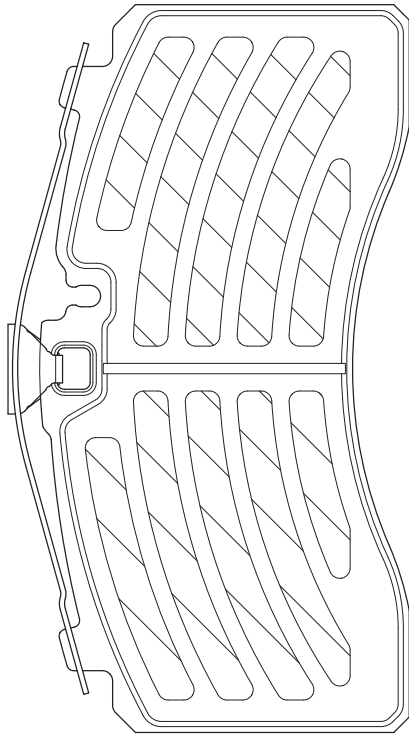
211



108



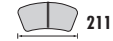
30



SH26402

WVA 29264 / 29308

BPW (Double notch)



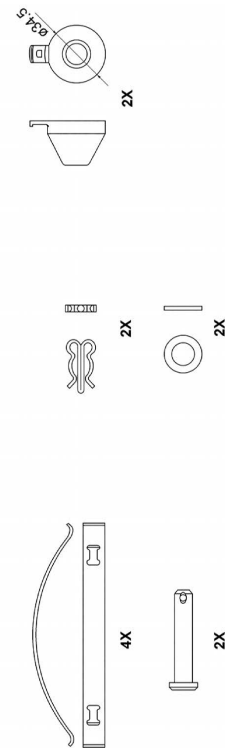
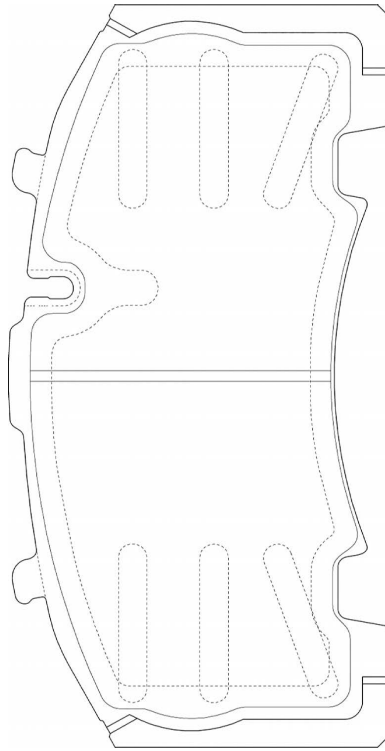
211



108



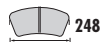
30



SH26302

WVA 29263

BPW (Double notch)



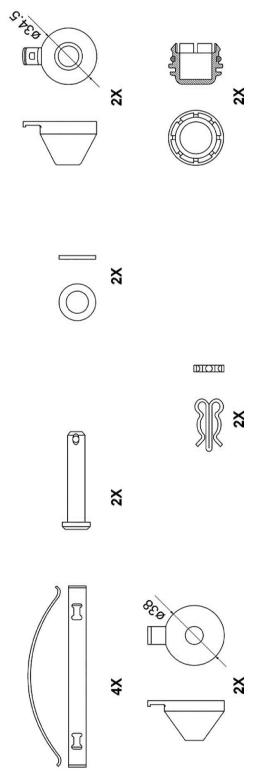
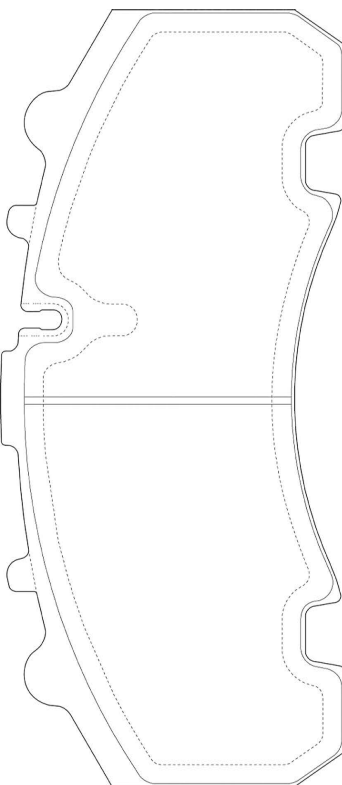
248



109,5



30



SH26502

WVA 29265 / 29306

BPW (Double notch)



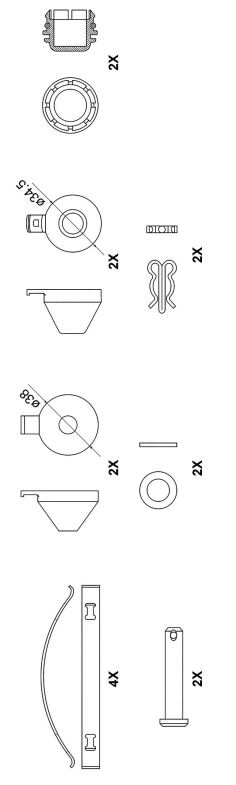
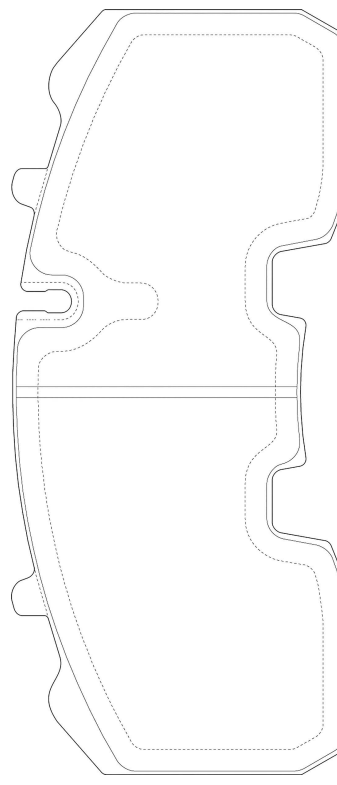
211



93



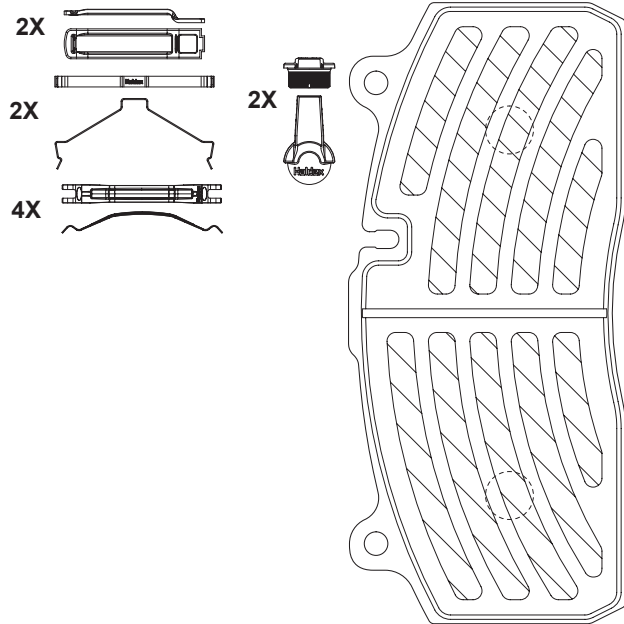
30



SH27402

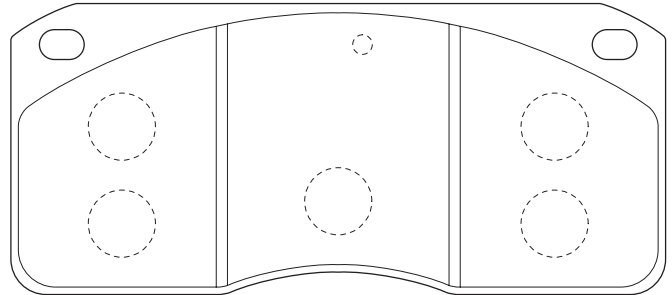
WVA 29274 / 29175

SAF Axle

**SH30202**

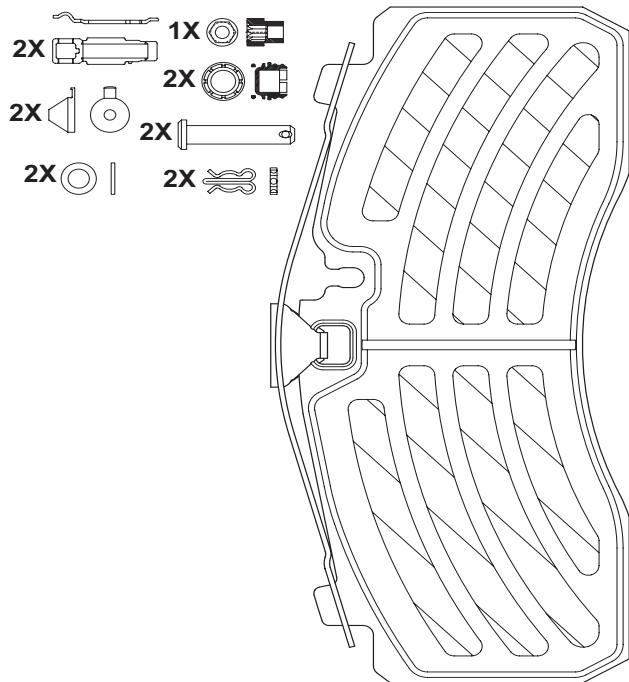
WVA 29302

AWD, Volvo

**SH09502**

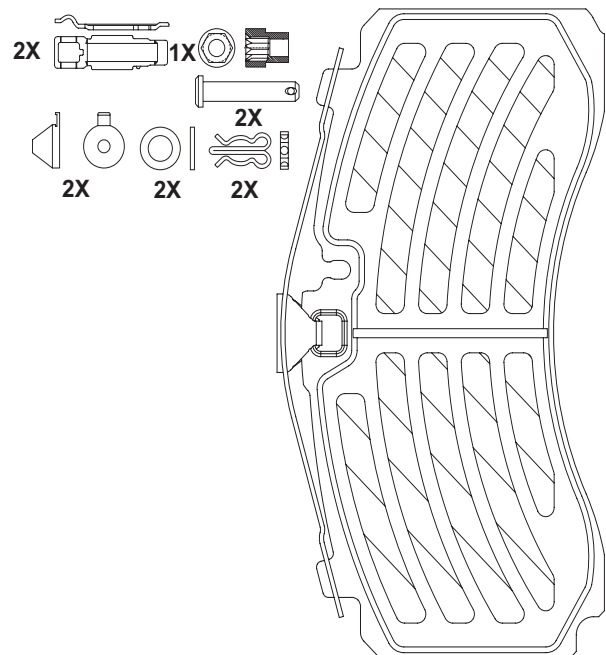
WVA 29287 / 29320

IVECO, MAN, MERCEDES BENZ

**SH31802**

WVA 29318 / 29319

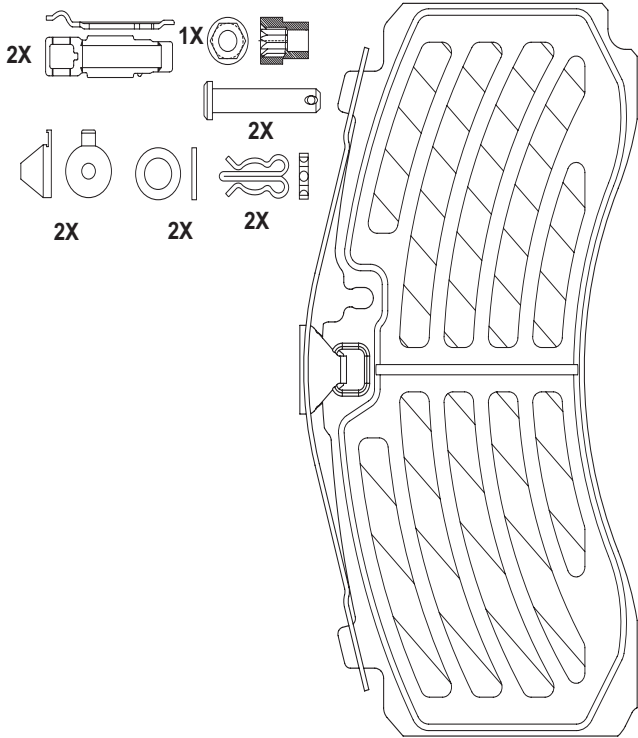
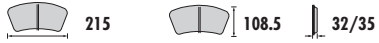
SAF Axle



SH32802

WVA 29328 / 29329

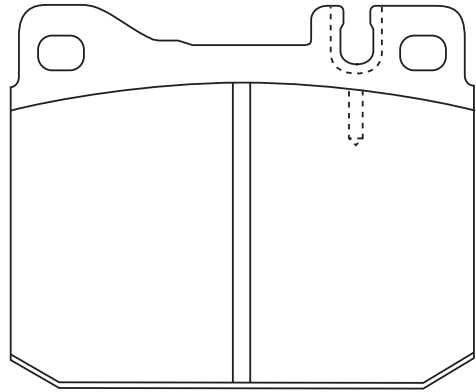
Schmitz CargoBull Axle



SH55402

WVA 29554

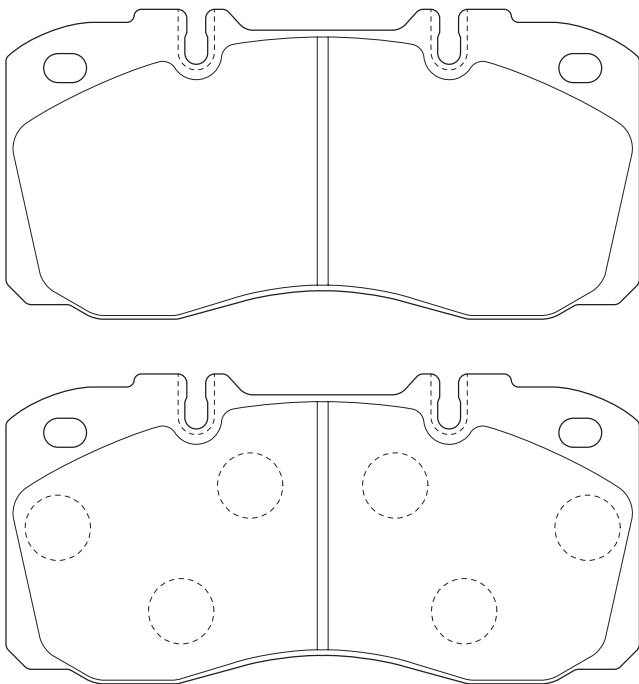
MERCEDES Unimog



SH37402

WVA 29374

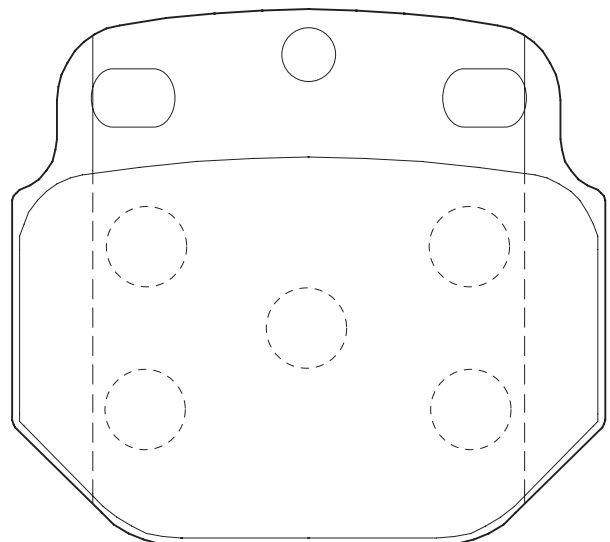
IVECO



SH68802

WVA 29688

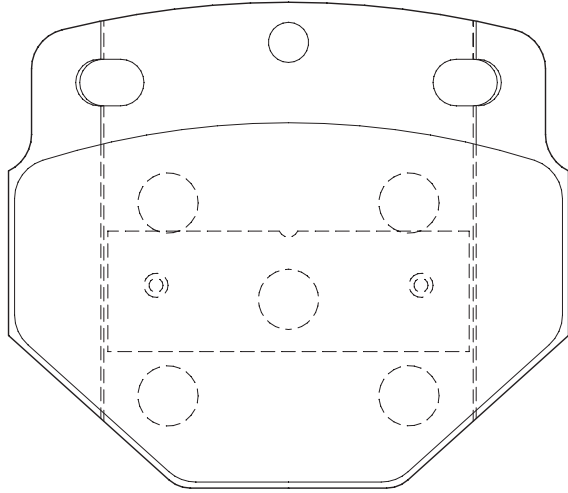
AUWÄRTER, IVECO



SH74702

WVA 29747

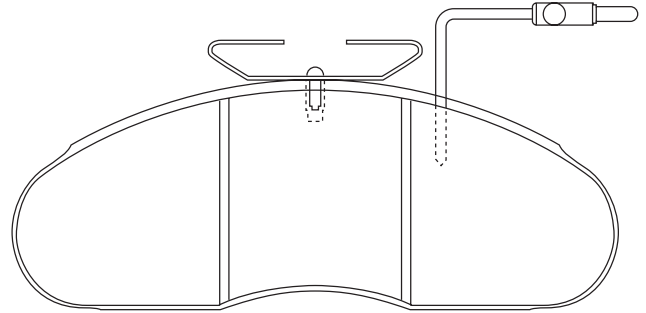
BOVA, DAF, MAN, NEOPLAN, SETRA, VAN HOOL



SH98402

WVA 29984

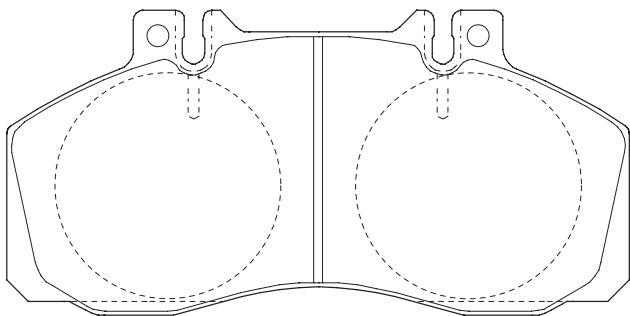
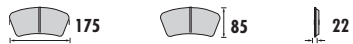
NISSAN Trade



SH83502

WVA 29835

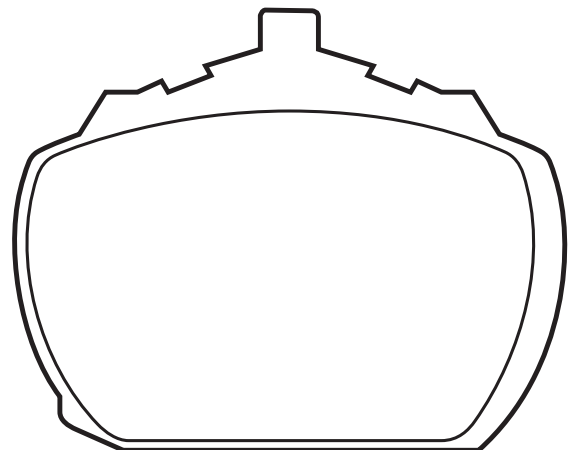
MERCEDES BENZ



SH36402

WVA 20364

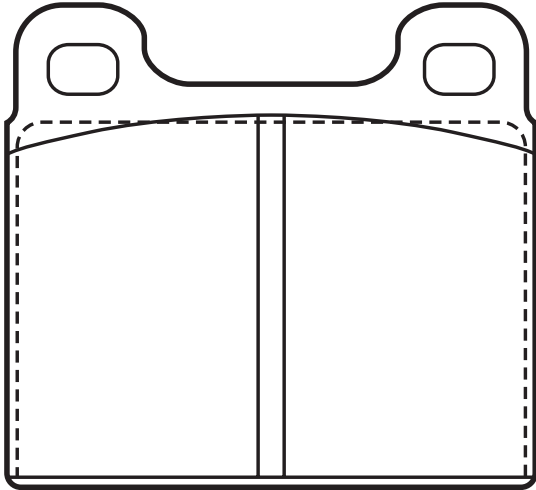
FORD Transit



SH20011

WVA 20011

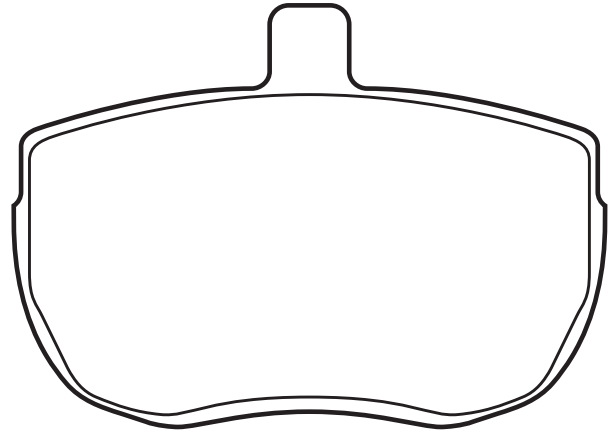
VOLKSWAGEN



SH35902

WVA 20359

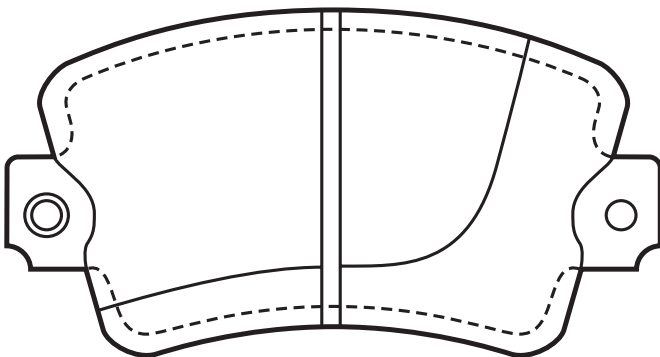
FORD Transit, IVECO Daily



SH57002

WVA 20570 / 20488

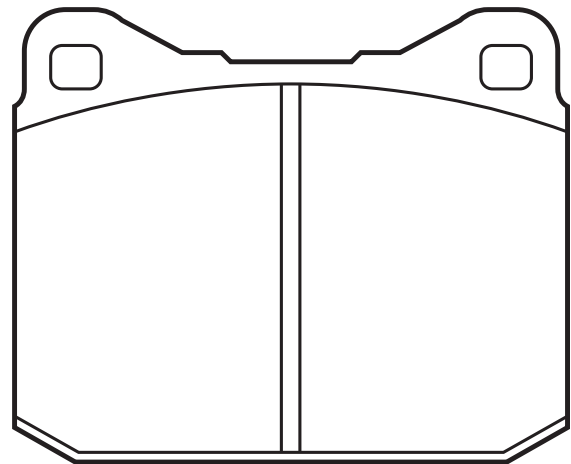
RENAULT Trafic



SH28002

WVA 20280

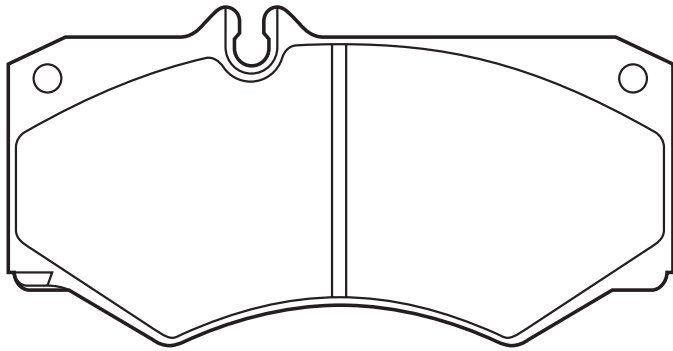
VOLKSWAGEN



SH78402

WVA 20784

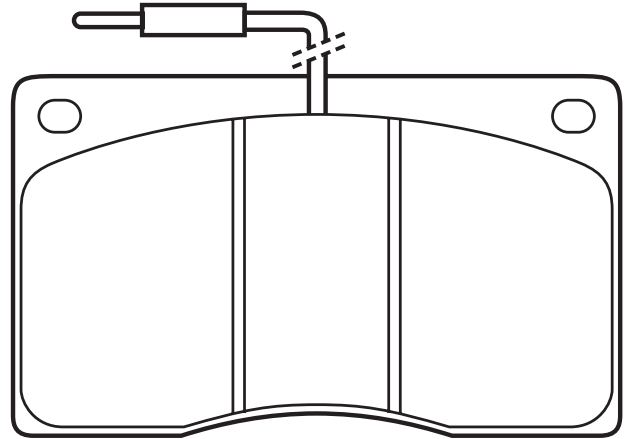
MERCEDES Sprinter



SH38002

WVA 20380

IVECO Daily, Grinta



SH92702

WVA 20927

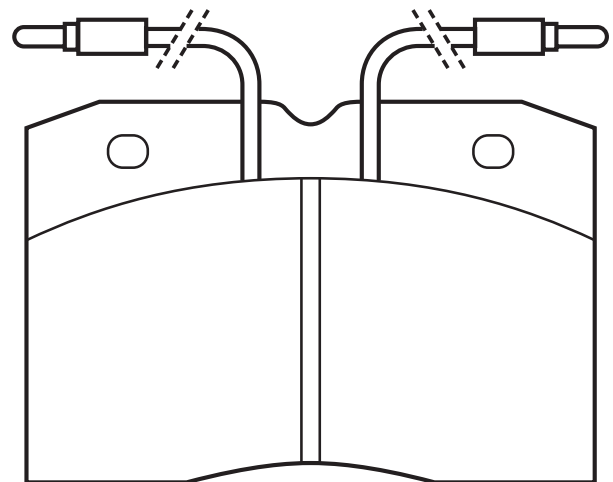
RENAULT Trafic



SH04802

WVA 21048

IVECO Daily, Grinta



SH14102

WVA 21141

FORD Transit



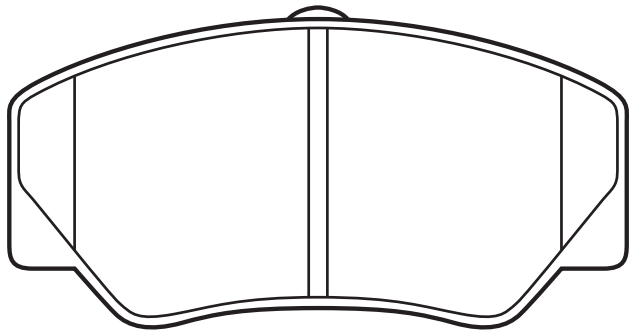
114



58



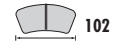
18



SH75902

WVA 20759

IVECO Daily



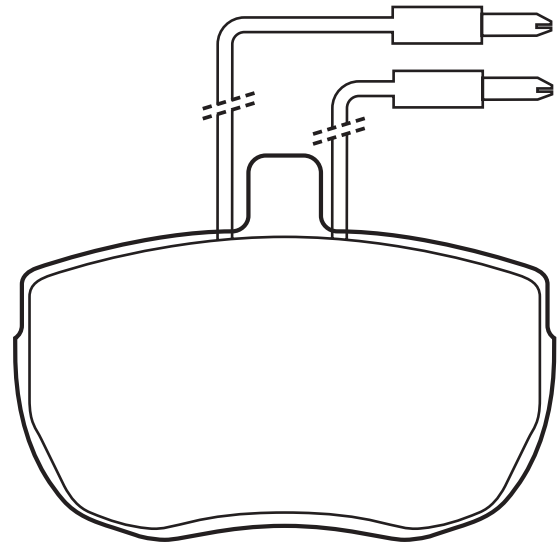
102



75



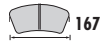
18



SH07102

WVA 29071

RVI B



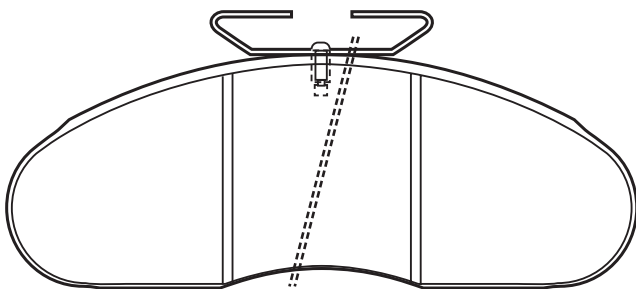
167



62



17



SH97902

WVA 20979

VW Transporter T2, T3, LT



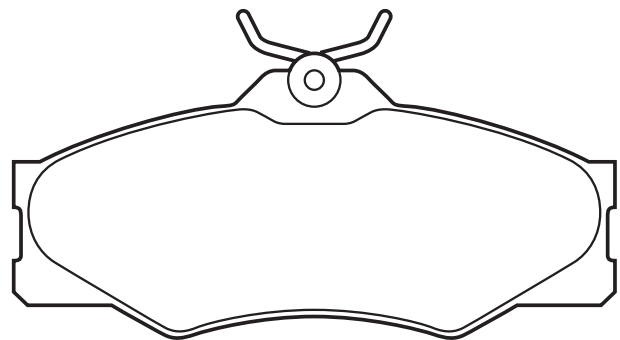
130



56



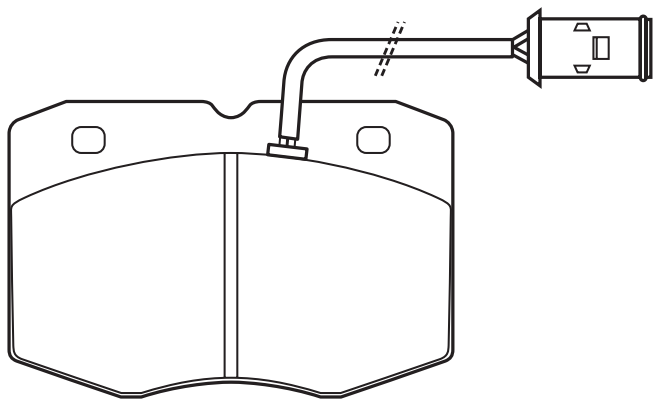
19,5



SH03702

WVA 29037

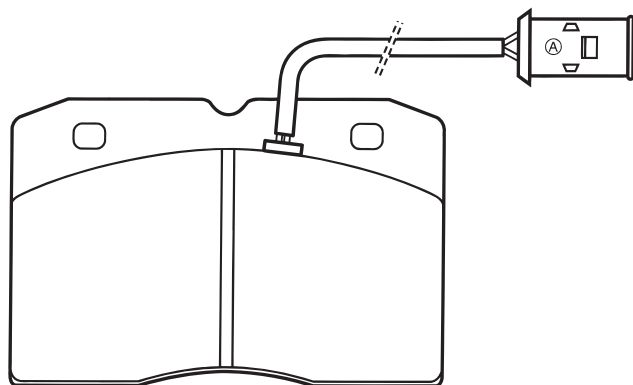
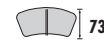
IVECO Daily, Grinta



SH62002

WVA 21620

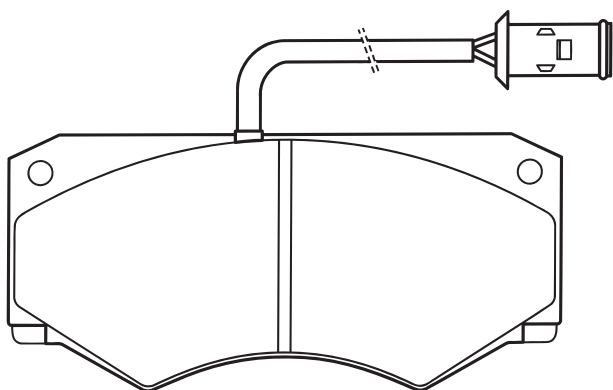
IVECO Daily, Grinta



SH01202

WVA 29012

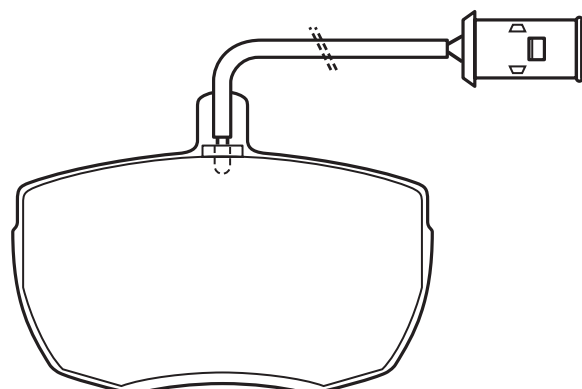
IVECO Daily, Daily II



SH48002

WVA 21480

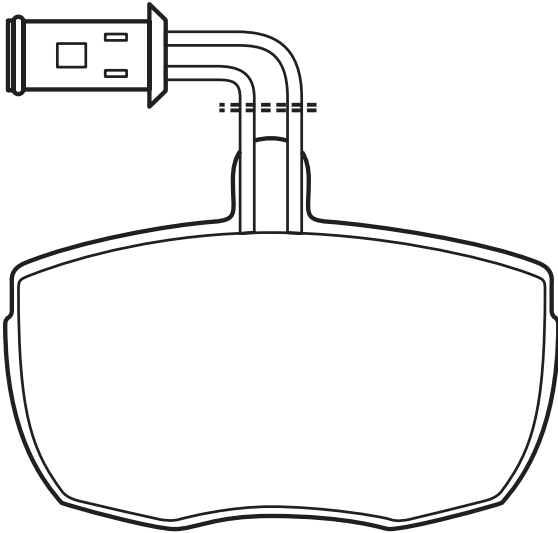
IVECO Daily



SH65302

WVA 20653

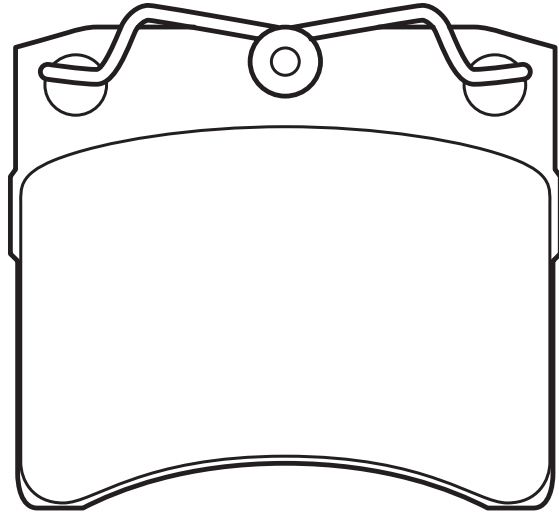
IVECO Daily



SH65202

WVA 20652

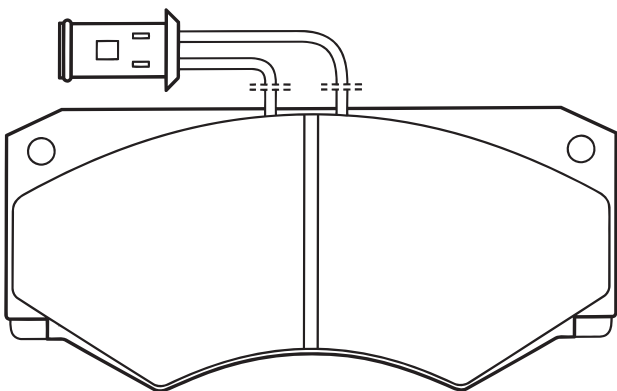
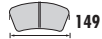
VOLKSWAGEN



SH46502

WVA 20465

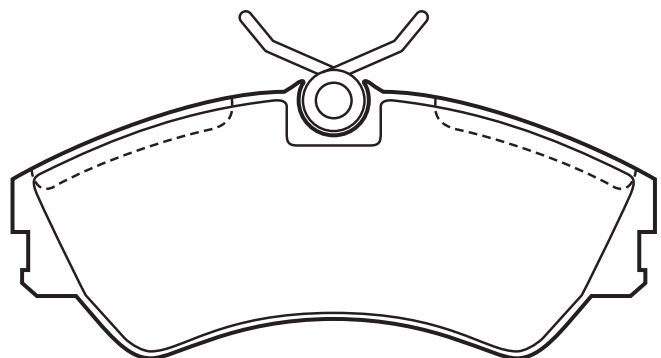
IVECO Daily, Grinta, Mercedes Benz



SH20124

WVA 20124

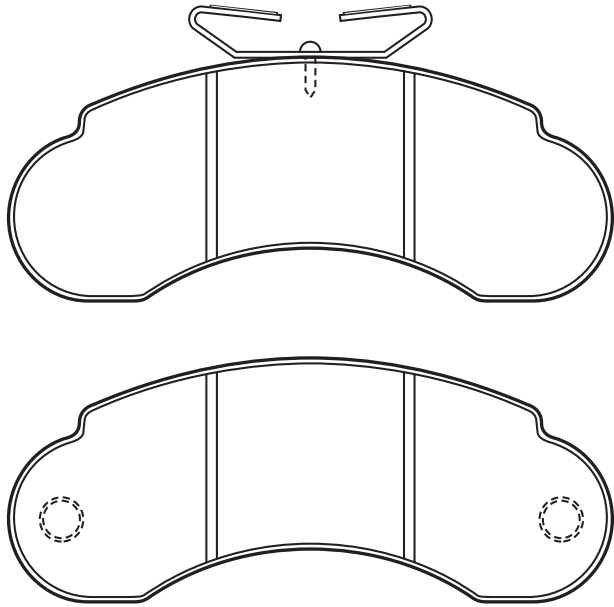
VW Transporter T4



SH57302

WVA 21573

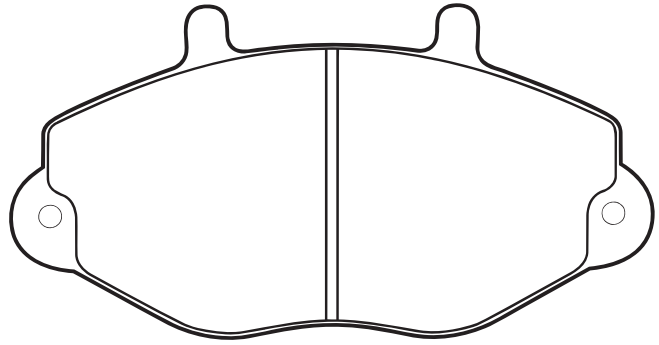
MERCEDES MB100



SH46902

WVA 21469

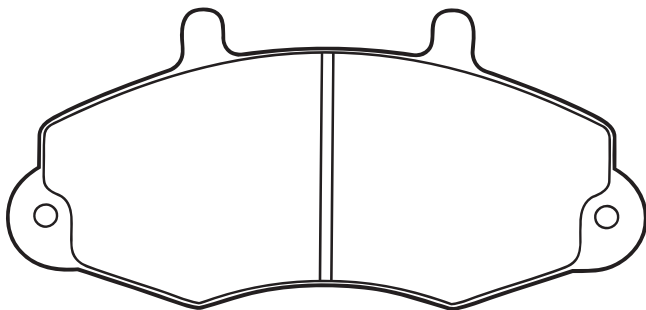
FORD Transit



SH47002

WVA 21470

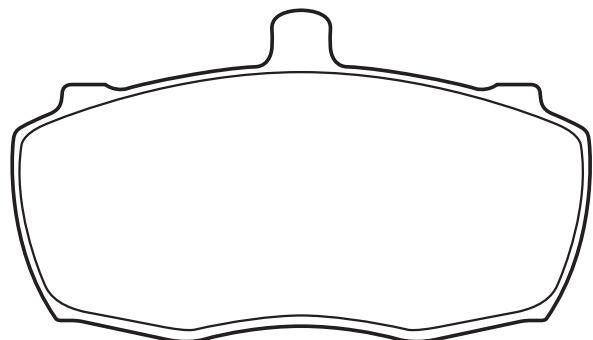
FORD Transit



SH90402

WVA 20904

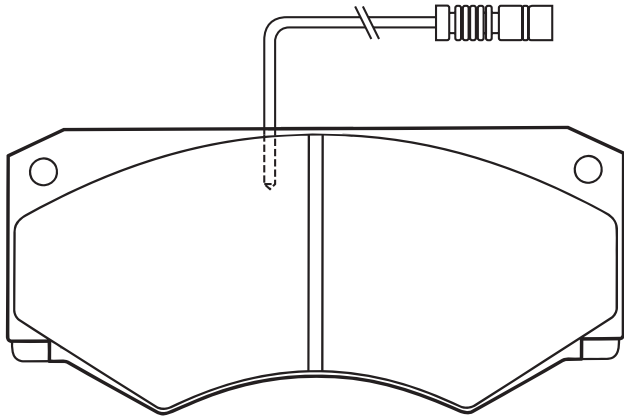
RVI



SH18602

WVA 21186

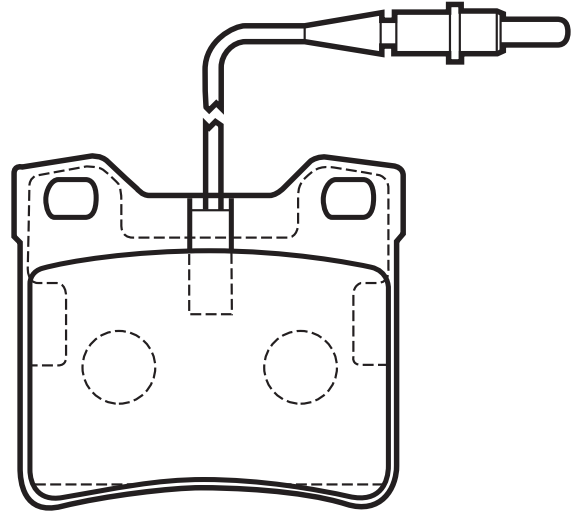
MERCEDES Sprinter



SH27902

WVA 21279 / 21278

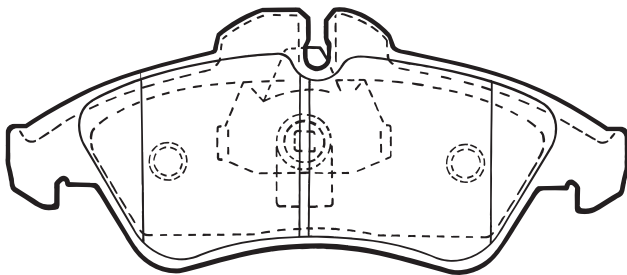
MERCEDES Sprinter, Vito



SH57602

WVA 21576

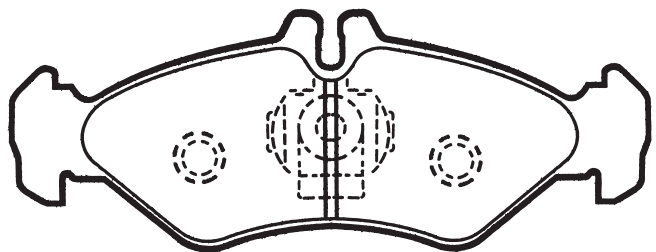
MERCEDES Sprinter, Vito VW LT



SH62102

WVA 21621

MERCEDES Sprinter, VOLKSWAGEN LT



SH47802

WVA 21478

VW Transporter T4



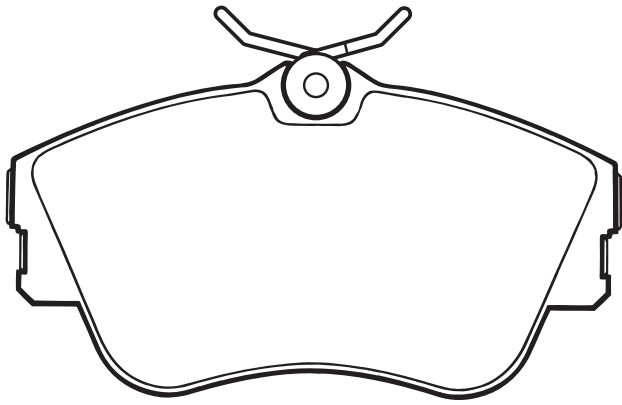
130



65,5



19



SH88202

WVA 21882

VW Transporter T4



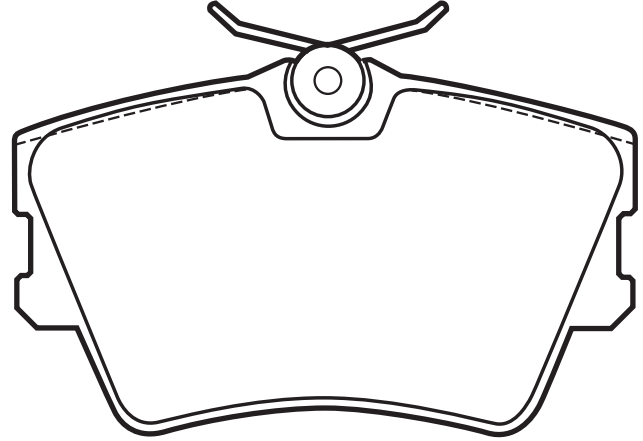
95



57,5



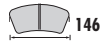
17,5



SH93402

WVA 20934

MERCEDES MB100



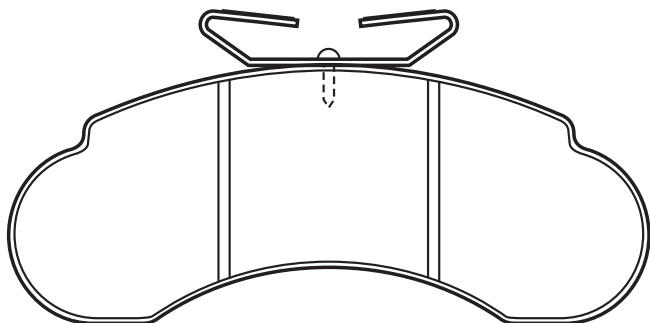
146



61



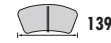
14



SH23302

WVA 23302

RENAULT Master



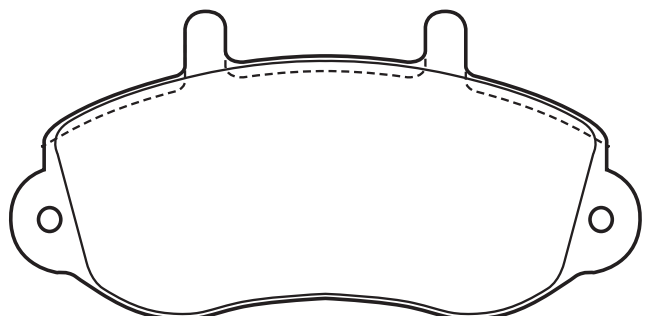
139



66,5



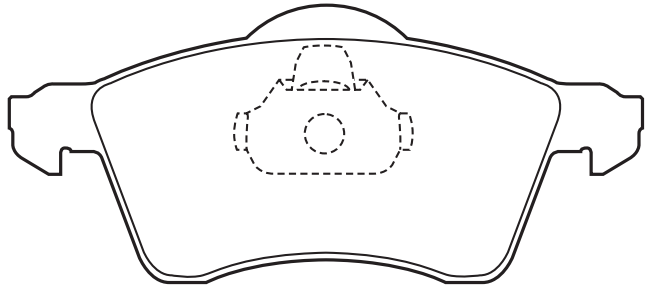
18



SH88302

WVA 21883

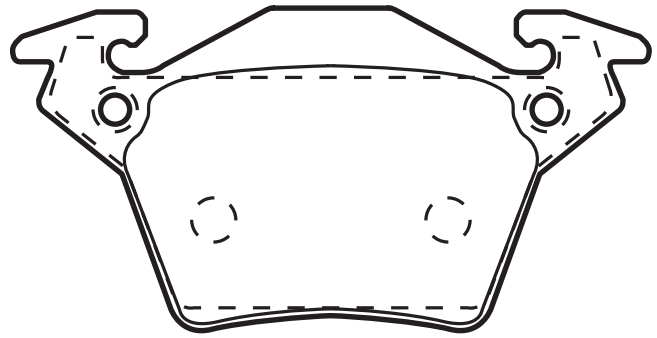
VW Transporter T4



SH02002

WVA 23020

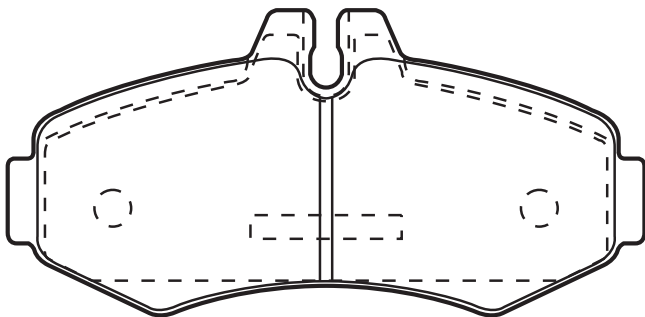
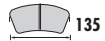
MERCEDES Vito



SH02202

WVA 23022

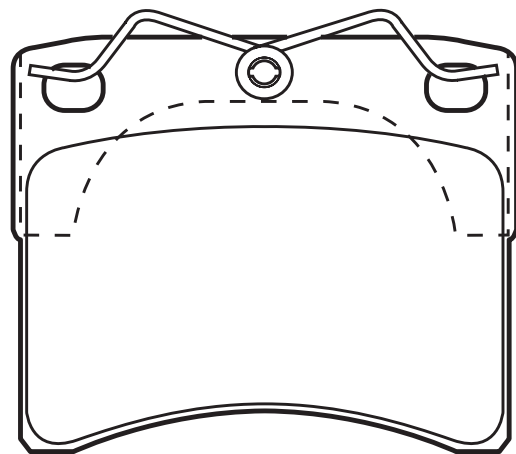
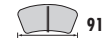
MERCEDES Sprinter, Vito



SH63402

WVA 21634 / 21635

VW Transporter T4



SH02102

WVA 23021

MERCEDES Sprinter, VW LT



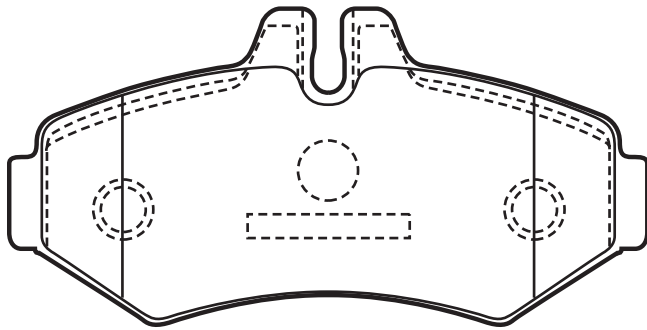
126



63



18,5

**SH43002**

WVA 23430

FORD Transit



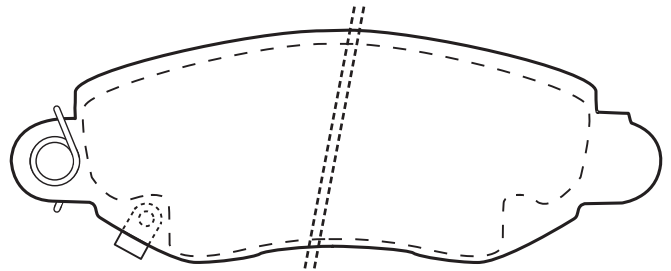
169



63,5

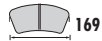


18,5

**SH43502**

WVA 23435

NISSAN Cabstar E



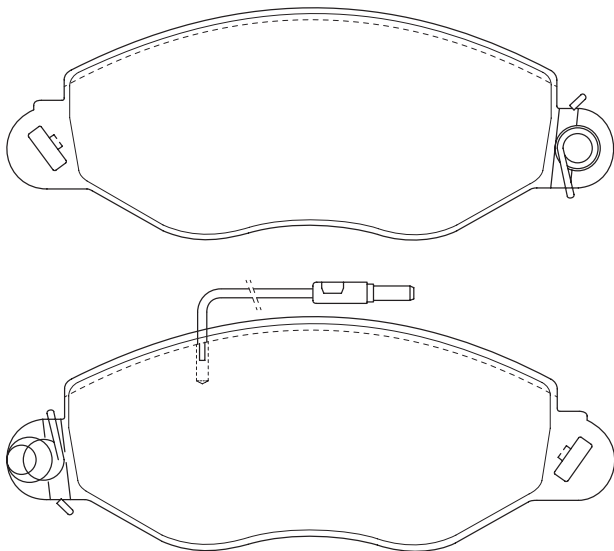
169



64,5



18

**SH03402**

WVA 23034

VW Transporter T4



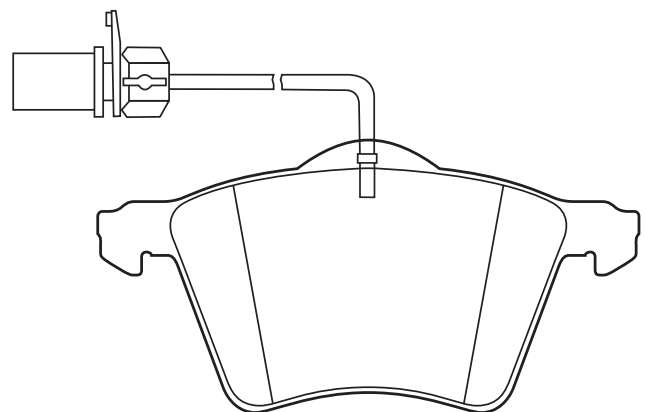
157




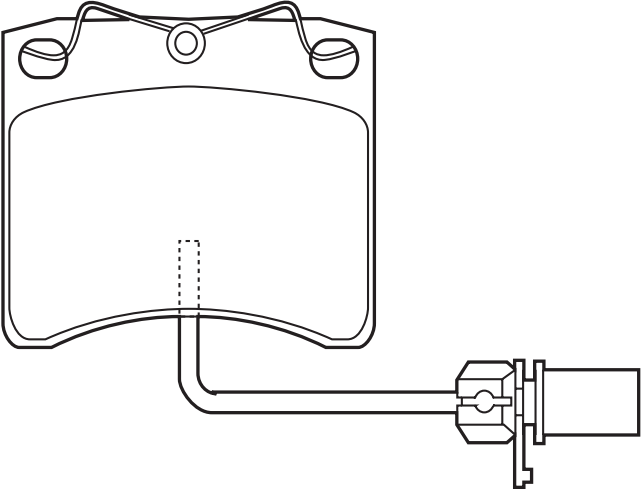
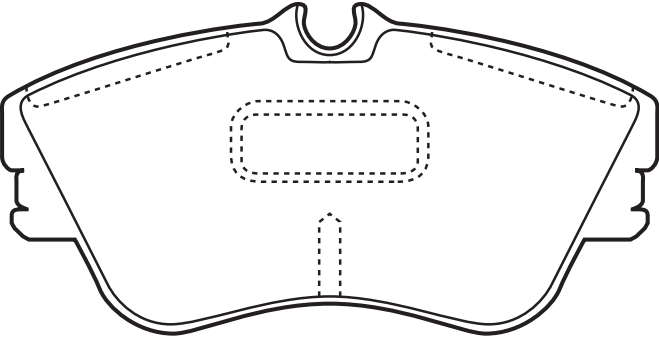





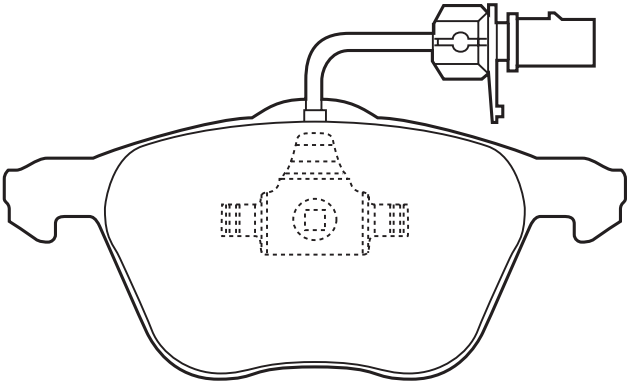
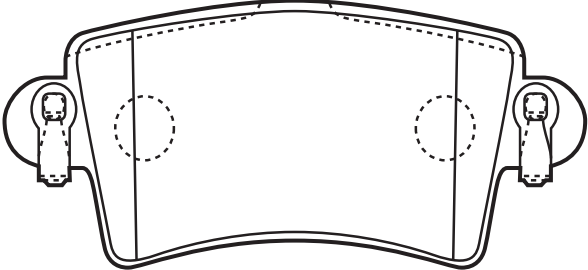
79



19



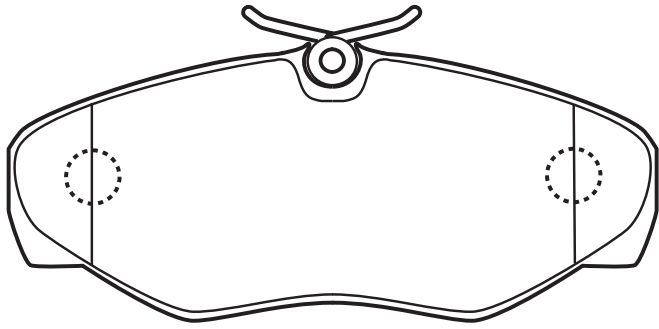
SH17602	WVA 23176	SH47902	WVA 21479
VW Transporter	 91	 81	 18
			

SH26902	WVA 23269	SH66902	WVA 23669
VW Transporter T4	 161	 73 / 74,5	 20
			

SH09902

WVA 23099

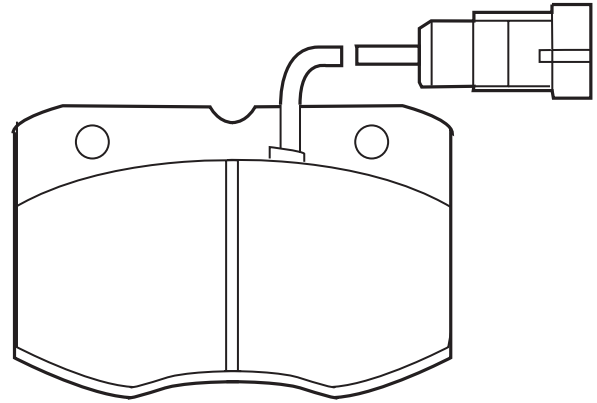
RENAULT Trafic



SH13902

WVA 29139

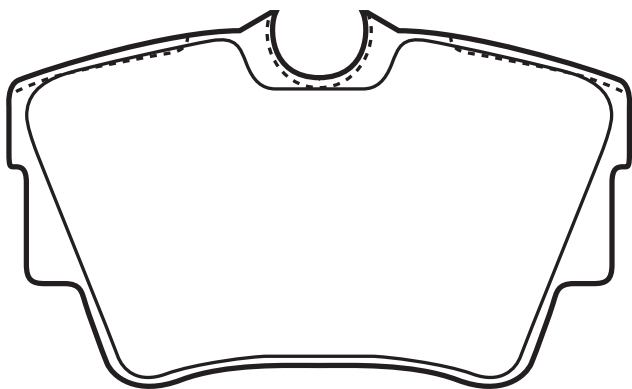
IVECO Daily, Daily II



SH98002

WVA 23980

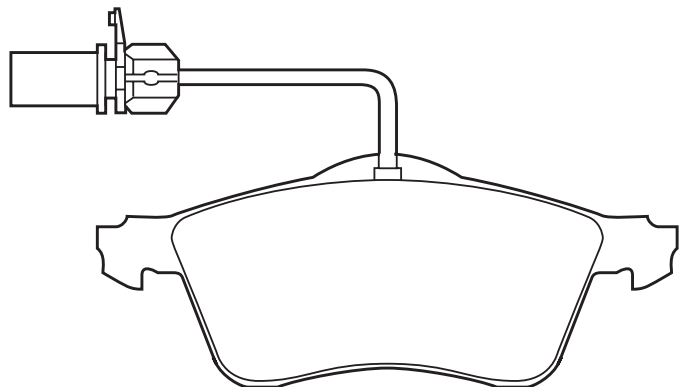
RENAULT Trafic



SH16302

WVA 23163

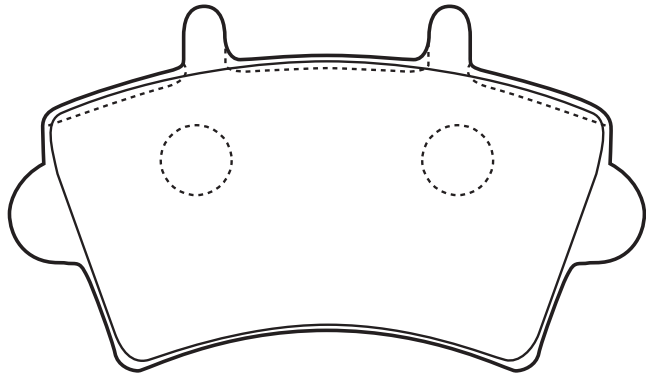
VW Transporter T4



SH61302

WVA 23613

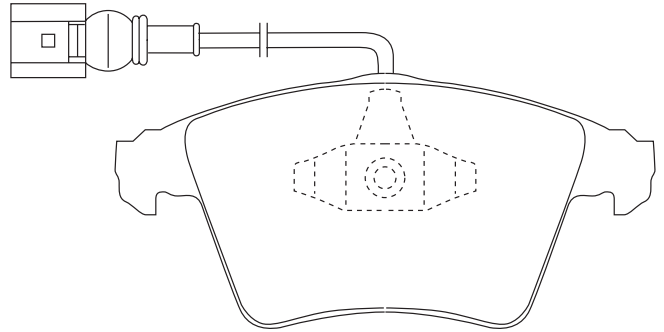
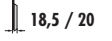
RENAULT Master



SH46802

WVA 23468

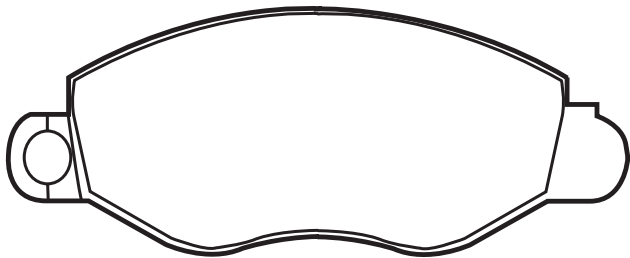
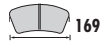
VW Transporter



SH84002

WVA 23840

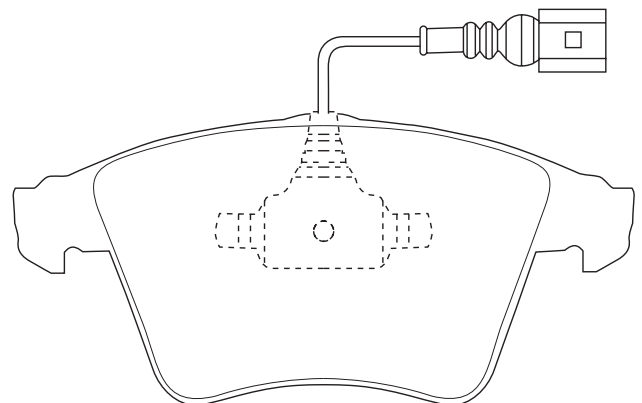
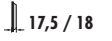
FORD Transit



SH23747

WVA 23747

VW Transporter T4



SH14002

WVA 29140

IVECO Daily, Daily II



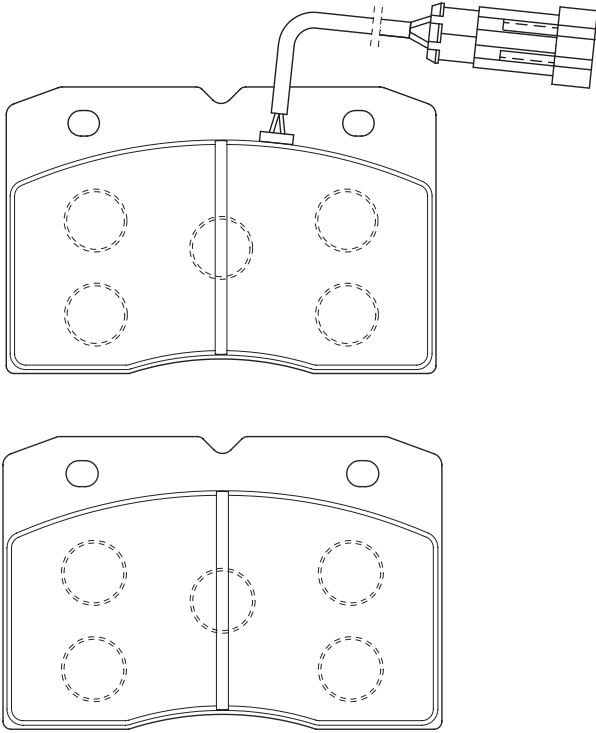
110



73



18,5

**SH32602**

WVA 23326

VW Transporter



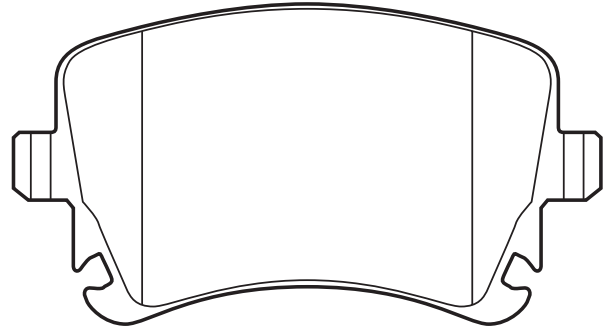
116



59



17,5

**SH90102**

WVA 23901

MERCEDES Sprinter



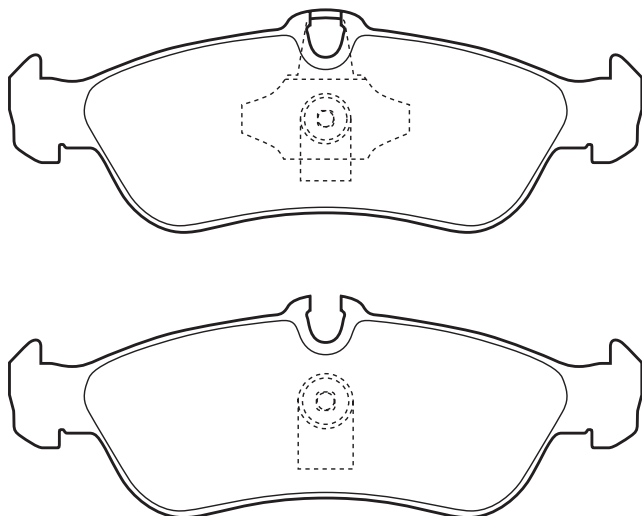
156



55



18,5

**SH00702**

WVA 24007

MERCEDES Vito



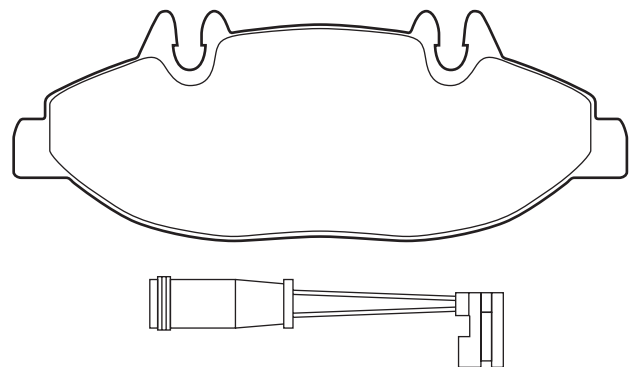
162



60,5



21



SH00802

WVA 24008

MERCEDES Vito



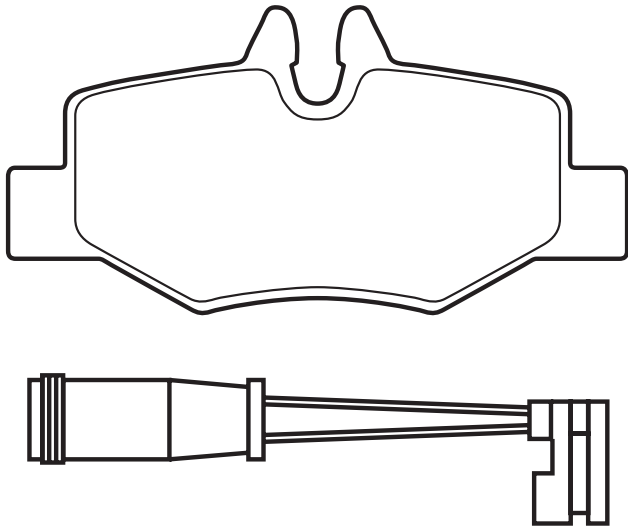
99



49



18,5

**SH48502**

WVA 24485

FORD Transit



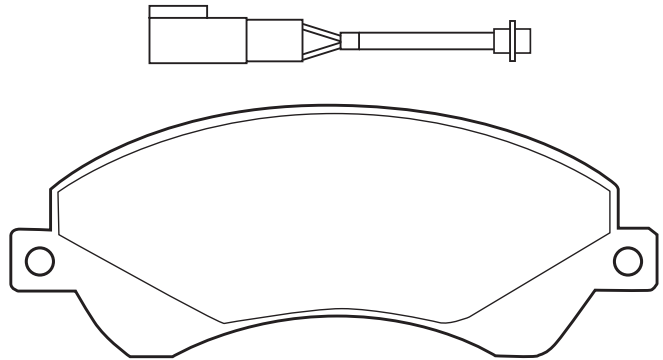
165



65



19

**SH48402**

WVA 24484

FORD Transit



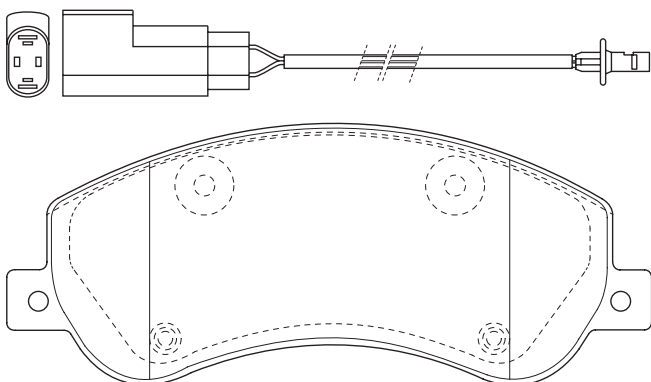
165



66,5

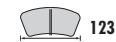


19

**SH48602**

WVA 24486

FORD Transit



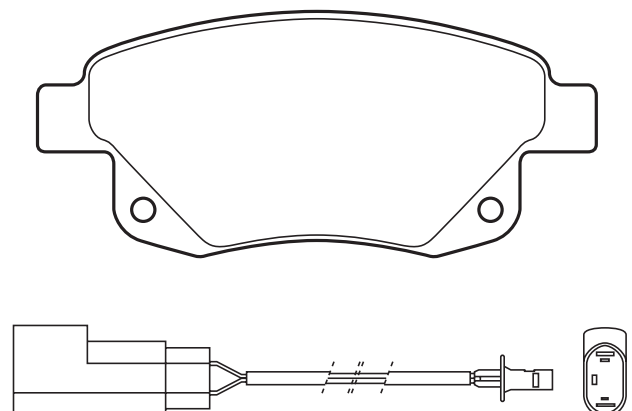
123



53,5



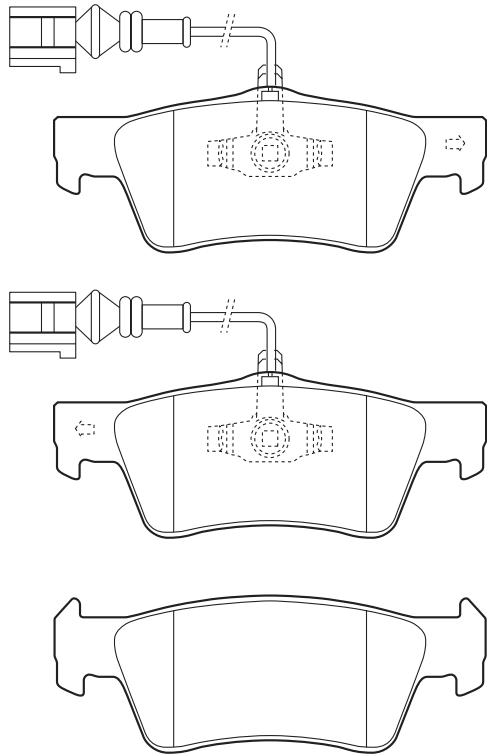
17



SH36702

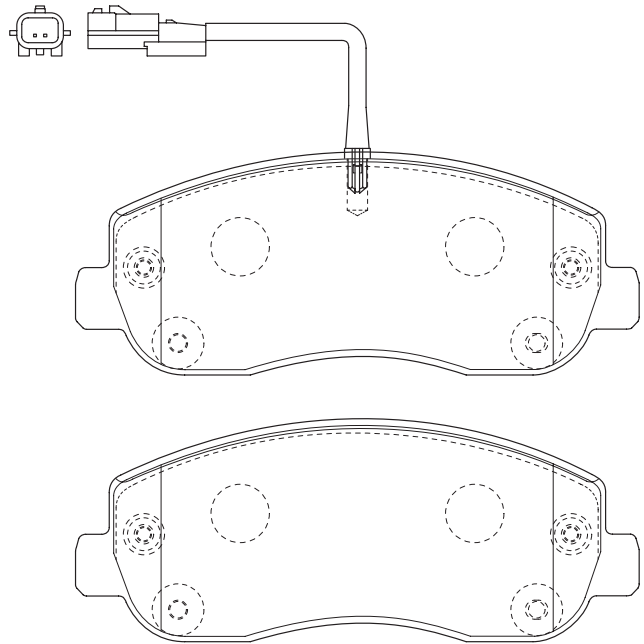
WVA 24367

VW Transporter T5

**SH14802**

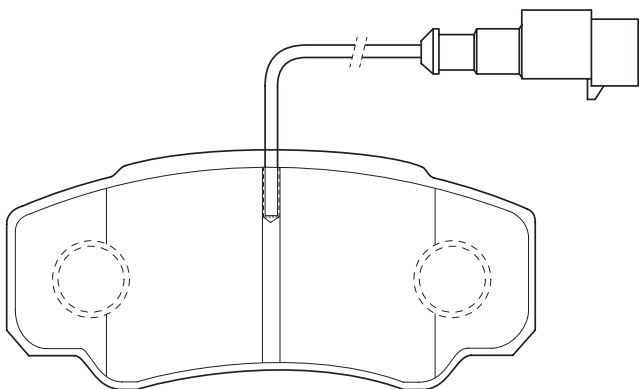
WVA 25148

RENAULT Master

**SH92102**

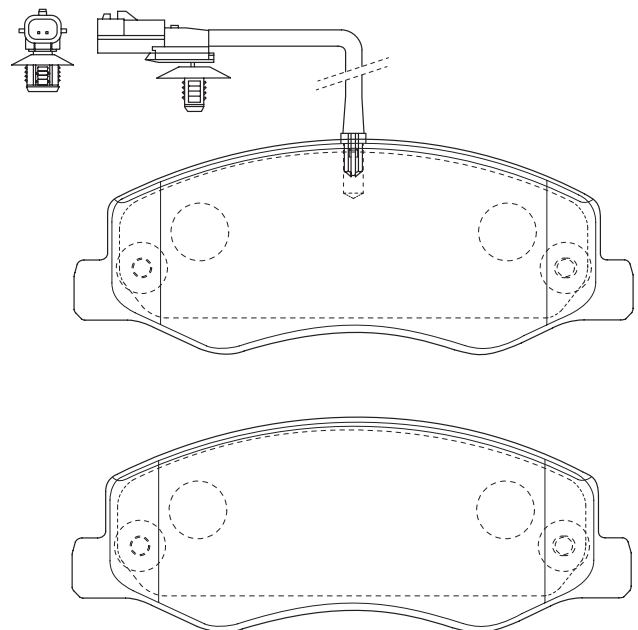
WVA 23921

NISSAN Cabstar RENAULT Maxity

**SH17202**

WVA 25172

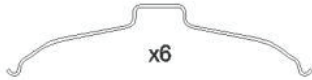
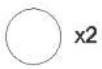
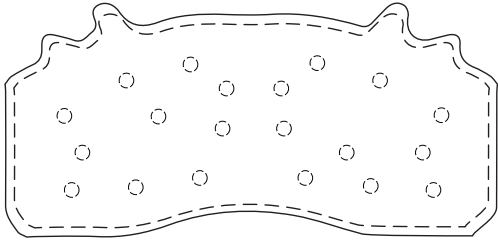
RENAULT Master



SH11202

WVA 25112

RENAULT Master

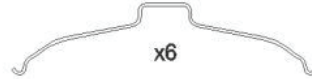
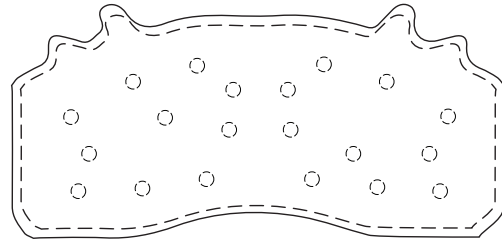


M10 x 12

**SH31502**

WVA 29315

MERCEDES-BENZ MP4,MP5 ANTOS

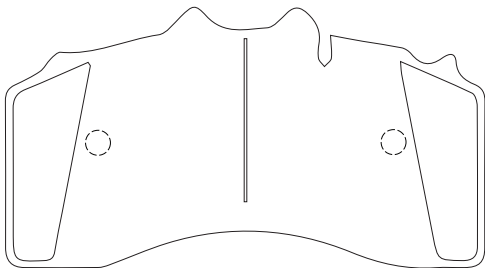


M10 x 12

**SH22802**

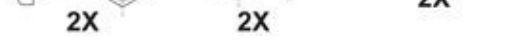
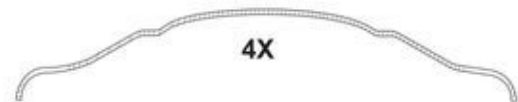
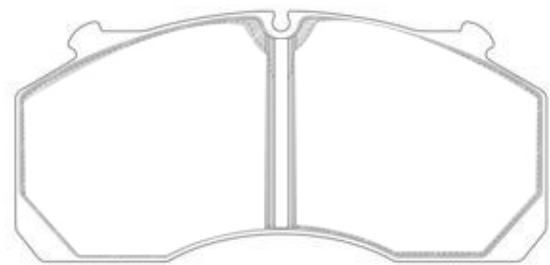
WVA 29228






BPW H, SH, TSB


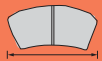
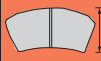


**SH15002**

WVA 29150

MENARINI M240, IVECO City Class









	WVA	OE CROSS				
16195	29001	1906183	174	69	20	IVECO DAILY II Platform/Chassis, 01/89 - 05/99
26095	29011	1906191	241	125	25	IVECO EUROCARGO I-III, 01/91 - 09/15 EUROSTAR, 01/93 - 02/02
36195	29013	5000297808	183	87	21	RENAULT TRUCKS MIDLINER, 10/82 - 01/00 S - Series Midliner, -
46195	29016	50001106	163	111	28	IVECO Bus 400 - Series, - 480 / 490 / 580 - Series, -
56095	29017	1903486	191	89	23	DAF 45, 01/91 - 12/00 F600, F800, F1000 , IVECO ZETA, 01/79 - 12/92,
66195	29024	1906070	191	89	23	IVECO,ZETA, 01/79 - 12/92 Leyland 45 - Series, -
79053	29030	5001823000	250	118,5	28	RENAULT TRUCKS MAGNUM, 04/96 - 05/00 MAJOR, 05/91 - 10/96
86095	29032	1906170	206	107	25	IVECO EUROCARGO I-III, 01/91 - 09/15 EUROFIRE, 01/91 -
96195	29044	5000814345	236	95	20	RENAULT TRUCKS FR - Bus, - FR1, 01/83 -
109053	29053	81508045088	250	118,5	30	SETRA Series 300, 09/91 - 02/02
116095	29055	81508046028	176	83	22	MAN FOC, - L2000, 10/93 -
126095	29065	1522201	175	86	22	IVECO, EUROCARGO I-III, 01/91 - 09/15 RENAULT TRUCKS MIDLINER,
136095	29067	1906043	176	79	22	IVECO, EUROCARGO I-III, 01/91 - 09/15 RENAULT TRUCKS MIDLINER,
146195	29072	5001834448	170	111	19	RENAULT TRUCKS R, 10/80 - 12/96
156195	29186/29075	42535773	180	106	20	IVECO 399 - Series, - EURORIDER, -
163045	29076	A0004237110	164,5	73	19,5	MERCEDES Sprinter, VARIO Van VW LT 28-46 II
179053	29077	AMPA694	205	106	27	DAF 55, 09/95 - 12/00
186095	29088	5001866951	176	83	26	DAF, IVECO, MAN, RENAULT TRUCKS MIDLUM, 05/06 -
196095	29090	5001846034	250	114	28	RENAULT TRUCKS MAGNUM, 04/96 - 05/00 VOLVO
206095	29100	5001833104	214	112	25	NISSAN Atleon Range, RENAULT TRUCKS MIDLINER, 10/82 - 01/00
213045	29121	2991668	165	66	20	IVECO DAILY III Van, 11/97 - 10/09
146095	29123	2991667	109,5	64	20	IVECO Daily
256095	29124	15224835	205	102	27	MERITOR LM, - DX 195, -
266095	29125	20768092	250	111	29	ROR, Volvo FM12, 08/98 - 09/05
276095	29131	81508205072	250	118	30	MAN,TGL I, 04/05 - ERF ECL, 04/02 -
286095	29137	20768115	210	102,5	29	Volvo Truck FL, 03/00 -
296995	29142	5001855902	204,5	99,5	30	RENAULT TRUCKS MIDLUM, 05/06 -
309053	29143	3057317900	248	108.3	30	Discos, SAF SK RB 9022 H, -, SMB
316095	29115/29148	84206520	174 / 185	84	27 / 34	MERCEDES BENZ
326095	29150	254625	249	117,5	30	MENARINI M240, IVECO City Class
336095	29153	A0024204120	164,6	73	19,7	MERCEDES Sprinter, VW LT
349053	29159	1628064	210,5	92,5	30	DAF CF, 05/13 -
356095	29160	2995632	164,5	68	20	IVECO DAILY III Platform/Chassis, 03/98 - 10/09
369053	29162	3057008400	210,5	109,5	31	SAF SKRZ, 03/95 -SKRS, 12/92 -
376095	29169	4604200020	210	102,5	29	MERCEDES-BENZ T2/L, 01/68 - 12/88
386095	29173	5001864365	216	99,5	29	RENAULT TRUCKS D, 01/13 - , VOLVO FL III, 05/13 -
396095	29174	5001864363	249	109,5	29	RENAULT TRUCKS C, 01/13 - D, 01/13 - VOLVO FMX III, 02/20 -
409053	29181	20780788	210,5	92	30	VOLVO FL II, 05/06 -
416195	29190	9064200100	137	63	19,5	MERCEDES-BENZ SPRINTER (B906), 11/11 - CRAFTER 30-50 Van (2E.),
426095	29192	A0054202120	163	67	21	MERCEDES Sprinter VIANO (W639), 09/03 -
436095	29200	9064210800	169,5	73,5	20,5	MERCEDES Sprinter
449053	29213	81508205017	211	92,5	30	MAN TGM II, 02/20 -
456095	29217	5420742028	165	78,5	20,5	MERCEDES Sprinter/ VW Crafter 5T 06 →
469053	29223	81508205108	217,5	108	30,5	MAN FOC, -TGX, TGS
476095	29229	42555881	163,5	67	20,5	IVECO DAILY IV Bus, 05/06 - 08/11
476095	29231	42555633	184	64	22,5	IVECO Daily VI Van, 03/14 -
496095	29232	42555917	141,5	72,5	20,5	IVECO Daily III, VI Van, 03/14 -
509053	29244/29245	9604200220	207,5	113,7	30 / 35	MERCEDES ACTROS MP4 / MP5, 07/11 - REAR
519053	29246/29247	A0064201420	244,5	113,7	30 / 35	MERCEDES ACTROS MP4 / MP5, 07/11 - FRONT
529053	29252	A0084206020	247,5	109,5	30	MERCEDES BENZ, IVECO, MAN, DAF
532034	29256	2996518	175,5	95	27	IVECO EUROCARGO I-III, 01/91 - 09/15
549053	29257	3057008500	211	108	30	SK RZ 9022/11222K (SK7), -
559053	29263	0509290070	248	109,5	30	BPW SB 4345, - (Double notch)
569053	29264	0509290060	211	108	30	BPW SB 4309 W, - (Double notch)
579053	29265	0509290040	211	93	30	BPW SB 3745, - (Double notch)
582044	29274	93887	210	94	30	HALDEX DB22, -DB22LT, -DBT22LT, -
599053	29287	500363646	211	100	30	IVECO, MAN, MERCEDES BENZ
606095	29302	270530	176	80	22	FL6, 09/85 - 03/00
619053	29318/29319	3057000600	215	108,5	32/35	SAF Axle Knorr ST7
629053	29328/29329	1178243	215	108,5	32/35	SCHMITZ CARGOBULL Knorr-Bremse AG ST7, -
636095	29374	1906353	175	175	86	IVECO DAILY VI Platform/Chassis, 03/14 - VAN
658058	29554	A0004207520	90	74	15	MERCEDES-BENZ MB-TRAC, 07/73 - 12/91
654054	29688	1906118	110	99	27	AUWÄRTER, IVECO Magirus - Bus, -
664054	29747	8 284 000 209	140	121	33	BOVA, DAF, MAN, NEOPLAN, SETRA, VAN HOOL
674054	29835	6694200120	175	85	22	MERCEDES BENZ SPRINTER 5-t Platform/Chassis (B905), 04/01 - 05/06

	WVA	OE CROSS				
681246	29984	41060G490A	167	62	17	NISSAN L-Serie, 01/95 - 12/00 ECO-T, 01/97 - 12/00
103312	20364	1571569	90	70	15	FORD TRANSIT Bus (T_), 10/85 - 09/92
113612	20011	211698151C	77	70	18,5	VW TRANSPORTER T3 Van (24_ , 25_), 05/79 - 12/92
124612	20570	7701202709	105	56	18,5	RENAULT TRAFIC Van (T_ , P_ , V_), 03/89 - 12/01
135012	20359	1571570	102	75	18	FORD Transit, IVECO Daily
145512	20280	251 698 151	90	74	18	VW LT 40-55 I Platform / Chassis (293-909)
145512	20784	A0005868942	149	74	18	MERCEDES Sprinter T2/L, 01/68 - 12/88
160613	20927	7701 202 044	154	56	18,5	RENAULT Trafic Platform/Chassis VAN MINIBUS
172113	20380	BRE	110	73	18,5	IVECO Daily, Grinta
182513	21048	1902292	110	74	18,5	IVECO Daily DAILY I Platform/Chassis, 01/78 - 05/99
193613	21141	5023486	114	58	18	FORD TRANSIT Bus (T_), 10/85 - 09/92
206813	29071	5000823566	167	62	17	RENAULT TRUCKS B Platform/Chassis, 01/83 - 06/99
217913	20759	1902294	102	75	18	IVECO Daily I Platform/Chassis, 01/78 - 05/99
228013	20979	251698151C	130	56	19,5	VW TRANSPORTER T3 Van (24_ , 25_), 05/79 - 12/92
231614	29037	1906038	110	73	18,5	IVECO DAILY II Van, 01/89 - 05/99
241914	29012	1906243	149	69	18	IVECO DAILY II Platform/Chassis, 01/89 - 05/99 GRINTA, -
252214	21620	1902292	110	73	18,5	IVECO DAILY I Van, 01/78 - 08/98 , Grinta
264214	21480	7963999	105	75	18	IVECO DAILY II Bus, 01/89 - 05/99
274414	20653	1902494	102	75	18	IVECO DAILY I Platform/Chassis, 01/78 - 05/99
284614	20465	1902469	149	69	18	IVECO Daily, II Platform / Chassis
295814	20652	701 615 151	92	80	18	VW Transporter T4 Platform / Chassis
306014	20124	701 698 151C	130	54,5	19	VW Transporter T4
312115	21573	6014217720	146	61	14	MERCEDES MB 100 Minibus (W631)
314517	21470	5028763	139	65	18	FORD TRANSIT Van (VF, VG, VE), 06/94 - 03/00
334617	21469	5028764	137	74	18	FORD TRANSIT Platform/Chassis (VF, VG), 08/94 - 03/00
342218	20904	GBP272	127	71	18	DAF 400-serie Van
352518	21186	4604200020	149	69	18	MERCEDES-BENZ T1/TN Platform/Chassis
364418	21576	44205520	156	65	19	MERCEDES-BENZ Sprinter 4-T
374518	21279	A0024203920	64	57,5	17	MERCEDES-BENZ V-Class (W638/2) Sprinter, Vito
384618	21621	24205620	141	49	17	MERCEDES-BENZ Sprinter 3-T, VW LT
394718	21478	701 698 151 D	130	65,5	19	VW Transporter T4 Minibus (70B, 70C, 7DB, 7DK, 70J, 70K, 7DC, 7DJ)
405918	20934	6014217720	146	61	14	MERCEDES MB100
417518	21882	701 698 451	95	57,5	17,5	VW Transporter T4
423119	23302	7701206369	139	66,5	18	RENAULT Master I Minibus
433419	21883	7D0 698 151	156	68,5	19,5	VW Transporter T4
444619	23022	A0034200120	135	66	20,5	MERCEDES Sprinter, Vito
454719	23020	A0004214210	104	53	18	MERCEDES-BENZ V-Class (W638/2)
464819	21634	701 698 151 A	91	81	18	VW Transporter T4
475019	23021	A0004209720	126	63	18,5	MERCEDES Sprinter, VW LT
486425	23435	410600X226	169	64,5	18	NISSAN Cabstar E
491530	23430	1318139	169	63,5	18,5	FORD Transit Mk5 Platform / Chassis (V184, V185)
504530	23034	7D0 698 151A	157	79	19	VW Transporter T4
514630	23176	7D0 698 151C	91	81	18	VW Transporter LT 28-46 II Van (2DA, 2DD, 2DH)
524730	23269	7M3 698 151 A	161	73 / 74,5	20	VW Transporter T4 Minibus
535030	21479	7D0 698 151B	130	65,5	19	VOLKSWAGEN LT 28-46 II Van (2DA, 2DD, 2DH)
545530	23669	8660004483	116	51,5	19	RENAULT Master II Minibus
555830	23099	7701050914	145	62,5	18	RENAULT Trafic
565930	23980	7701 054 772	95	57	17	RENAULT Trafic III Van (FG) (EL)
578130	29139	1906428	110	73	18,5	IVECO DAILY II Platform/Chassis, 01/89 - 05/99
580631	23163	7D0 698 151D	156	68,5	19,5	VW Transporter T4 Minibus
590731	23613	7701 206 727	138	79,5	18	RENAULT Master II Minibus
601031	23840	1144288	169	62,5	18,5	FORD Transit Mk5 Platform / Chassis Tourneo (FC_)
615931	23468	7H0698151	155/ 156	73 / 75	18,5 / 20	VW Transporter T5, T6
626031	23747	7H0698151A	155 / 156	73 / 75	17,5 / 18	VW California T5 Minibus
637431	29140	190 6429	110	73	18,5	IVECO Daily, Daily II
649131	23901	A0024204020	156	55	18,5	MERCEDES-BENZ Sprinter
652032	23326	7E0698451A	116	59	17,5	VW Transporter Multivan T5 , T6
662132	24007	6394200100	162	60,5	21	MERCEDES-BENZ Vito Minibus (W639)
672232	24008	A0004216210	99	49	18,5	MERCEDES-BENZ Viano (W639)
687532	24484	1433952	165	66,5	19	FORD Transit Mk6 Minibus (V347, V348)
697632	24485	1433954	165	65	19	FORD Transit Mk6 Caja / Chasis (V347, V348)
707732	24486	1433958	123	53,5	17	FORD Transit Mk6 Van (V347, V348)
710133	24367	7L6 698 451	140,5 / 141	51 / 54	19	VW Transporter T5
721833	23921	D4060MA000	110	50	20,5	NISSAN Cabstar RENAULT Maxity
735733	25148	410601061R	163,5	65	18,5	RENAULT Master III Minibus
745833	25172	440600866R	163,5	63	18	RENAULT Master III Platform/Chassis
755933	25112	4406000Q0L	128,5	59,5	18	RENAULT Master III Minibus

	WVA	#	Ø				!		#		
SL76117	17 761	8	405	180.0	125	11,5		48	8103060007	6x15	SAE-SMB GIGANT GROUP
SL54319	19 543	4	360	174.0	170	14.8		92	93683	L8	VOLVO B6, 11/91 - FL6, 09/85 - 03/00
	19 552	2	360	269.0	170	8.4				L8	
SL23419	59 234	8	410	202.0	200	19.1		128	93686	L11	ASTRA, AWD
SL61319	19 613	4	419	192.0	178	19.2		128	93281	5x15	ACERBI, BENALU, CRANE FRUEHAUF, FRUEHAUF/
	19 614	4	419	188.0	178	18.6	Conical drilling			5x15	BENALU, GIGANT GROUP, TRAILOR
SL55719	19 557	4	419	192.0	203	18.6		128	93281	5x15	ACERBI, BENALU, CRANE FRUEHAUF, FODEN,
	19 606	4	419	188.0	203	19.2	Conical drilling			5x15	FRUEHAUF/BENALU, GIGANT GROUP, SAF, TRAILOR
SL08211	11 082	4	230	230.0	40	5,0		32	8103040009	4x8	PEITZ BPW
SL08411	11 084	4	250	245.0	40	5,0		40	8103040009	4x8	BPW, PEITZ
SL28411	11 284	4	250	262.0	40	5,0		40	8103040014	4x10	KNOTT, PEITZ, SAF
SL47811	11 478	4	200	190.0	40	5,0		40	8103040009	4x8	BPW
SL55611	11 556	4	230	224.0	40	5,0		40	8103040009	4x8	BPW
SL01911	11 019	1	230	207.0	34	8,0		42	8103040014	4x10	MERCEDES-BENZ, HA, - HL
	11 025	1	230	207.0	34	8,0				4x10	
	11 582	2	230	174.0	34	8,0				4x10	
SL02013	13 020	2	260	233.0	54	8,0		52	8103040014	4x10	MERCEDES-BENZ, PERROT BREMSSEN
	13 532	2	260	201.0	54	8,0				4x10	
SL00415	15 004	4	300	290.0	60	5,0		64	8103040014	4x10	BPW, PEITZ, SAF, WARSTEINER
SL03115	15 031	4	400	418.0	80	9,3		64		6x18	KNOTT
SL03915	15 039	2	270	244.0	79	8,0		52	93038	5x10	PERROT BREMSSEN
	15 742	2	270	211.0	79	8,0				5x10	
SL04415	15 044	4	350	339.0	60	6,0		40	8103060002	6x10	BPW, KNOTT, PEITZ, SAF, WARSTEINER
SL07715	15 077	8	300	148.0	80	16		48	8102080005	8x15	GFA (Gothaer Achsen), SAF
SL16215	15 162	4	308	258.0	90	13.5		40	8103080008	8x12	MERCEDES-BENZ
SL20715	15 207	4	420	406.0	90	8,0	Different rivet	64	8162080002	8x18	ADIGE, BATTAGLINO, IVECO
SL20715	15 207	4	420	406.0	90	8,0	Different rivet	64	8102080026	8x18	CARDI, CARENZI, FRANCHIN, PERLINI, ROLFO, VIBERTI, ZORZI
SL24715	15 247	4	400	388.0	80	8,0		40	8102080005	8x15	BPW, KÄSSBOHRER
SL34915	15 349	2	300	245.0	70	9,0		52	8103060007	6x15	MERCEDES-BENZ
	15 350	2	300	288.0	70	9,0				6x15	
SL49415	15 494	4	420	397.0	90	12,0		64	8162080003	8x20	ADIGE, IVECO, PIACENZA
SL58015	15 580	2	304	244.0	98	12,0		52	8103060002	6x10	MERCEDES-BENZ
	15 581	2	304	286.0	98	12,0				6x10	
SL73215	15 732	2	325	298.0	80	7,0		56	8103060013	6x12	IVECO, PERROT BREMSSEN
	15 733	2	325	256.0	80	7,0				6x12	
SL03015	15 030	2	270	244.0	79	8,0		52	93038	5x10	IVECO, MERCEDES-BENZ, PERROT BREMSSEN, STEYR
	15 742	2	270	211.0	79	8,0				5x10	
SL75115	15 751	8	400	195.0	80	12.4		48	8102080005	8x15	SAF
SL77515	15 775	4	270	212.0	65	7,0		40	8103040014	4x10	VOLKSWAGEN
SL79915	15 799	8	305	141.0	80	11,5		48	8103060007	6x15	GIGANT GROUP
SL81715	15 817	2	325	301.0	97	12,1		44	8162080003	8x20	AVIA - DAEWOO (Czech), DAF, MAN, PERROT BREMSSEN
	15 823	2	325	251.0	97	12,1				8x20	
SL82615	15 826	8	310	152.0	80	8,0		64	8103060007	6x15	PEITZ
SL16215	15 162	4	304	258.0	90	11.5		40	8103080008	8x12	MERCEDES-BENZ
SL05915	15 059	2	300	264.0	87	9,3		52	8103060002	6x10	MERCEDES-BENZ
	15 869	2	300	237.0	87	9,3				6x10	
SL87915	15 879	8	325	140.0	97	16.5		48	8162080001	8x15	MAN, STEYR
SL01217	17 012	4	419	220.0	127	21.55		80	93686	L11	DAF
	17 013	4	419	209.0	127	21.55				L11	
SL60117	17 377	8	400	192.7	120	8		64	8102080005	8x15	BPW
SL01617	17 016	8	400	192.7	120	11		64	93251	8x15	A.D.R. , GKN FAD Axles
SL01717	17 017	8	360	173.0	143	16		64	8162080001	8x15	CAETANO PSV, MAN, OPTARE, RENAULT TRUCKS
SL09217	17 092	2	405	430.0	120	10,0		56	8162080003	8x20	STEYR
	17 093	2	405	324.0	120	10,0				8x20	
SL31317	17 313	2	310	236.0	100	12,9		52	8103060013	6x12	IVECO, PERROT BREMSSEN
	17 318	2	310	280.0	100	12,9				6x12	
SL11517	17 115	8	400	190.0	120	10,0		64	8102080026	8x18	BPW, SAF
SL16117	17 161	8	413	193.0	127	19,0		64	93687	L12	SCANIA
SL18317	17 183	8	300	142.0	120	10,0		64	8102080026	8x18	BPW, KNOTT, WARSTEINER
SL21717	17 217	4	330	295.0	125	11,7		48	93684	L9	DAF, FORD, IRISBUS, MCW, RENAULT TRUCKS
SL23717	17 237	8	500	253.0	120	17.8	Old version 8	64	8103100002	10x18	KESSLER, KNOTT, PERROT BREMSSEN

	WVA	#	Ø				!		#		
SL23817	17 238	8	410	175.0	143	17		64	8162080001	8x15	MAN, MERCEDES-BENZ, RENAULT TRUCKS
SL24817	17 248	4	400	321.0	140	12,0		48	8162080003	8x20	PERROT BREMSEN
SL25117	17 251	4	405	370.0	120	12,5		56	8162080003	8x20	STEYR
SL25217	17 252	2	405	321.0	140	11,5		56	8162080003	8x20	STEYR
	17 253	2	405	423.0	140	11,5				8x20	
SL26317	17 263	4	419	209.0	127	18,3		80	93685	L10	DAF, NEOPLAN
	17 264	4	419	216.0	127	18,8				L10	
SL26917	17 269	2	400	320.0	140	12,0		56	8102080005	8x15	PERROT BREMSEN , TAM
	17 336	4	400	320.0	140	12,0				8x15	
SL28517	17 285	8	440	190.0	140	10,0		64	8162080002	8x18	MERCEDES-BENZ
SL28617	17 286	8	440	190.0	100	10,0		64	8162080002	8x18	NEOPLAN
SL29717	17 297	8	418	213.0	100	15,0		64	8162080001	8x15	NEOPLAN
SL29817	17 298	8	418	213.0	120	15,0		64	8162080001	8x15	NEOPLAN
SL31617	17 316	4	394	321.0	127	12,7		48	93683	L8	DAF, FORD, RENAULT TRUCKS
SL34017	17 340	4	400	329.0	140	10,0		48	8162080001	8x15	SAURER, TAM
SL34017	17 340	4	408	329.0	140	14,0		48	8103100002	10x18	SAURER
SL34717	17 347	8	300	145.0	100	17,0		64	8102080005	8x15	GIGANT GROUP
SL34717	17 347	8	300	145.0	100	18		64	8102080005	8x15	BPW, GFA (Gothaer Achsen)
SL35717	17 357	4	360	174.0	140	14,8		112	93683	L8	VOLVO
	17 358	4	360	174.0	140	9,7				L8	
SL36217	17 362	8	335	156.0	150	14,5		64	93684	L9	YORK TRAILERS
SL37417	17 374	8	500	253.0	120	17,8	New version	80	8103100002	10x18	KESSLER, KNOTT, PERROT BREMSEN
SL37717	17 377	8	420	204.0	120	18		80	8102080005	8x15	BPW, KÄSSBOHRER, STEYR,WARSTEINER
SL39917	17 399	8	420	204.0	120	18		64	8102080005	8x15	SAF
SL40817	17 408	2	325	296.0	100	8,0		52	8103060013	6x12	IVECO, PERROT BREMSEN
	17 793	2	325	296.0	100	8,0				6x12	
SL40917	17 409	4	304	248.0	135	12,0		40	8162080001	8x15	MERCEDES-BENZ
SL45617	17 456	8	420	201.0	140	18		64	8162080002	8x18	AUSTERAS, BPW, CARDI, STEYR
SL48117	17 481	4	420	421.0	125	12,0		64	8162080001	8x15	IVECO, VAN HOOL
SL48217	17 482	4	420	397.0	125	12,0		96	8162080001	8x15	IVECO
SL55517	17 555	4	330	299.0	101	9,5		48		L7	DAF, FORD, RENAULT TRUCKS
SL63517	17 635	2	325	249.0	120	12,0		52	8103060013	6x12	IVECO, PERROT BREMSEN , YUGO
	17 636	2	325	288.0	120	12,0				6x12	
SL66017	17 660	4	320	310.0	140	12,0		40	8162080003	8x20	ADIGE
SL66217	17 662	2	330	300.0	127	9,5		52	93684	L9	DAF, FORD, RENAULT TRUCKS
	17 663	2	330	343.0	127	9,5				L9	
SL66417	17 664	4	413	197.0	127	19		72	93687	L12	IRISBUS, VOLVO
	17 665	4	413	159.0	127	19				L12	
SL68217	17 682	8	410	175.0	123	17		64	8162080002	8x18	MAN, MERCEDES-BENZ
SL74217	17 742	4	410	207.0	140	16		64	8103100003	10x20	PERROT BREMSEN , SETRA
	17 743	4	410	210.0	140	16				10x20	
SL74617	17 746	8	420	184.0	140	18,0		48	8162080002	8x18	IKARUS
SL74717	17 747	2	414	345.0	125	12,5		96	8103060007	6x15	IRISBUS, RENAULT TRUCKS
	17 748	2	414	284.0	125	12,5				6x15	
SL75817	17 758	4	325	255.0	120	8,1		48	8103060013	6x12	PERROT BREMSEN
SL79517	17 795	4	410	172.0	143	18		72	8162080002	8x18	MERCEDES-BENZ
	17 796	4	410	216.0	143	18				8x18	
SL79717	17 797	8	420	204.0	110	18,8		80	8162080003	8x20	ADIGE, CALABRESE
SL80417	17 804	4	394	354.0	127	12,7		64		K8	RENAULT TRUCKS
SL80717	17 807	8	420	204.0	124	18,3		80	8102080026	8x18	BPW
SL82717	17 827	2	325	251.0	120	12,5		60		5x12	DAF, IVECO, RENAULT TRUCKS, VOLVO
	17 828	2	325	210.0	120	12,5				5x12	
SL82917	17 829	2	310	245.0	100	10,0		56	93038	5x10	DAF, RENAULT TRUCKS, VOLVO
	17 830	2	310	209.0	100	10,0				5x10	
SL83117	17 831	2	310	209.0	125	10,0		64	93038	5x10	DAF, RENAULT TRUCKS, VOLVO
	17 832	2	310	245.0	125	10,0				5x10	
SL84717	17 847	4	405	370.0	240	12,5		56	8162080003	8x20	STEYR
SL86917	17 869	8	420	197.0	140	12,5		64	8162080003	8x20	IVECO
SL88517	17 885	8	420	211.0	135	12,5		64	8162080003	8x20	IRISBUS, IVECO
SL89517	17 895	4	420	401.0	140	12,0		64	8162080003	8x20	ADIGE, CARENZI
SL89717	17 897	4	305	151.0	125	15,8		48	8102080026	8x18	GIGANT GROUP, LOHR
	17 898	4	305	143.0	125	15,9				8x18	
SL90017	17 900	2	325	301.0	147	12,1		44	8103080008	8x12	DAF, MAN, NEOPLAN, PERROT BREMSEN
	17 901	2	325	251.0	147	12,1				8x12	








	WVA	#	Ø				!		#		
SL90517	17 905	4	430	207.0	140	17		64	8162080003	8x20	BARTOLETTI
	17 906	4	430	207.0	140	17.75				8x20	
SL92417	17 924	2	325	249.0	100	12,5		52	8103060013	6x12	IVECO, PERROT BREMSSEN
	17 925	2	325	288.0	100	12,5				6x12	
SL27817	17 278	4	304	258.0	105	11.5		40	8103080008	8x12	MERCEDES-BENZ
SL27817	17 278	4	308	259.0	105	13.5		40	8103080008	8x12	MERCEDES-BENZ
SL28017	17 280	4	304	258.0	120	11.5		40	8103080008	8x12	MERCEDES-BENZ
SL28017	17 280	4	308	259.0	120	13.5		40	8103080008	8x12	MERCEDES-BENZ
SL28717	17	4	304	258.0	135	11.5		40	8103080008		ME
SL28717	17 287	4	308	257.0	135	13.5		40	8103080008	8x12	MERCEDES-BENZ
SL93217	17 932	2	330	340.0	127	10		52		L7	DAF, FORD, MCW
	17 933	2	330	295.0	127	8.5				L7	
SL29017	17 290	4	360	172.0	130	13.4		56	8162080001	8x15	MERCEDES-BENZ, SOR
	17 950	4	360	130.0	130	13.5				8x15	
SL29017	17 290	4	364	172.0	130	15.4		56	8162080001	8x15	MERCEDES-BENZ
	17 950	4	364	131.0	130	15.5				8x15	
SL35017	17 350	2	300	264.0	102	9,3		52	8103060013	6x12	MERCEDES-BENZ
	17 973	2	300	237.0	102	9,3				6x12	
SL35117	17 351	2	300	264.0	122	9,3		52	8103060013	6x12	MERCEDES-BENZ, OPTARE
	17 975	2	300	237.0	122	9,3				6x12	
SL98817	17 988	8	325	140.0	150	16.2		64	8162080001	8x15	MAN, STEYR
SL99117	17 991	4	413	235.0	127	19,0		32	93280	6,65x	SCANIA
SL99217	17 992	8	410	176.0	125	18.3	(L8=5mm Platform, L10=8mm Platform)	64	93683/93685	L8/L10	VOLVO
SL01019	19 010	4	420	176.0	150	20.8		64	93686	L11	DAF, OPTARE
	19 011	4	420	177.0	150	20.6				L11	
SL01919	19 019	4	420	391.0	180	14,0		56	8103100001	10x17	PERROT BREMSSEN , SETRA
SL02419	19 024	4	419	209.0	152	20.6		80	93686	L11	DAF
	19 031	4	419	220.0	152	20.8				L11	
SL03019	19 030	4	419	189.0	177	22		96	93684	L9	MERITOR
	19 033	4	419	195.0	177	21.4				L9	
SL03219	19 032	8	420	203.0	180	17.5		80	8102080005	8x15	STEYR
SL03219	19 032	8	420	205.0	180	17.8		80	8102080005	8x15	ACERBI, AUSTERAS, BATTAGLINO, BENALU, BPW, CARDI, CODER, CRANE FRUEHAUF, FRANCHIN, FRUEHAUF/BENALU, GFA (Gothaer Achsen), GORICA, KAISER, KÄSSBOHRER, LECITRAILER, MERCEDES- BENZ, PIACENZA, PRIM-BALL, RENAULT TRUCKS, ROLEO SAF, WARSTEINER ZORZI
	19 037	4	419	194.0	178	18				L10	BAJ et FOND, BENALU, BROCKHOUSE, CALABRESE, CARRIMORE, CRANE FRUEHAUF, DYSON, FOX, FROMANT, FROMCO, FRUEHAUF/BENALU, HANDS, HIGHWAY, KAISER, MERITOR, MERRIWORTH, MULTIWHEEL, NORTHERN, PEAK, PITT, PRIMROSE, SAMRO, SCAMMELL, STEYR, TITAN, YORK TRAILERS
SL03619	19 036	4	419	188.0	178	18.6	Rivet 6,35mm	96	93685	L10	BAJ et FOND, BENALU, BROCKHOUSE, CALABRESE, CARRIMORE, CRANE FRUEHAUF, DYSON, FOX, FROMANT, FROMCO, FRUEHAUF/BENALU, HANDS, HIGHWAY, KAISER, MERITOR, MERRIWORTH, MULTIWHEEL, NORTHERN, PEAK, PITT, PRIMROSE, SAMRO, SCAMMELL, STEYR, TITAN, YORK TRAILERS
	19 037	4	419	194.0	178	18				L10	FRUEHAUF/BENALU, SAF
SL03619	19 036	4	419	189.0	178	18.6	Rivet 8mm	96	8102080026	8x18	
	19 037	4	419	194.0	178	18				8x18	
SL03619	19 036	4	419	189.0	178	18.6	Rivet 5mm / Cylindrical	96	8102050013	5x15	BAJ et FOND, CASTERA, CRANE FRUEHAUF, FRUEHAUF/BENALU, GIGANT GROUP, KAISER, TRAILOR, YORK TRAILERS
	19 037	4	419	192.0	178	18				5x15	
SL04119	19 041	8	500	253.0	180	17.8		112	8162080002		KESSLER, KNOTT, PERROT BREMSSEN
SL04219	19 042	8	500	253.0	160	17.8		80	8162080002		KESSLER, KNOTT, PERROT BREMSSEN
SL04919	19 049	2	414	347.0	150	12,5		96	8103060007	6x15	CAZENAVE, COLAERT, CRANE RUEHAUF,FRUEHAUF/ BENALU, IRISBUS, MADURAUD, RENAULT TRUCKS, TITAN
	19 199	2	414	286.0	150	12,5				6x15	
SL05219	19 052	4	420	177.0	175	20.6		96	93686	L11	DAF
	19 055	4	420	176.0	175	20.8				L11	
SL06319	19 063	4	420	177.0	200	20.6		128	93685	L10	BOVA, DAF
	19 064	4	420	176.0	200	20.8				L10	
SL06819	19 068	8	410	176.0	225	18.3	(96 x L8=5mm Platform, 104 x L10=8mm Platform)	96/104	93683/93685	L8/L10	DENNIS, IRISBUS, VOLVO
SL07119	19 071	8	410	176.0	200	18.3	(96 x L8=5mm Platform, 104 x L10=8mm Platform)	96/104	93683/93685	L8/L10	AWD, BEDFORD, CAETANO PSV, DENNIS, ERF, IRISBUS, KAROSA, SEDDON ATKINSON, SISU, STEYR, VOLVO

	WVA	#	Ø				!		#			
SL07219	19 072	4	394	360.0	152	12,7			48	93684	L9	AEC, BEDFORD, BRISTOL, BROCKHOUSE, CARRIMORE, CRANE, FRUEHAUF, DAF, DENNIS, DYSON, ERF, FORD, GUY, HANDS, HIGHWAY, IVECO, PITT, RENAULT TRUCKS, SCAMMELL, SEDDON ATKINSON, YORK TRAILERS
SL07519	19 075	8	413	193.0	178	19,0			96	93687	L12	SCANIA
SL11219	19 112	4	364	130.0	200	15.8			56	8103080008	8x12	MERCEDES-BENZ
	19 505	4	364	173.0	200	15.8					8x12	
SL08419	19 084	2	410	192.0	180	17.5			64	8103100002	10x18	PERROT BREMSSEN , SETRA, VAN HOOL
	19 855	2	410	196.0	180	17.5					10x18	
	19 856	4	410	192.0	180	17.4					10x18	
SL09019	19 090	8	410	176.0	175	18.3			96/104	93683/93685	L8/L10	AWD, BEDFORD, CAETANO PSV, DENNIS, ERF, VOLVO
SL09119	19 091	2	410	204.0	202	21.5			96	8162080003	8x20	IVECO
	19 098	6	410	204.0	202	21.5					8x20	
SL09419	19 094	8	420	203.0	200	17.5			80	8102080005	8x15	STEYR
SL09419	19 094	8	420	202.0	200	17.8			80	8102080005	8x15	ACERBI, BATTAGLINO, BENALU, BERTOJA, BPW, CARDI, CRANE, FRUEHAUF, DAF, FRUEHAUF/BENALU, GIGANT GROUP, KAISER, KÄSSBOHRER, LAG, LECITRAILER, PIACENZA, PRIM-BALL, RENAULT TRUCKS, ROLFO,
SL09919	19 099	2	410	204.0	180	21.5			96	8162080003	8x20	IVECO, PERROT BREMSSEN
	19 100	6	410	204.0	180	21.5					8x20	
SL10219	19 102	8	300	141.0	150	10,0			64	8102080005	8x15	BPW, PEITZ, SAF, WARSTEINER
SL10319	19 103	8	300	142.0	200	10,0			64	8102080005	8x15	BPW, GIGANT GROUP, KÄSSBOHRER, SAF, TRAILOR, WARSTEINER
SL10919	19 109	4	410	195.5	180	217			96	8162080001	8x16	IVECO
	19 110	4	410	195.5	180	217					8x16	
SL11319	19 113	8	410	178.0	180	18.2			80	8103100002	10x18	KESSLER, KNOTT, PERROT BREMSSEN
SL11419	19 114	4	410	196.0	220	19.4			96	8103100002	10x18	PERROT BREMSSEN , VAN HOOL
	19 115	4	410	196.0	220	19.4					10x18	
SL11619	19 116	4	410	195.5	200	217			96	8162080001	8x16	IVECO
	19 119	4	410	195.5	200	217					8x16	
SL12519	19 125	8	370	156.0	160	19,7			64	8162080002	8x18	MERCEDES-BENZ, NEOPLAN
SL13419	19 134	4	420	214.0	160	14,0			32	8103100002	10x18	PERROT BREMSSEN , STEYR
	19 298	2	420	334.0	160	14,0					10x18	
SL14419	19 144	4	410	211.0	150	19,8/18			96	93282		SISU
	19 145	4	410	211.0	150	18,9/12,						
SL14619	19 146	4	410	211.0	180	19,8/18			96	93282		SISU
	19 147	4	410	211.0	180	18,9/12,						
SL15019	19 150	4	419	209.0	152	18.3			80	93685	L10	BOVA, DAF, IRISBUS, LAG, OPTARE, SISU, TAM, TRAILOR
	19 151	4	419	216.0	152	18.8					L10	
SL16019	19 160	8	440	186.0	170	15,0			64	8162080002	8x18	MERCEDES-BENZ
SL16619	19 166	4	400	215.0	200	19,8			80	8102080026	8x18	KÄSSBOHRER
	19 167	4	400	215.0	200	19,4					8x18	
SL16819	19 168	4	400	214.0	150	19.4			80	8102080026	8x18	KÄSSBOHRER, LOHR
	19 169	4	400	215.0	150	19.8					8x18	
SL17719	19 177	8	360	173.0	160	16			96	8162080001	8x15	CAETANO PSV, MAN, OPTARE
SL18719	19 187	8	414	187.0	220	18,5			64	8162080002	8x18	IRISBUS, KAROSA, RENAULT TRUCKS
SL19119	19 191	8	420	205.0	180	17.8			80	8102080005	8x15	BPW
SL19219	19 192	8	420	202.0	200	17.8			80	8102080005	8x15	BPW
SL20019	19 200	8	420	204.0	160	17.8			80	8102080005	8x15	BPW, CARDI, CRANE, FRUEHAUF, FRUEHAUF/BENALU, GIGANT GROUP, SAF, WARSTEINER
SL21719	19 217	4	410	211.0	210	19,8/18			96	93282		SISU
	19 218	4	410	211.0	210	18,9/12,						
SL30619	19 306	8	360	173.0	170	16.5			96	93683	L8	AWD, BEDFORD, DAF, SEDDON ATKINSON
SL23719	19 237	4	410	196.0	160	19.4			32	8103100002	10x18	PERROT BREMSSEN
	19 238	4	410	196.0	160	19.3					10x18	
SL24519	19 245	4	420	186.0	160	15,0			56	8103100002	10x18	STEYR
	19 782	4	420	136.0	160	15,0					10x18	
SL24519	19 245	8	420	186.0	160	15,0			64	8103100002	10x18	JELCZ, STEYR
SL24619	19 246	8	420	186.0	185	15,0			64	8103100002	10x18	STEYR
SL25519	19 255	2	360	256.0	170	17.5			80	8102050007	8x18	MAN, RENAULT TRUCKS
	19 259	2	360	349.0	170	17.5					8x18	

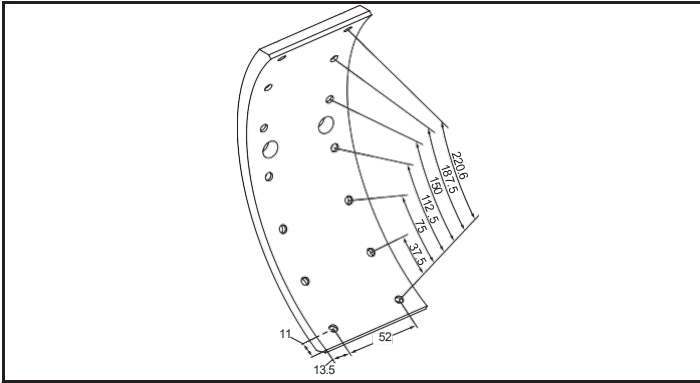
	WVA	#	Ø				!		#			
SL25619	19 256	4	419	208.0	178	18.3				L10	BOVA, DAF, IRISBUS, NEOPLAN, TAM	
	19 260	4	419	216.0	178	18.8				L10		
SL26219	19 262	6	410	201.0	180	19.8			112	8162080003	8x20	IVECO, PERROT BREMSSEN , TATRA
	19 342	2	410	201.0	180	19.8					8x20	
SL34319	19 343	2	410	201.0	200	19.8			112	8162080003	8x20	IRISBUS, IVECO, PERROT BREMSSEN , TATRA
	19 263	6	410	201.0	200	19.8					8x20	
SL28319	19 283	4	420	177.0	178	20.6			64	8102080005	8x15	GIGANT GROUP, KAISER, SAF
	19 284	4	420	183.0	178	20					8x15	
SL26919	19 269	2	360	270.0	170	9,3			84	93683	L8	VOLVO
	19 272	2	360	353.0	170	12.8					L8	
SL36519	19 365	4	419	192.0	203	18.7			96	8102080026	8x18	TRAILOR
	19 366	4	419	189.0	203	19.3					8x18	
SL36519	19 365	4	419	192.0	203	18.7	Conical drilling / Rivet 6,35mm		96	93685	L10	BAJ et FOND, BENALU, CRANE FRUEHAUF, FODEN, FOX, FRUEHAUF/BENALU, GIGANT GROUP, KAISER, MERITOR, MERRIWORTH, SAF, SAMRO, SCAMMELL
	19 366	4	419	189.0	203	19.3					L10	
SL36919	19 369	4	419	189.0	218	18.7	Rivet 6,35mm		96	93685	L10	BATTAGLINO, BENALU, BROCKHOUSE, CARRIMORE, CASTERA, CODER, DORSEY, DYSON, FOX, FROMANT, FROMCO, FRUEHAUF/BENALU, HANDS, HIGHWAY, HOYNOR, LAG, MERITOR, MOSELEY, MURFITT, NORTHERN, PEAK, PITT, SAMRO, SCAMMELL, YORK TRAILERS
	19 370	4	419	192.0	218	19.3			96		L10	
SL36919	19 369	4	419	194.0	219	18.7	Rivet 8mm		96	8102080026	8x18	MERITOR
	19 370	4	419	189.0	219	19.3					8x18	
SL38419	19 384	6	381	188.0	178	18.15			96	93684	L9	CRANE FRUEHAUF, FODEN, FORD, FRUEHAUF/BENALU, IRISBUS, IVECO, MERITOR, ROCKWELL, SEDDON
	19 385	2	381	188.0	178	18.15					L9	
SL39319	19 393	8	413	193.0	203	19,0			96	93687	L12	SCANIA, SISU
SL39619	19 396	8	300	141.0	150	13			64	8102080005	8x15	BPW
SL39719	19 397	8	300	141.0	200	13			64	8102080005	8x15	BPW
SL40519	19 405	8	305	141.0	200	11,5			48	8103060007	6x15	GIGANT GROUP, KAISER
SL46619	19 466	8	370	156.0	220	19,4			80	8162080002	8x18	MERCEDES-BENZ, NEOPLAN
SL46719	19 467	4	394	191.0	177	19			84	93687	L12	VOLVO
	19 468	4	394	146.0	177	19					L12	
SL47719	19 477	4	420	188.0	203	20.6			64	8102080005	8x15	GIGANT GROUP, KAISER, SAF
	19 478	4	420	192.0	203	20					8x15	
SL47919	19 479	4	367	169.0	180	20.6			64	8102080026	8x18	SAF
	19 480	4	367	167.0	180	20					8x18	
SL49419	19 494	8	410	175.0	163	17			64	8162080002	8x18	MERCEDES-BENZ, OPTARE, RENAULT TRUCKS, VAN HOOL
SL49519	19 495	8	410	177.0	183	17			64	8162080002	8x18	MAN, MCW, MERCEDES-BENZ, RENAULT TRUCKS, STEYR, VAN HOOL
SL49619	19 496	8	410	177.0	223	17			64	8162080002	8x18	MAN, MCW, MERCEDES-BENZ, STEYR
SL49019	19 490	4	367	169.0	200	20.6			64	8102080005	8x15	SAF
	19 491	4	367	167.0	200	20					8x15	
SL49219	19 492	8	381	180.0	180	19.2			96	93684	L9	VOLVO
SL50319	19 503	4	360	316.0	170	16,0			72	8162080001	8x15	DAF, DENNIS, IVECO, PERROT BREMSSEN
SL51519	19 515	4	300	127.0	200	15.7			64	8102080026	8x18	KAISER, KING, LAG, SAF
	19 516	4	300	132.0	200	16.6					8x18	
SL51719	19 517	4	300	127.0	150	15.7			64	8102080026	8x18	SAF, TRAILOR
	19 518	4	300	131.0	150	16.6					8x18	
SL54219	19 542	8	381	180.0	200	19.2			96	93684	L9	DAF, VOLVO
SL55319	19 553	6	410	180.0	200	20.4			96	8162080001	8x15	ERF, IVECO, LIAZ, MERITOR, ROCKWELL
	19 554	2	410	180.0	200	20.4					8x15	
SL55519	19 555	2	410	180.0	180	20.4			96	8162080001	8x15	IVECO, MERITOR, ROCKWELL
	19 556	6	410	180.0	180	20.4					8x15	
SL55819	19 558	4	410	210.0	180	16			64	8103100002	10x18	INBUS, PERROT BREMSSEN , SAURER, SETRA
	19 559	4	410	207.0	180	16					10x18	
SL56019	19 560	4	414	197.0	152	19			88	93685	L10	IRISBUS, VOLVO
	19 561	4	414	159.0	152	19					L10	
SL56219	19 562	4	394	190.0	203	19			84	93685	L10	CAETANO PSV, IRISBUS, VOLVO
	19 563	4	394	146.0	203	19					L10	
SL56719	19 567	8	420	184.0	180	18			72	8162080002	8x18	IKARUS
SL56819	19 568	8	300	140.0	200	18			64	8102080026	8x18	KÄSSBOHRER
SL57319	19 573	8	300	144.0	150	18			64	8102080005	8x15	BPW

	WVA	#	Ø				!		#		
SL57419	19 574	8	300	144.0	200	18		64	8102080005	8x15	ACERBI, BAJ et FOND, BERTOJA, BPW, CARDI, KASSBOHRER, LECITRAILER, PIACENZA, ROLFO, TRABOSA, ZORZI
SL57919	19 579	4	410	214.0	163	18		72	8162080003	8x20	BOVA, IRISBUS, MAN, MERCEDES-BENZ, NEOPLAN, OPTARE, SANOS
SL58119	19 706	4	410	173.0	163	18				8x20	
	19 581	4	410	214.0	223	18		72	8162080003	8x20	BOVA, IRISBUS, MAN, MERCEDES-BENZ, NEOPLAN, OPTARE
SL602119	19 707	4	410	173.0	223	18				8x20	
	19 602	4	500	197.0	200	18		72	8102080026	8x18	BPW
SL60419	19 603	4	500	244.0	200	18				8x18	
	19 604	4	311	126.0	190	14.8		80	93685	L10	CRANE FRUEHAUF, DYSON, FRUEHAUF/BENALU, GRANNING LYNX, MERITOR, MOSELEY, SAMRO, SCAMMELL
SL61519	19 605	4	311	158.0	190	16.1				L10	
	19 615	4	420	195.0	180	22.15		128	93684	L9	AUTOSAN, KAROSA
SL61719	19 616	4	420	195.0	180	21.45				L9	
	19 617	4	419	210.0	203	18.5		160	93686	L11	DAF, LAG, OPTARE, VAN HOOL
SL62019	19 618	4	419	219.0	203	18.5				L11	
	19 620	2	325	210.0	150	12.5		64		5x12	DAF, IRISBUS, IVECO, RENAULT TRUCKS, VOLVO
	19 621	2	325	251.0	150	12.5				5x12	
SL62219	19 622	4	394	354.0	152	12.7		64		K8	BEDFORD, DAF, IVECO, RENAULT TRUCKS, VOLVO
SL63219	19 632	4	410	173.0	183	18.3		72	8162080002	8x18	SANOS
	19 633	4	410	217.0	183	18				8x18	
SL63419	19 634	4	410	207.0	160	15.9		64	8103100002	10x18	KNOTT, PERROT BREMSEN, SETRA
	19 635	4	410	207.0	160	15.9				10x18	
SL64119	19 641	8	434	208.0	220	18		128	8103100003	10x20	TAM
SL64219	19 642	4	409	165.0	160	13.75		56	8103100003	10x20	TAM
	19 643	4	409	215.0	160	13.75				10x20	
SL64319	19 643	8	409	215.0	160	13.75		64	8103100003	10x20	TAM
SL64419	19 644	8	420	204.0	200	17.8		80	8102080026	8x18	GORICA
SL64719	19 647	8	413	193.0	254	19.0		96	93687	L12	SCANIA
SL64819	19 648	8	420	186.0	160	16.0		64	8162080001	8x15	TATRA
SL46319	19 463	4	414	374.0	175	13.5		72	8162080002	8x18	AUTOSAN, IRISBUS, RENAULT TRUCKS
SL67619	19 676	4	300	265.0	200	10.0		56	8102080026	8x18	GORICA
SL67719	19 677	8	420	204.0	200	17.8		80			ITAS
SL68719	19 687	8	500	253.0	160	17.8		64	8103100002	10x18	KESSLER, KNOTT, PERROT BREMSEN
SL69019	19 690	8	500	253.0	180	17.8		64	8103100002	10x18	KESSLER, KNOTT, PERROT BREMSEN
SL69419	19 694	8	420	197.0	180	12.5		128	8162080003	8x20	IVECO
SL70019	19 700	8	335	156.0	210	14.5		128	93684	L9	PIACENZA, YORK TRAILERS
SL70819	19 708	6	360	174.0	183	16.25		96	8162080001	8x15	MAN, OPTARE
	19 867	2	360	174.0	183	16.25	with w.i.hole	24		8x15	
SL71319	19 713	8	410	175.0	163	17		64	8162080002	8x18	MAN
SL55619	19 556	4	410	180.0	180	20.4		96	8162080001	8x15	IVECO, MERITOR, ROCKWELL
	19 714	2	410	196.0	180	22.2				8x15	
	19 715	2	410	196.0	180	21.9				8x15	
SL55319	19 553	4	410	180.0	200	20.4		96	8162080001	8x15	ERF, IVECO, MERITOR, ROCKWELL
	19 716	2	410	196.0	200	22.2				8x15	
	19 717	2	410	196.0	200	21.9				8x15	
SL72219	19 722	4	420	195.0	180	21.4		128	93685	L10	IKARUS
	19 727	4	420	195.0	180	20.8				L10	
SL72319	19 723	8	410	178.0	180	18.2	Old version 8	64	8103100002	10x18	KESSLER, KNOTT, PERROT BREMSEN
SL71219	19 712	4	410	208.0	220	16.1		96	8103100002	10x18	PERROT BREMSEN, SETRA, VAN HOOL
	19 755	4	410	211.0	220	16				10x18	
SL71219	19 712	4	410	208.0	220	18.1		96	8103100002	10x18	IRISBUS, MENARINI, NEOPLAN, PERROT BREMSEN, SETRA, VAN HOOL
	19 755	4	410	211.0	220	18				10x18	
SL75619	19 756	4	300	312.0	160	12		48			BARTOLETTI
SL75819	19 758	4	360	174.0	170	14.8		112	93683	L8	VOLVO
	19 759	4	360	174.0	170	9.7				L8	
SL76019	19 760	4	305	144.0	150	15.9		48	8102080026	8x18	CASTERA
	19 761	4	305	140.0	150	15.8				8x18	
SL76219	19 762	4	305	143.0	200	15.9		64	8102080026	8x18	CASTERA, GIGANT GROUP, KAISER, LOHR, NICOLAS
	19 763	4	305	141.0	200	15.8				8x18	
SL77919	19 779	8	420	203.0	205	19		120	8162080003	8x20	ADIGE
SL78319	19 783	4	311	148.0	178	14.6		96	93684	L9	CARRIMORE, DYSON, HOYNOR, KING, MERITOR, VOLVO, YORK TRAILERS
	19 784	4	311	146.0	178	14.3				L9	
SL79519	19 795	8	300	141.0	180	14		64	8102080026	8x18	COMETTO

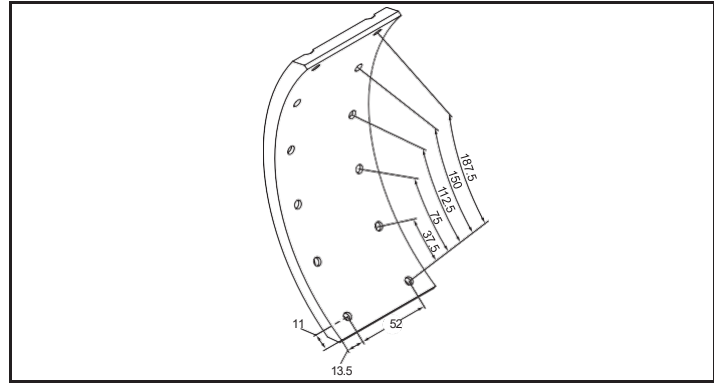
	WVA	#	Ø				!		#		
SL79919	19 799	4	394	146.0	254	19		84	93685	L10	CAETANO PSV, IRISBUS, VOLVO
	19 800	4	394	190.0	254	19				L10	
SL80119	19 801	4	430	207.0	200	17.75		96	8162080003	8x20	BARTOLETTI
	19 802	4	430	207.0	200	17.5				8x20	
SL82119	19 821	2	325	288.0	160	12.0		52	8103060007	6x15	IVECO, PERROT BREMSEN , STEYR
	19 822	2	325	249.0	160	12.0				6x15	
SL82319	19 823	2	410	202.0	200	18.9		96	8103100003	10x20	IRISBUS, VAN HOOL, VOLVO
	19 786	6	410	202.0	200	18.9				10x20	
SL78619	19 786	8	410	202.0	200	18		96	8103100003	10x20	TAM
SL82419	19 824	6	410	202.0	220	18.4		112	8103100002	10x18	IRISBUS, PERROT BREMSEN , VOLVO
	19 838	2	410	202.0	220	18.4				10x18	
SL82519	19 825	8	420	202.0	220	18		80	8102080026	8x18	BPW
SL50619	19 844	4	360	130.0	160	13.5		56	8162080001	8x15	MERCEDES-BENZ
	19 506	4	360	172.0	160	13.4				8x15	
SL84419	19 844	4	364	131.0	160	15.5		56	8162080001	8x15	MERCEDES-BENZ
	19 506	4	364	172.0	160	15.4				8x15	
SL69919	19 699	2	410	192.0	220	17.55		96	8103100002	10x18	DENNIS, MERCEDES-BENZ, NEOPLAN, PERROT
	19 847	2	410	192.0	220	17.55				10x18	BREMSEN , SETRA, VAN HOOL
	19 848	4	410	192.0	220	17.45				10x18	
SL84919	19 849	4	410	192.0	160	17.55		64	8103100002	10x18	MENARINI, NEOPLAN, PERROT BREMSEN , SETRA
	19 850	4	410	192.0	160	17.45				10x18	
SL60819	19 608	4	311	141.0	203	18.4		80	8102050013	5x15	ACERBI, BENALU, CRANE FRUEHAUF, FRUEHAUF/
	19 609	4	311	136.0	203	19.3				5x15	BENALU, GIGANT GROUP
SL87719	19 877	4	410	162.0	160	17.3		104	8103060007	6x15	PEGASO, SEDDON ATKINSON
	19 878	4	410	160.0	160	16.2				6x15	
SL87919	19 879	4	410	162.0	200	17.3		104	8103060007	6x15	ILASA-TMM, PEGASO, SEDDON ATKINSON
	19 881	4	410	162.0	200	16.5				6x15	
SL88519	19 885	4	394	190.0	240	19		84	93687	L12	VOLVO
	19 886	4	394	146.0	240	19				L12	
SL88719	19 887	8	394	178.0	178	19.3		128	93683	L8	FORD
SL88819	19 888	4	420	177.0	175	18.5		96	93686	L11	DAF
	19 889	4	420	179.0	175	19.1				L11	
SL89019	19 890	4	420	177.0	200	18.5		128	93685	L10	BOVA, DAF
	19 891	4	420	179.0	200	19.1				L10	
SL89219	19 892	4	355	157.0	200	18		80	8102080026	8x18	GIGANT GROUP, SAF
	19 893	4	355	168.0	200	18.8				8x18	
SL89619	19 896	8	419	196.0	178	18.0		112	93683	L8	IKARUS
SL90019	19 900	4	420	177.0	150	19.1		64	93686	L11	DAF, OPTARE
	19 901	4	420	179.0	150	18.5				L11	
SL90219	19 902	4	360	159.0	200	17.8		72	8102080005	8x15	BPW, GORICA
	19 903	4	360	188.0	200	17.8				8x15	
SL90819	19 908	4	350	149.0	200	18.1		80	93685	L10	MERITOR, SAMRO, ZORZI
	19 909	4	350	151.0	200	18.8				L10	
SL61719	19 617	4	419	210.0	203	18.5		144	93685	L10	DAF
	19 911	4	419	176.0	203	18.8				L10	
SL91219	19 912	4	355	157.0	150	18	Rivet	80		5x18	TRAILOR
	19 913	4	355	157.0	150	18.8				5x18	
SL91219	19 912	4	355	157.0	150	18		80	8102080026	8x18	GIGANT GROUP, LOHR, SAF, TRAILOR
	19 913	4	355	168.0	150	18.8	Rivet			8x18	
SL22519	19 225	4	360	318.0	170	14.0		72	8162080002	8x18	DENNIS, IVECO, NEOPLAN, PERROT BREMSEN
SL91919	19 919	4	414	371.0	150	13.0		72	8162080002	8x18	RENAULT TRUCKS
SL92119	19 921	8	394	191.0	200	19.3		128	93683	L8	AWD, DAF, FORD
SL92219	19 922	8	394	187.0	203	17.4		96	93685	L10	CAETANO PSV, DENNIS, ERF, STEYR
SL92319	19 923	4	360	351.0	170	16.5		88	93683	L8	DAF
SL92819	19 928	8	360	167.0	170	19.7		96	93683	L8	ROCKWELL, SOR, STEYR
SL93119	19 931	4	413	235.0	178	19.0		64	93280	6,65x	SCANIA
SL93219	19 932	4	413	235.0	203	19.0		64	93280	6,65x	SCANIA
SL93319	19 933	4	413	235.0	254	19.0		64	93280	6,65x	SCANIA
SL93419	19 934	8	414	187.0	150	18.5		64	8162080002	8x18	RENAULT TRUCKS
SL93519	19 935	8	414	187.0	175	18.5		64	8162080002	8x18	IRISBUS, RENAULT TRUCKS
SL94119	19 941	8	410	176.0	150	18.3		80/96	93683/93685	L8/L10	VOLVO NH12, 01/98 - B,F SERIES

	WVA	#	Ø				!		#		
SL94619	19 946	4	410	192.0	180	18.2		64	8103100002	10x18	PERROT BREMSSEN , VAN HOOL
	19 947	4	410	193.0	180	18.7				10x18	
SL95219	19 952	4	360	187.0	160	17.8		72	8102080005	8x15	BPW
	19 953	4	360	158.0	160	17.8				8x15	
SL96719	19 967	4	300	132.0	200	16,3		96	8102050013	5x15	BPW, TRAILOR
	19 968	4	300	129.0	200	15,4				5x15	
SL17315	55 173	4	310	307.0	80	8,0		64	8103060007	6x15	PEITZ
SL24857	57 248	4	300	248.0	135	11	18.5mm counter	40			A.D.R. , GKN FAD Axles
SL25017	57 250	4	300	246.6	135	11	16.5mm counter	40			A.D.R. , GKN FAD Axles
SL25157	57 251	4	300	248.5	100	11		40			A.D.R. , GKN FAD Axles
SL33519	59 335	4	300	286.0	160	11		48			A.D.R. , GKN FAD Axles
SL33819	59 338	4	300	286.0	150	11		64			A.D.R. , GKN FAD Axles
SL08219	59 082	4	300	285.0	179	9		32			COMETTO
SL08419	19840	4	419	189.0	178						
	19841	4	419	194.5	178						
SL97019	19709	4	325	249.0	150	14					RENAULT TRUCKS MIDLINER, 10/82 - 01/00
SL62515	15256	4	180	177.0	60	5					WABCO (Perrot Bremse)
SL68215	15826	4	310	152.0	80	8					BPW
SL62717	17276	4	430	181.5	140	15,16,17					MERCEDES-BENZ 19-20-222 T series T2/L, 68 - 88
SL36817	17683	4	410	178.0	143	17					MAN G/M/F 90 L/M/F/E 2000 TG-Serie
SL60519	19065	4	420	186.0	160						
SL31119	19113	4	410	177.5	180						
SL22319	19232	4	420	186.0	180	17					
SL13619	19361	4	420	182.5	180	18					LIAZ KAROSA
SL10419	19410	4	420	182.5	150	18					LIAZ KAROSA
SL85319	19538	4	420	186.0	180						
SL37119	19713	4	410	178.0	163	17					MAN F90 Unterflur, 06/86 - 09/96
SL58219	19825	4	420	203.5	220	18			309228020		BPW WARSTEIN
SL85819	19858	4	316	135.0	200	14.5					LECINENA LECITRAILER
	19859	4	316	156.0	200						
SL19719	19971	4	420	183.5	180						
SL29719	19972	4	420	182.5	180	18					KAROSA

SL03015 WVA (15030 + 15742)

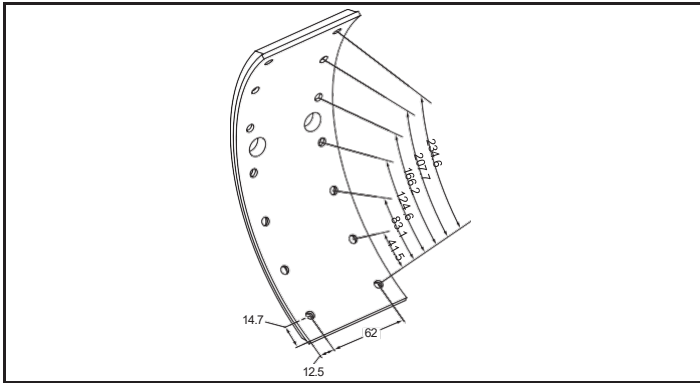


WVA	∅ mm	 mm	 mm	< mm	> mm	
15030	270	242.5	79.5	7.9	7.9	



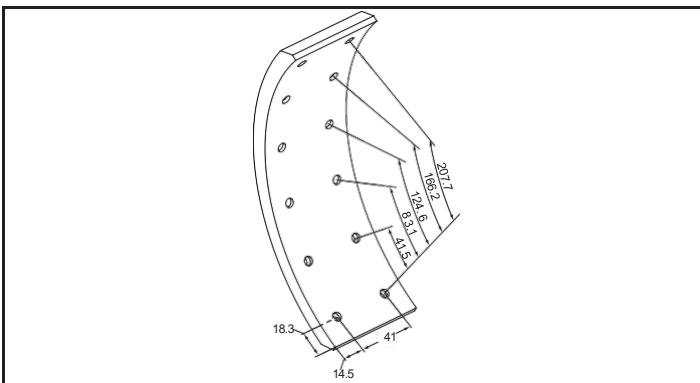
WVA	∅ mm	 mm	 mm	< mm	> mm	
15742	270	209.5	79.5	7.9	7.9	

SL05915 WVA (15059)

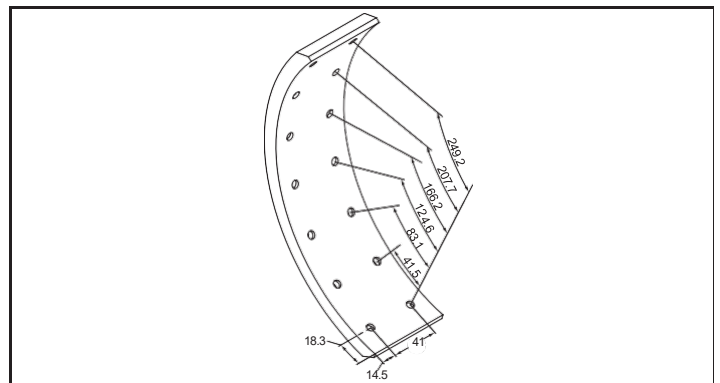


WVA	∅ mm	 mm	 mm	< mm	> mm	
15059	300	264	87.5	9.2	9.2	

SL34915 WVA (15349 + 15350)

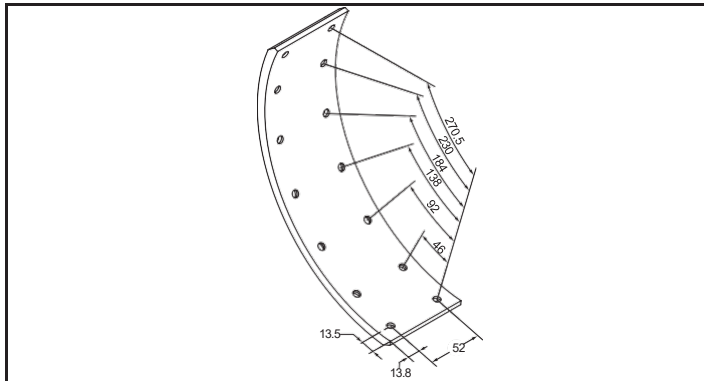


WVA	∅ mm	 mm	 mm	< mm	> mm	
15349	300	244.5	70	8.9	8.9	

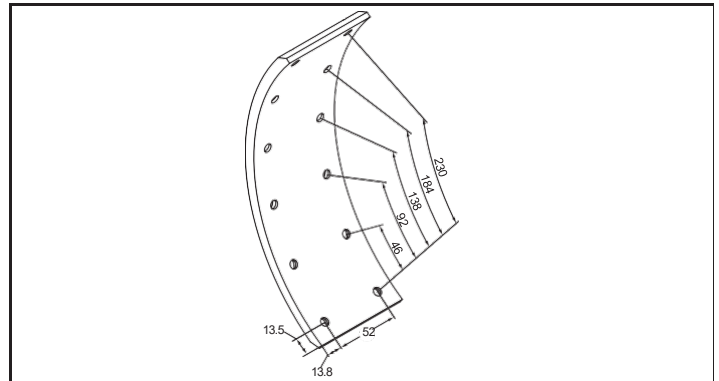


WVA	∅ mm	 mm	 mm	< mm	> mm	
15350	300	286	70	8.9	8.9	

SL73215 WVA (15732 + 15733)

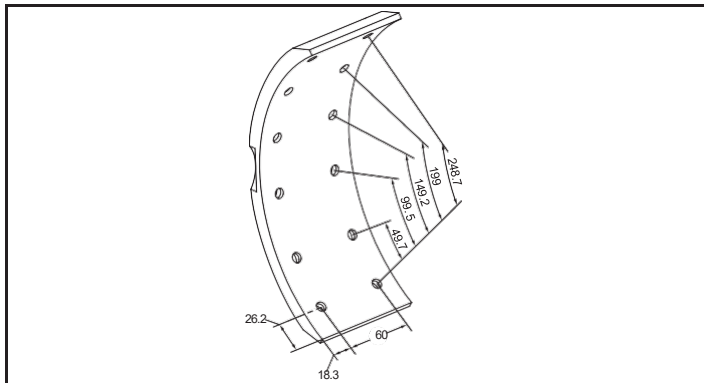


WVA	∅ mm	 mm	 mm	< mm	> mm	
15732	325	297.5	79.5	7	7	

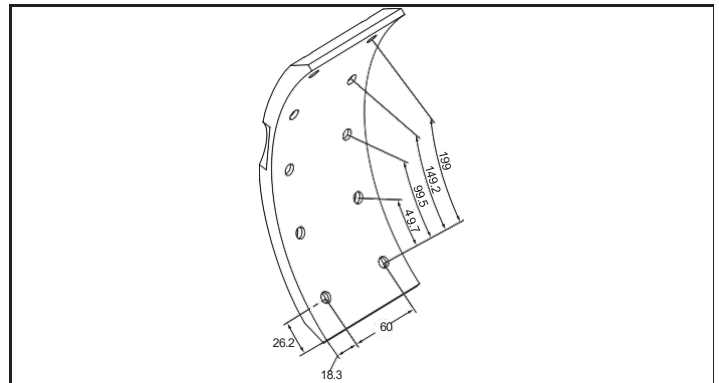


WVA	∅ mm	 mm	 mm	< mm	> mm	
15733	325	257	79.5	7	7	

SL81715 WVA (15817 + 15823)

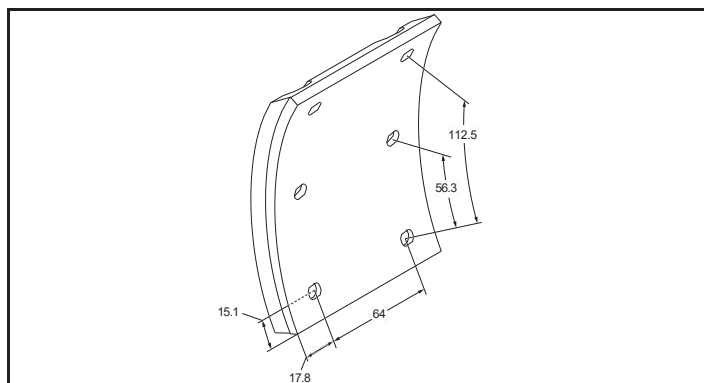


WVA	∅ mm	 mm	 mm	< mm	> mm	
15817	325	300.5	96.5	11.7	11.7	



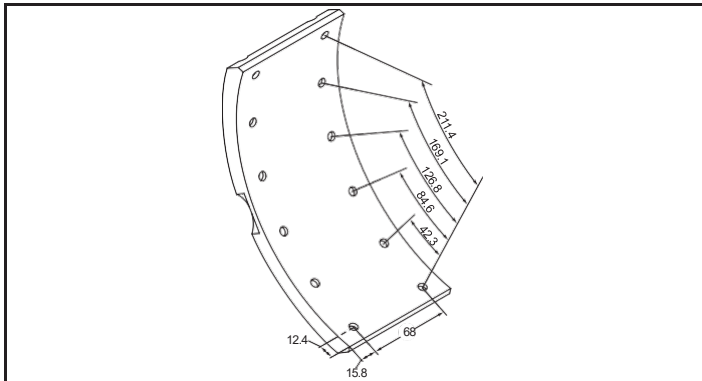
WVA	∅ mm	 mm	 mm	< mm	> mm	
15823	325	250.5	96.5	11.7	11.7	

SL87915 WVA (15879)

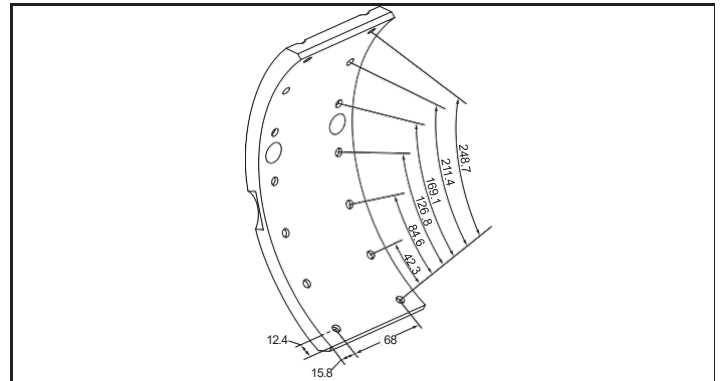


WVA	∅ mm	 mm	 mm	< mm	> mm	
15879	325	142	99.5	12.6	16.3	

SL31317 WVA (17313 + 17318)

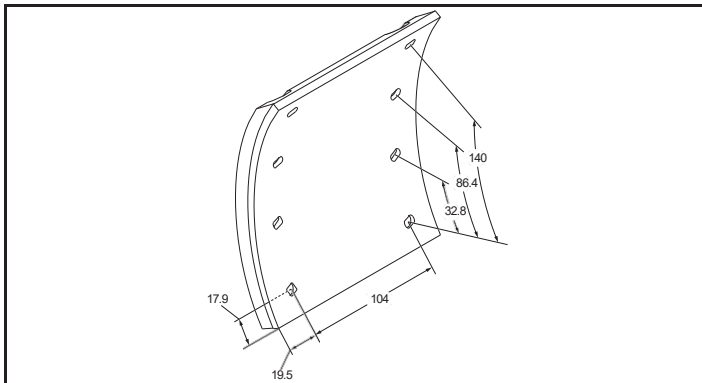


WVA	∅ mm	 mm	 mm	< mm	> mm	
17313	310	236.5	99.5	12.8	12.8	



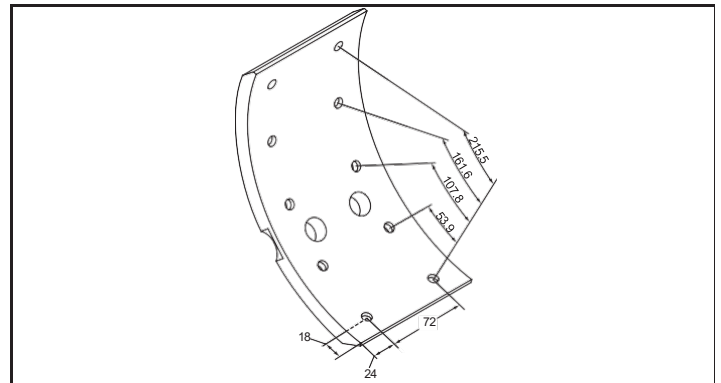
WVA	∅ mm	 mm	 mm	< mm	> mm	
17318	310	273.5	99.5	12.8	12.8	

SL01717 WVA (17017)



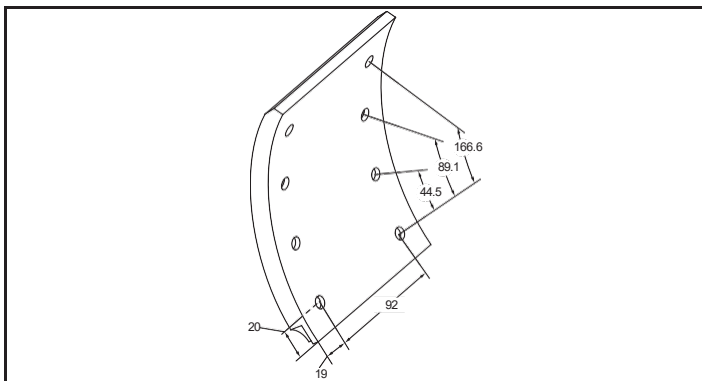
WVA	∅ mm	 mm	 mm	< mm	> mm	
17017	360	174.5	143	12.2	15.8	

SL28017 WVA (17280)

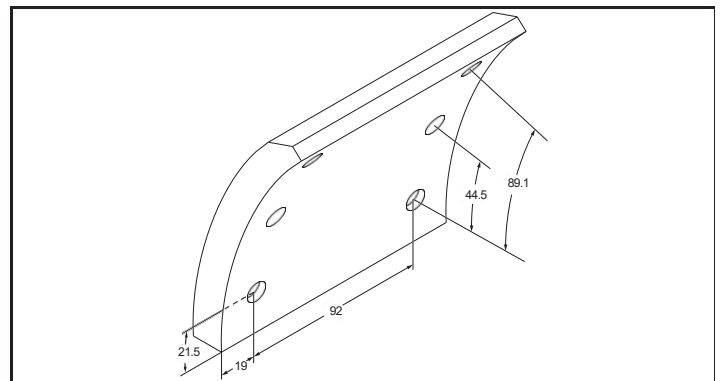


WVA	∅ mm	 mm	 mm	< mm	> mm	
17280	308	259	120	10.2	12.5	

SL29017 WVA (17949 + 17950)

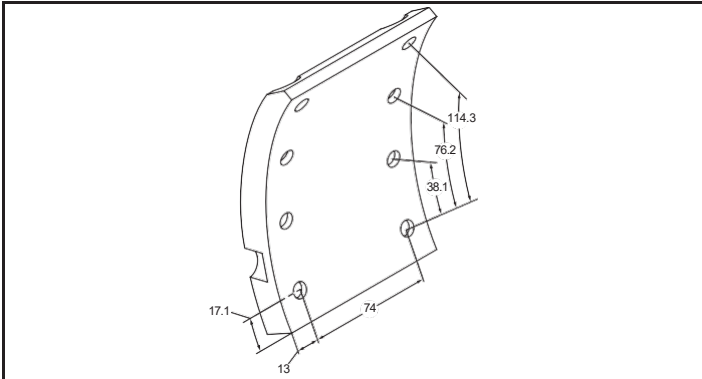


WVA	∅ mm	 mm	 mm	< mm	> mm	
17949	360	173.5	130	8.8	13.1	



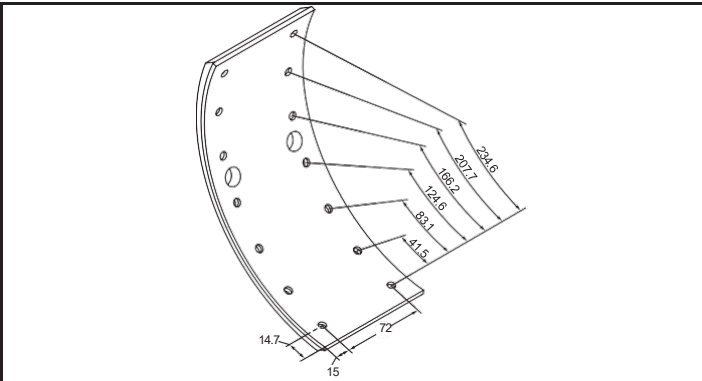
WVA	∅ mm	 mm	 mm	< mm	> mm	
17950	360	130.5	130	11.8	13.4	

SL34717 WVA (17347)

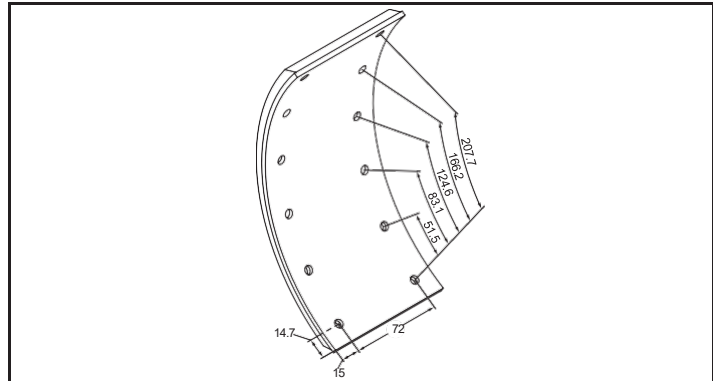


WVA	∅ mm	 mm	 mm	< mm	> mm	
17347	300	145.5	100	11.5	16.8	

SL35017 WVA (17350 +17973)

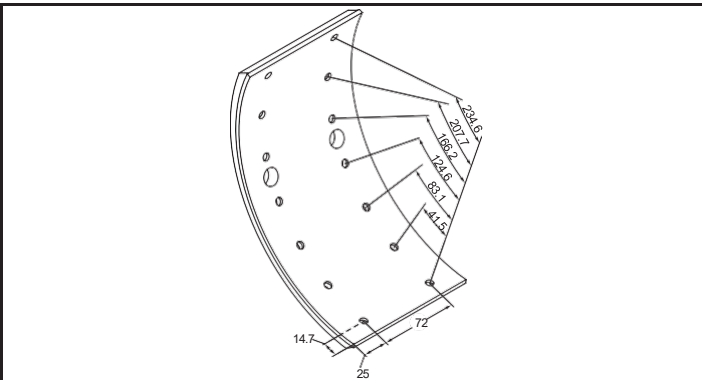


WVA	∅ mm	 mm	 mm	< mm	> mm	
17350	300	264	102.5	9.2	9.2	

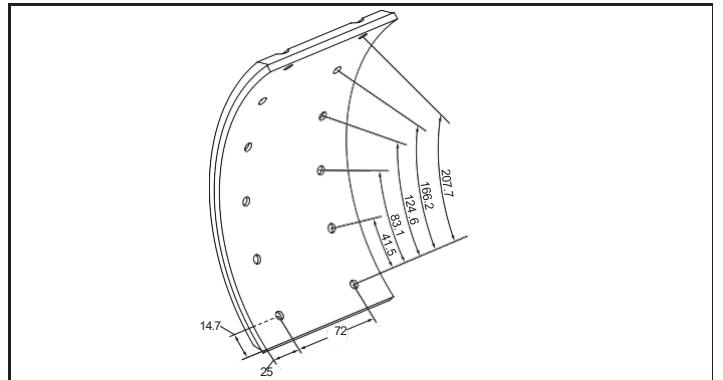


WVA	∅ mm	 mm	 mm	< mm	> mm	
17973	300	237	102.5	9.2	9.2	

SL35117 WVA (17351 +17975)

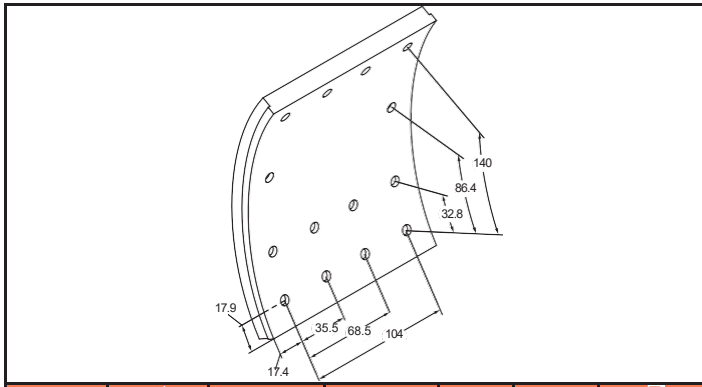


WVA	∅ mm	 mm	 mm	< mm	> mm	
17351	300	264	122.5	9.2	9.2	

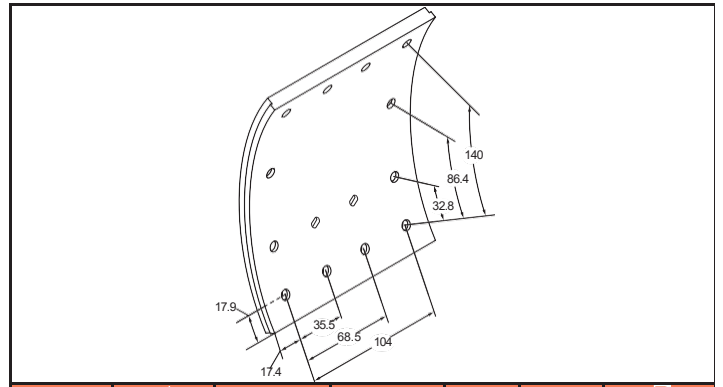


WVA	∅ mm	 mm	 mm	< mm	> mm	
17975	300	237	122.5	9.2	9.2	

SL35717 WVA (17357 + 17358)

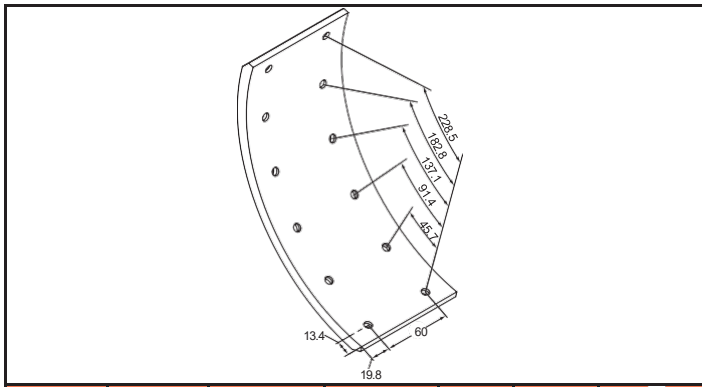


WVA	∅ mm	 mm	 mm	< mm	> mm	
17357	360	174.5	138.5	12.1	14.8	

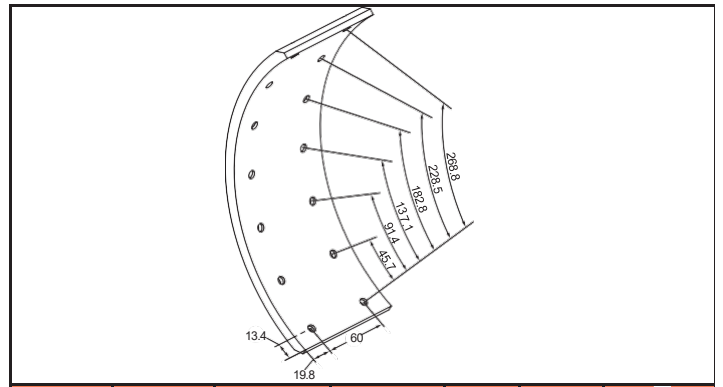


WVA	∅ mm	 mm	 mm	< mm	> mm	
17358	360	174.5	138.5	8.3	9.7	

SL40817 WVA (17408 + 17793)

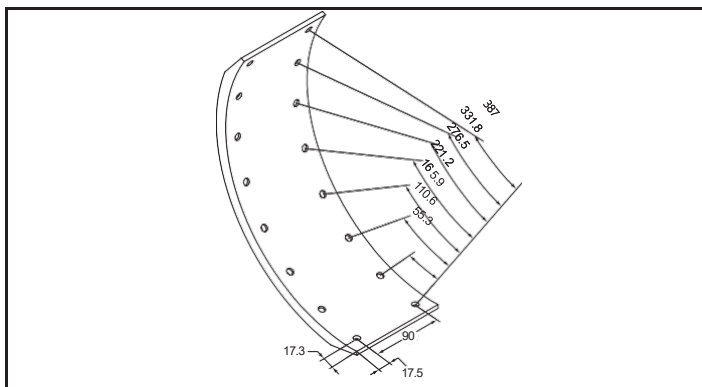


WVA	∅ mm	 mm	 mm	< mm	> mm	
17408	325	255.5	99.5	8	8	



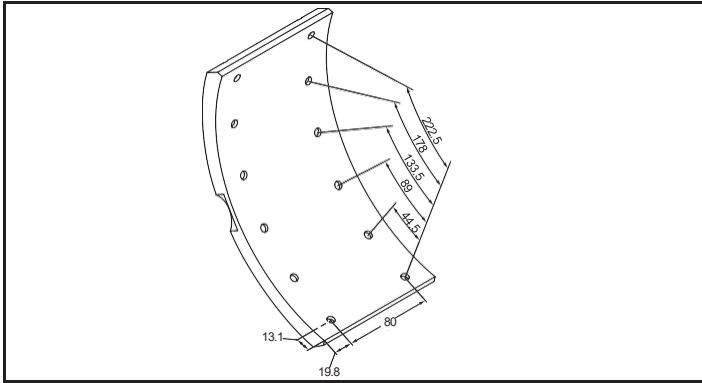
WVA	∅ mm	 mm	 mm	< mm	> mm	
17793	325	295.5	99.5	8	8	

SL48117 WVA (17481)

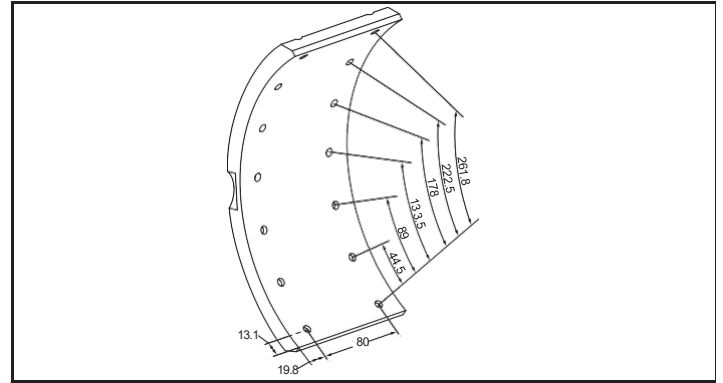


WVA	∅ mm	 mm	 mm	< mm	> mm	
17481	420	421.5	125	12.3	12.3	

SL63517 WVA (17635 + 17636)

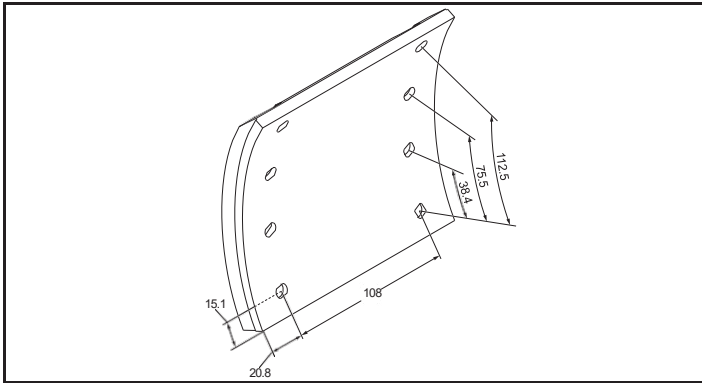


WVA	∅ mm	mm	mm	< mm	> mm	
17635	325	248.5	119.5	11.9	11.9	



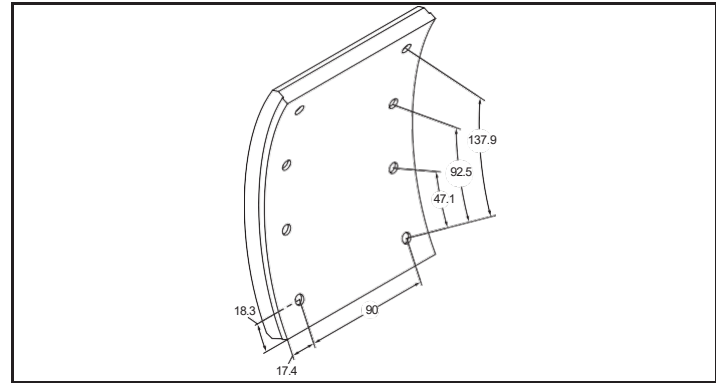
WVA	∅ mm	mm	mm	< mm	> mm	
17636	325	288	119.5	11.9	11.9	

SL98817 WVA (17988)



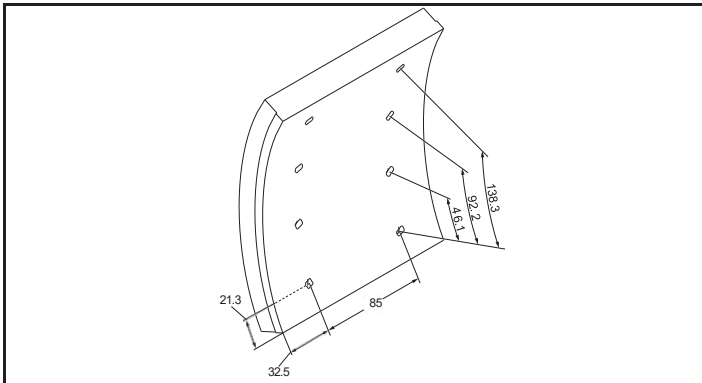
WVA	∅ mm	mm	mm	< mm	> mm	
17988	325	142	149.5	12.6	16.3	

SL99217 WVA (17992)

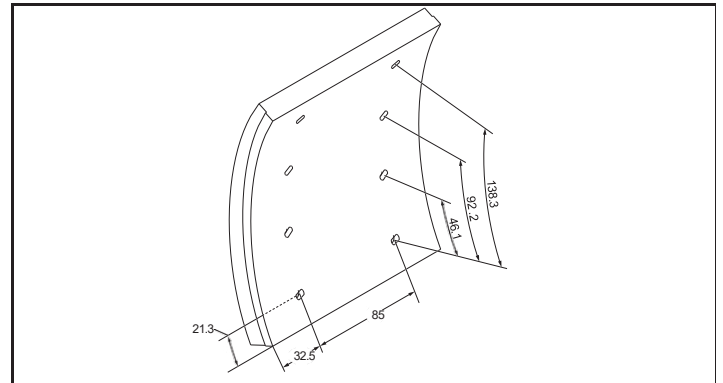


WVA	∅ mm	mm	mm	< mm	> mm	
17992	410	178	124.5	13.2	17.8	

SL01019 WVA (19010 + 19011)

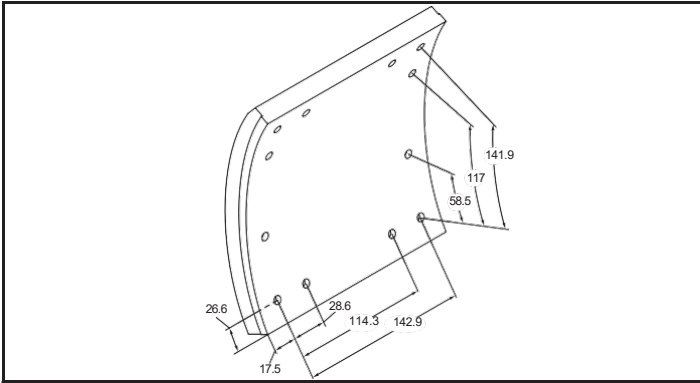


WVA	∅ mm	mm	mm	< mm	> mm	
19010	420	176.5	150	17.8	20.6	

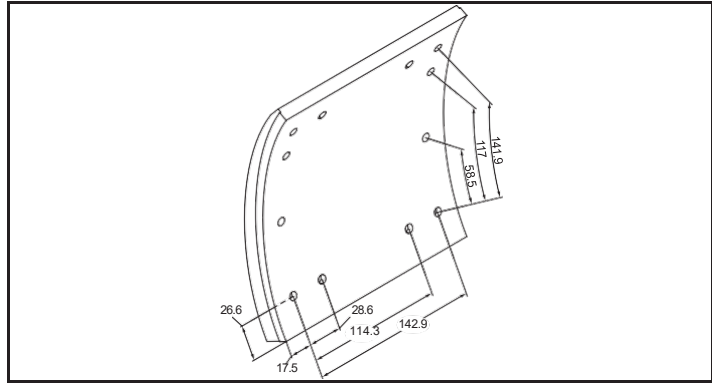


WVA	∅ mm	mm	mm	< mm	> mm	
19011	420	180	150	13.3	19.9	

SL03019 WVA (19030 + 19033)

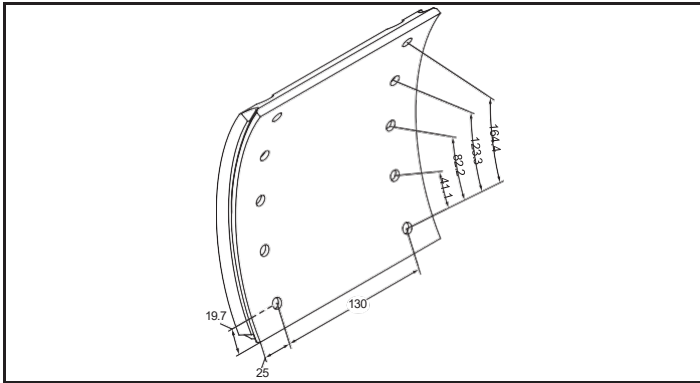


WVA	∅ mm	mm	mm	< mm	> mm	
19030	419	189	178	17.3	21.6	



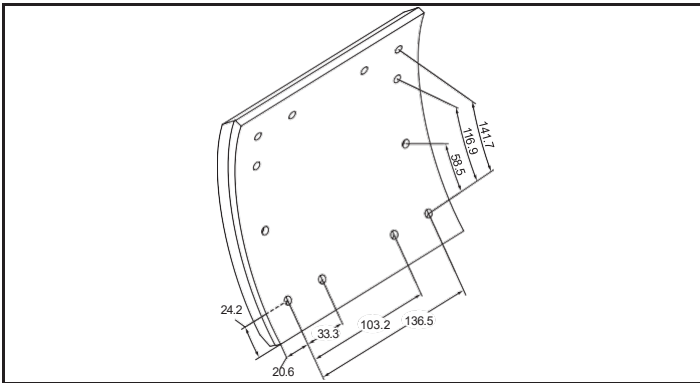
WVA	∅ mm	mm	mm	< mm	> mm	
19033	419	194.5	178	12.3	20.9	

SL03219 WVA (19032)

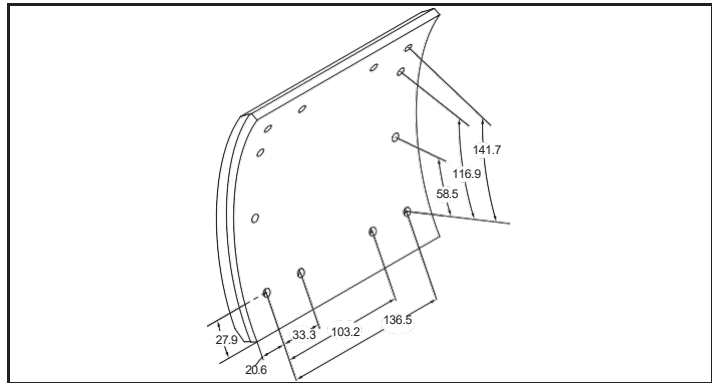


WVA	∅ mm	mm	mm	< mm	> mm	
19032	420	203.5	180	11.1	16.8	

SL06319 WVA (19036 + 19037)

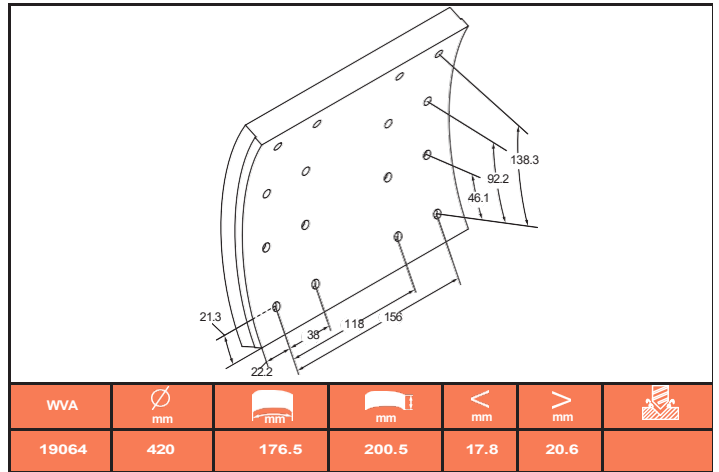
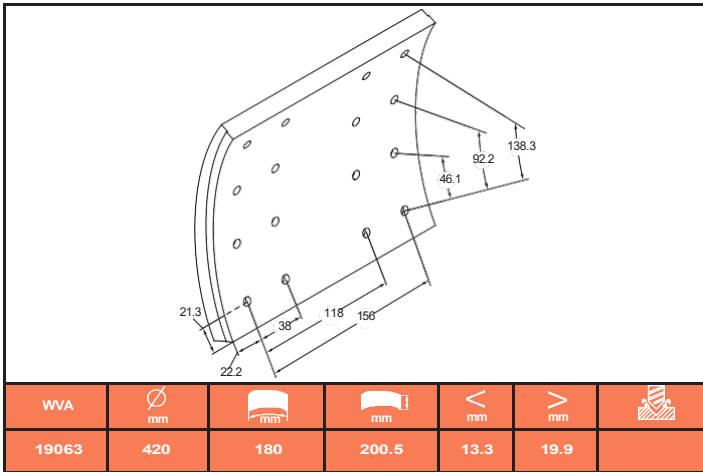


WVA	∅ mm	mm	mm	< mm	> mm	
19036	419	189	178	15.4	18.5	

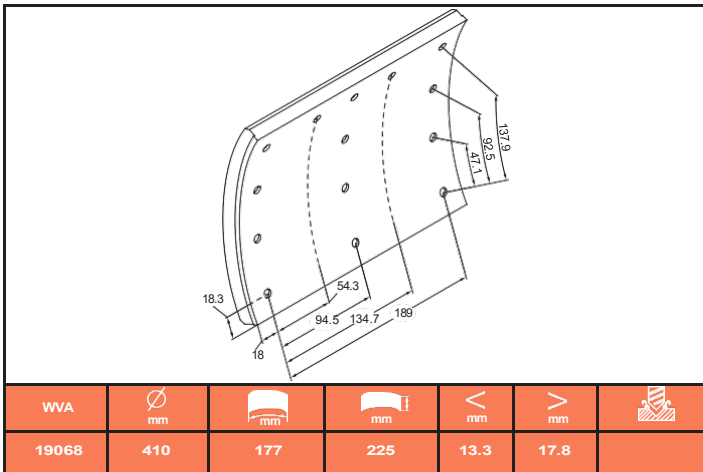


WVA	∅ mm	mm	mm	< mm	> mm	
19037	419	194.5	178	11	17.9	

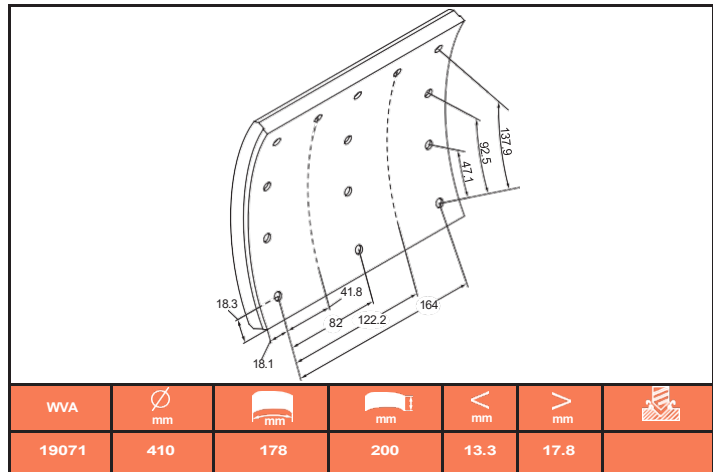
SL06319 WVA (19063 + 19064)



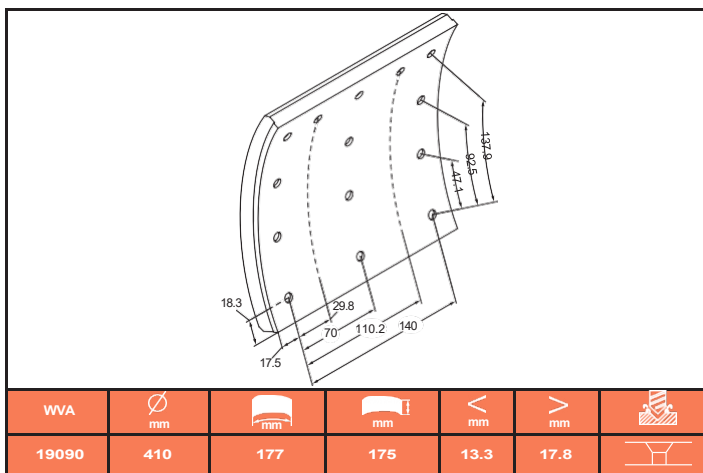
SL06819 WVA (19068)



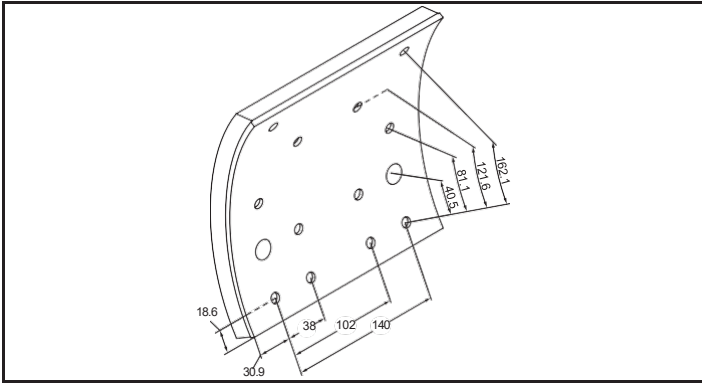
SL07119 WVA (19071)



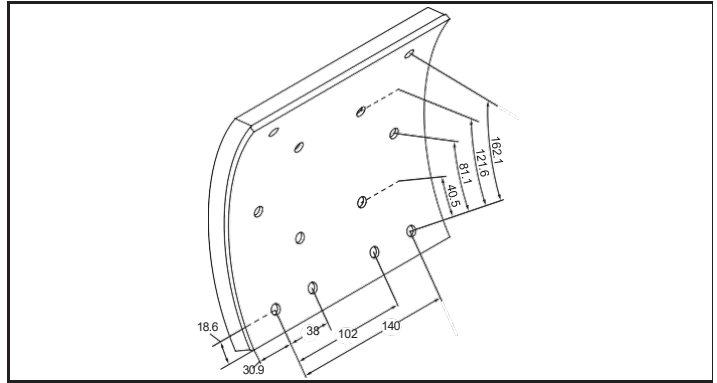
SL09019 WVA (19090)



SL09119 WVA (19091 + 19098)

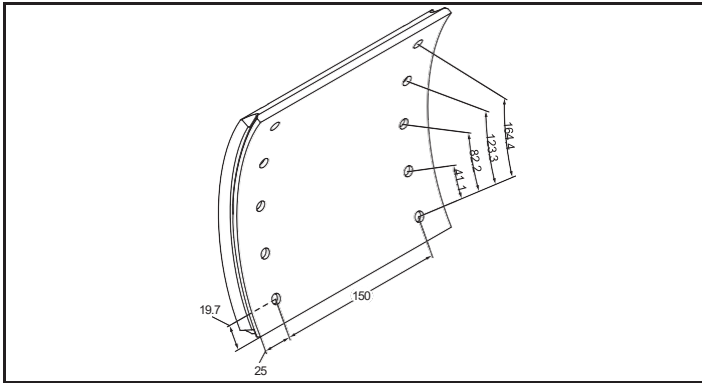


WVA	∅ mm	 mm	 mm	< mm	> mm	
19091	410	204.5	202	17	21.7	



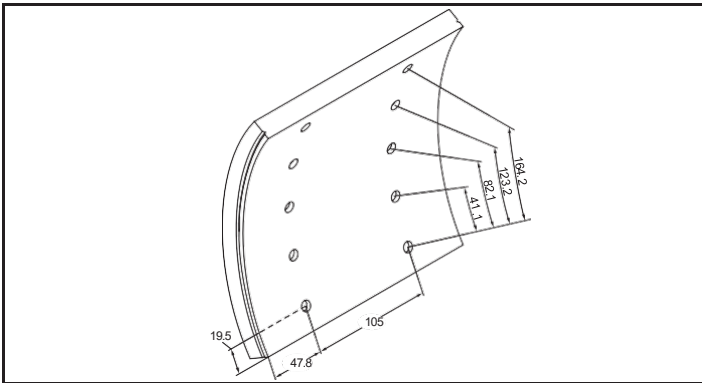
WVA	∅ mm	 mm	 mm	< mm	> mm	
19098	410	204.5	202	17	21.7	

SL09419 WVA (19094)

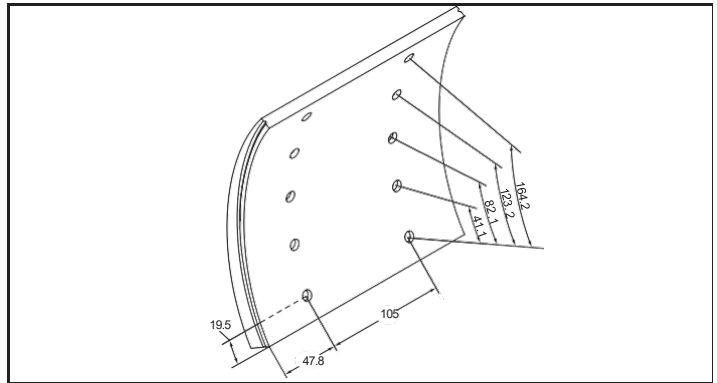


WVA	∅ mm	 mm	 mm	< mm	> mm	
19094	420	203.5	200	11.1	16.8	

SL16619 WVA (19166 + 19167)

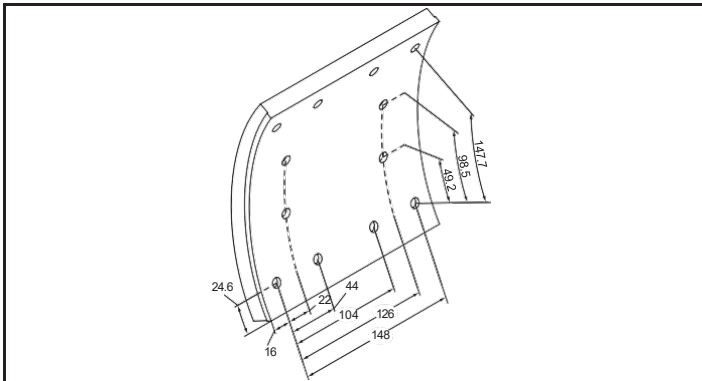


WVA	∅ mm	 mm	 mm	< mm	> mm	
19166	400	204.5	200.5	14.8	18.9	

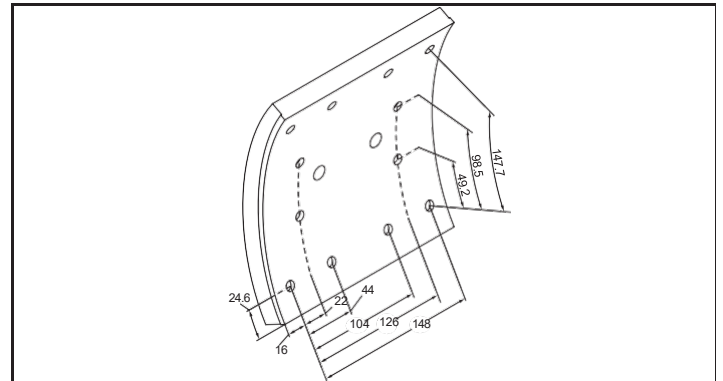


WVA	∅ mm	 mm	 mm	< mm	> mm	
19167	400	204.5	200.5	7	18.2	

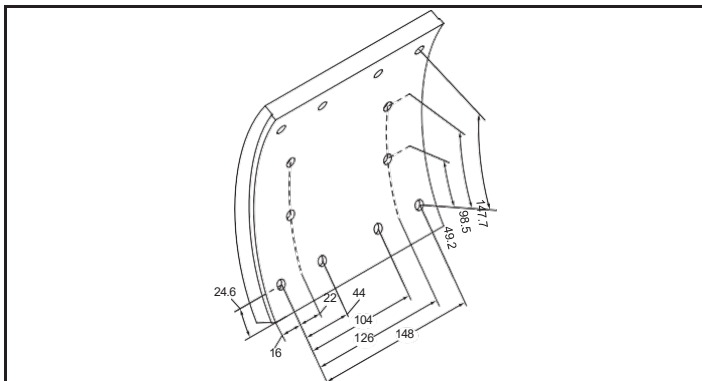
SL55619 WVA (19556 + 19714 + 19715)



WVA	∅ mm	mm	mm	< mm	> mm	
19556	410	196.5	180	12	19.2	

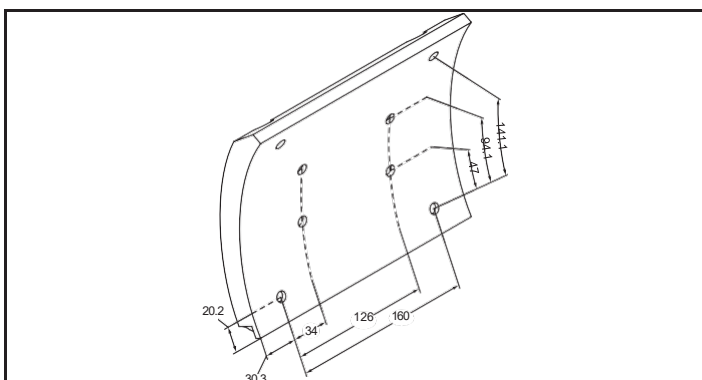


WVA	∅ mm	mm	mm	< mm	> mm	
19714	410	196.5	180	14.2	21	



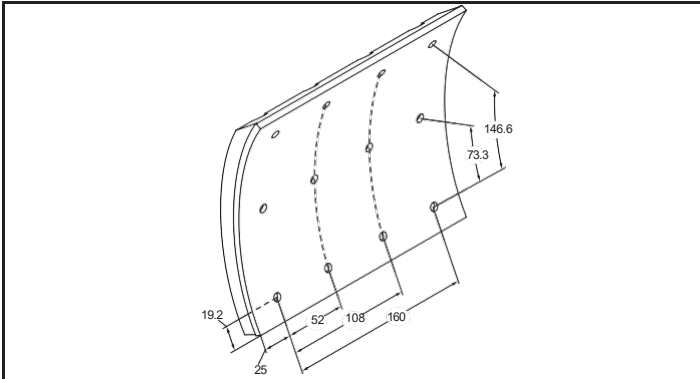
WVA	∅ mm	mm	mm	< mm	> mm	
19715	410	196.5	180	12.3	20.7	

SL18719 WVA (19187)

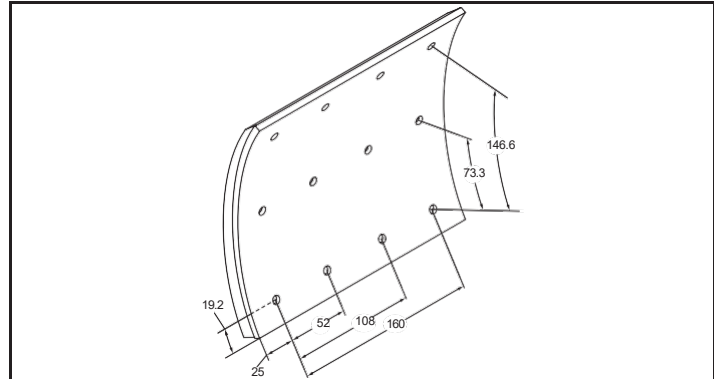


WVA	∅ mm	mm	mm	< mm	> mm	
19187	414	184	220.5	18.3	18.3	

SL21719 WVA (19217 + 19218)

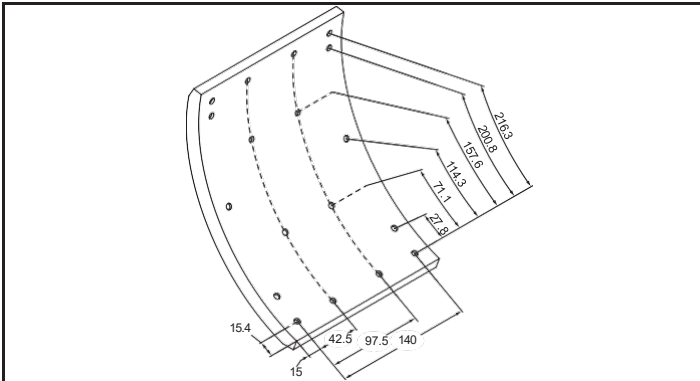


WVA	∅ mm	mm	mm	< mm	> mm	
19217	410	190	210	17.1	19.6	

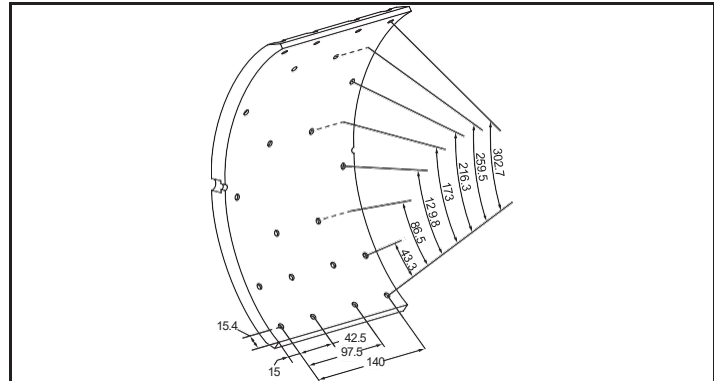


WVA	∅ mm	mm	mm	< mm	> mm	
19218	410	190	210	10.7	18.7	

SL25519 WVA (19255 + 19259)

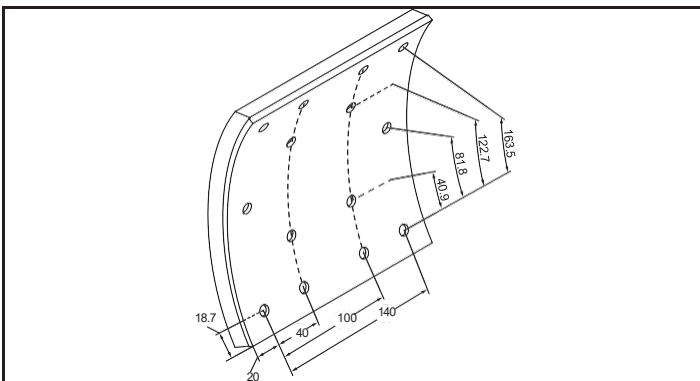


WVA	∅ mm	mm	mm	< mm	> mm	
19255	360	247	170	13.2	15.9	

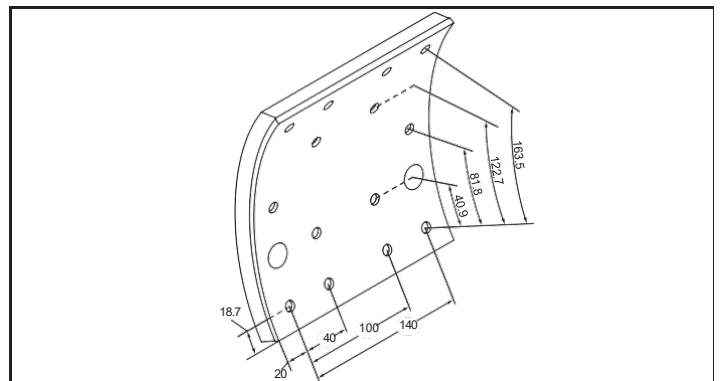


WVA	∅ mm	mm	mm	< mm	> mm	
19259	360	333.5	170	11.2	13.2	

SL26219 WVA (19262 + 19342)

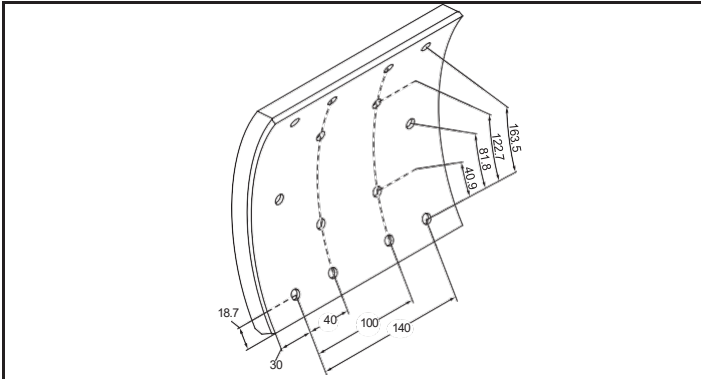


WVA	∅ mm	mm	mm	< mm	> mm	
19262	410	202.5	180	15.1	19.6	

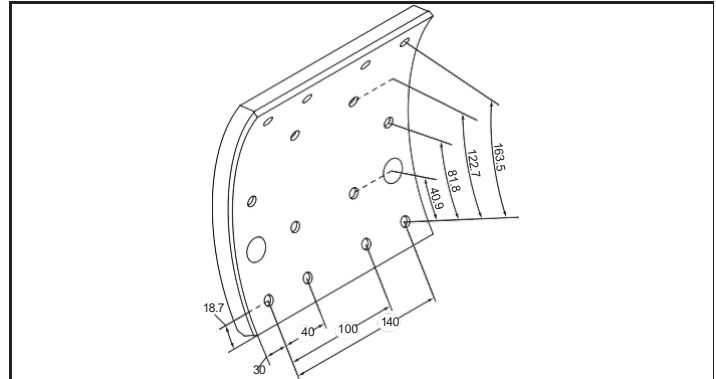


WVA	∅ mm	mm	mm	< mm	> mm	
19342	410	202.5	180	15.1	19.6	

SL28319 WVA (19263 + 19343)

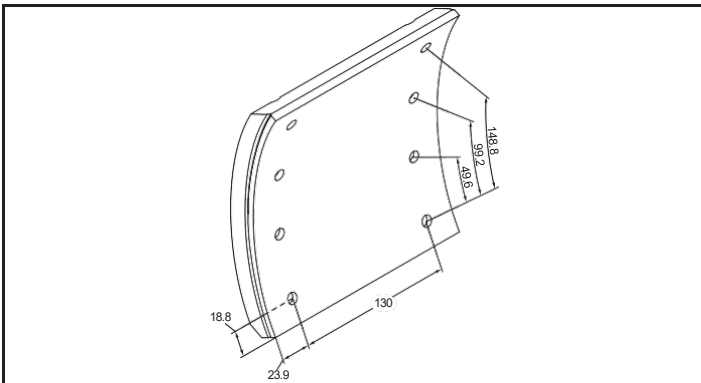


WVA	∅ mm	 mm	 mm	< mm	> mm	
19263	410	202.5	200	15.1	19.6	

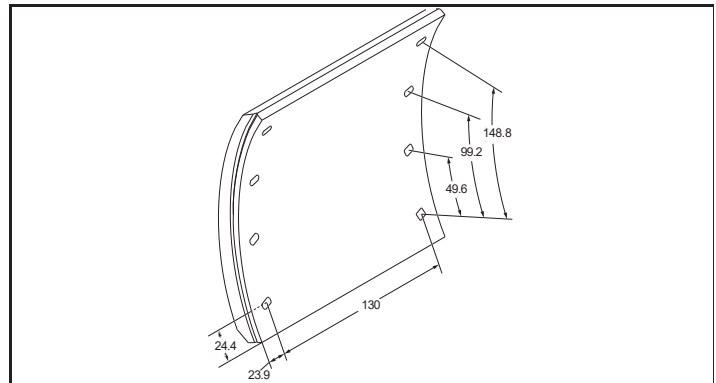


WVA	∅ mm	 mm	 mm	< mm	> mm	
19343	410	202.5	200	15.1	19.6	

SL28319 WVA (19283 + 19284)

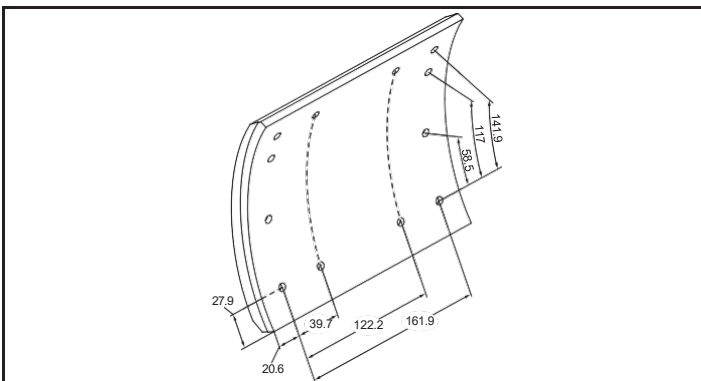


WVA	∅ mm	 mm	 mm	< mm	> mm	
19283	420	189	178	16.8	20	

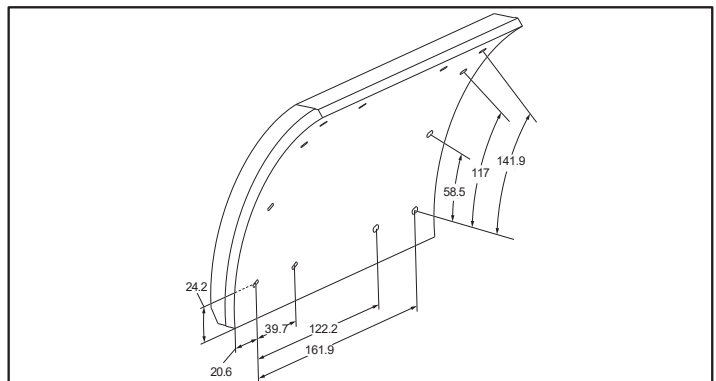


WVA	∅ mm	 mm	 mm	< mm	> mm	
19284	420	194.5	178	12.4	19.4	

SL36519 WVA (19365 + 19366)

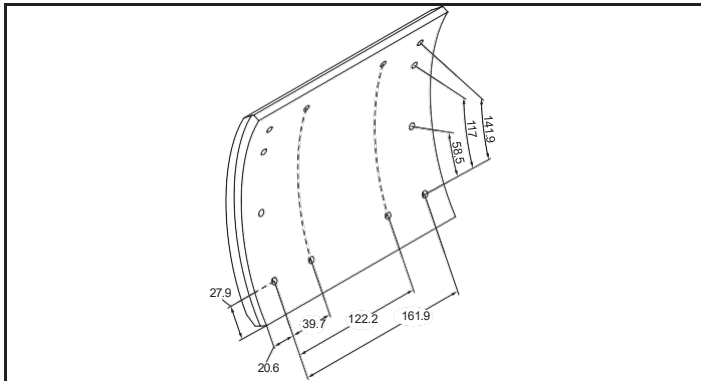


WVA	∅ mm	 mm	 mm	< mm	> mm	
19365	419	194.5	203	11	17.9	

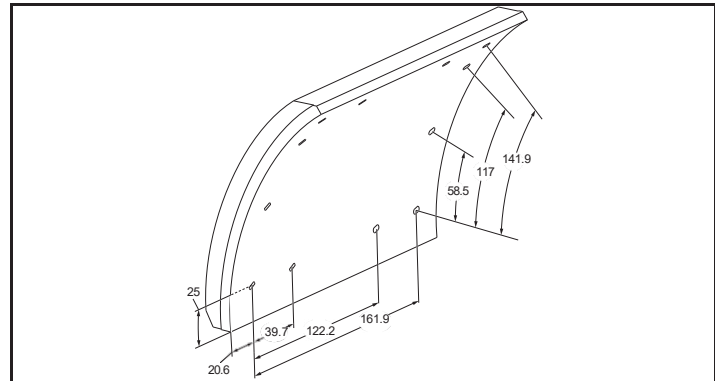


WVA	∅ mm	 mm	 mm	< mm	> mm	
19366	419	189	203	15.2	18.6	

SL36519 WVA (19365 + 19366)

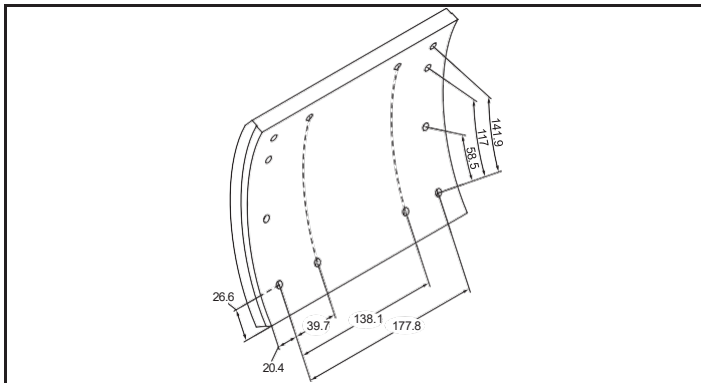


WVA	∅ mm	mm	mm	< mm	> mm	
19365	419	194.5	203	11.5	18	

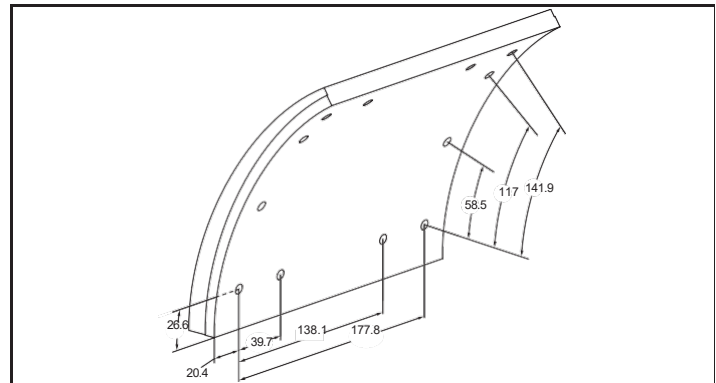


WVA	∅ mm	mm	mm	< mm	> mm	
19366	419	189	203	15.8	18.6	

SL36919 WVA (19842 + 19843)

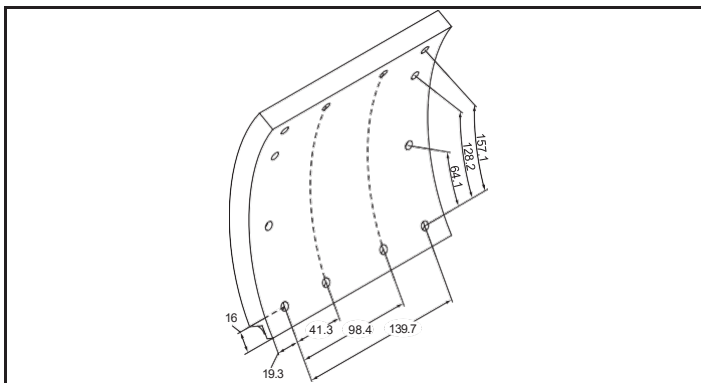


WVA	∅ mm	mm	mm	< mm	> mm	
19842	419	189	218.5	15.3	18.7	

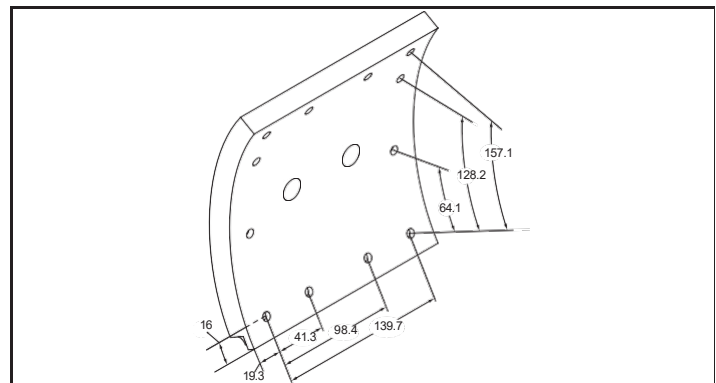


WVA	∅ mm	mm	mm	< mm	> mm	
19843	419	194.5	218.5	11.1	18	

SL38419 WVA (19384 + 19385)

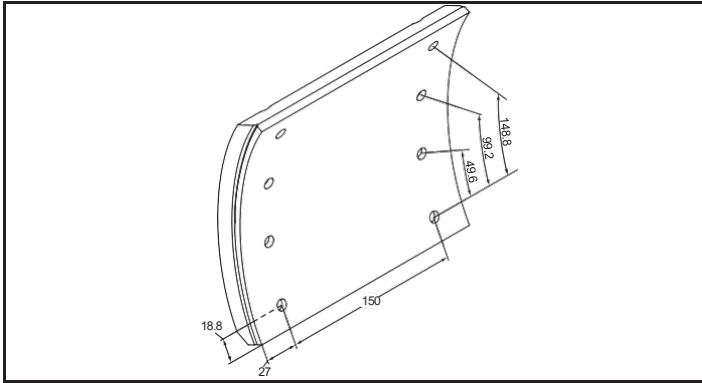


WVA	∅ mm	mm	mm	< mm	> mm	
19384	381	189	178.5	13	17.9	

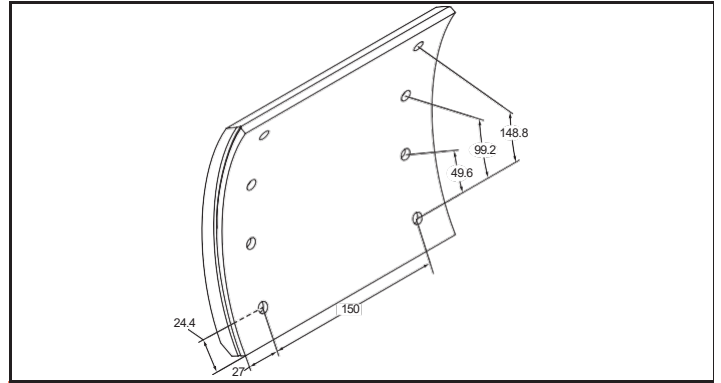


WVA	∅ mm	mm	mm	< mm	> mm	
19385	381	189	178.5	13	17.9	

SL47719 WVA (19477 + 19478)

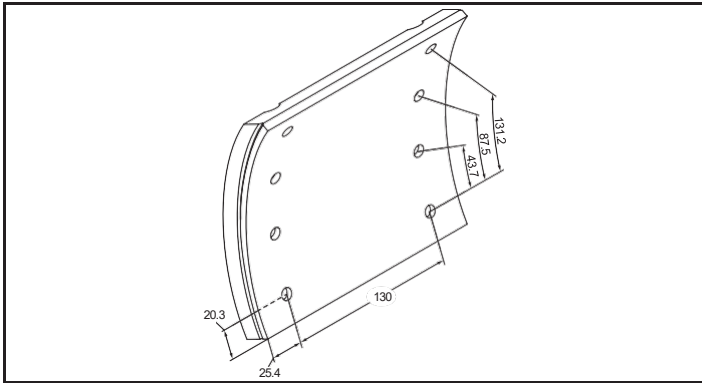


WVA	∅ mm	 mm	 mm	< mm	> mm	
19477	420	189	204	16.7	19.9	

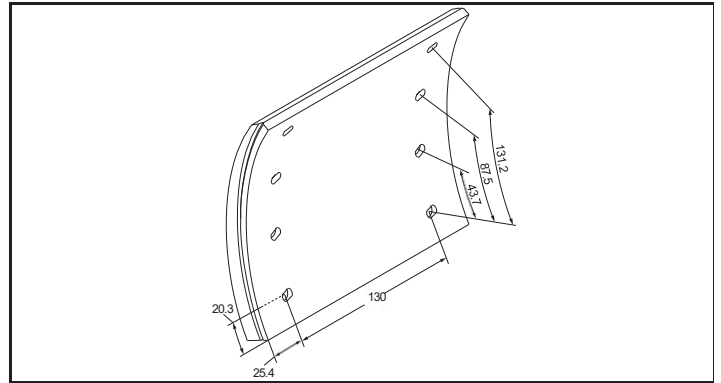


WVA	∅ mm	 mm	 mm	< mm	> mm	
19478	420	194.5	204	12.3	19.3	

SL47919 WVA (19479 + 19480)

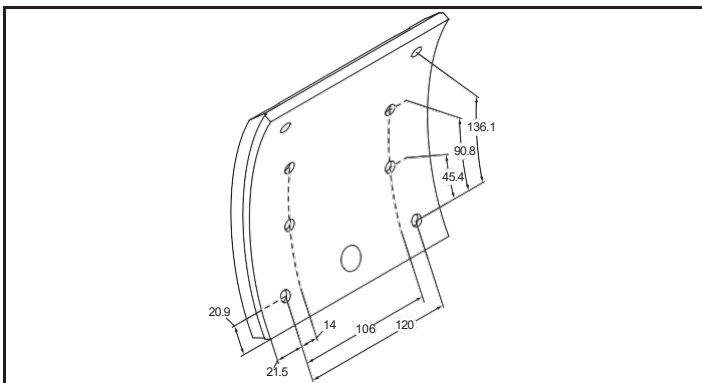


WVA	∅ mm	 mm	 mm	< mm	> mm	
19479	367	170.5	181	16.1	19.9	



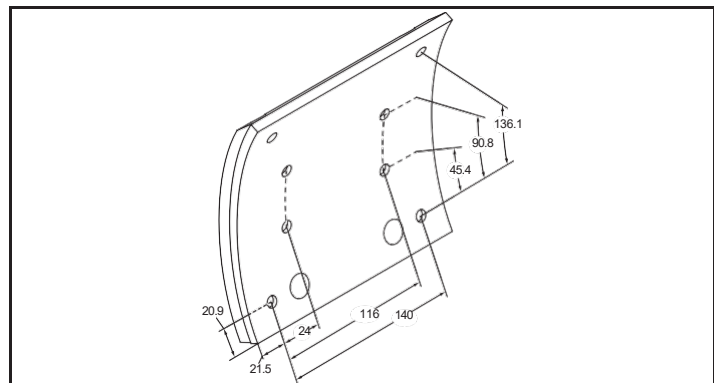
WVA	∅ mm	 mm	 mm	< mm	> mm	
19480	367	170.5	181	11.2	19.1	

SL49419 WVA (19494)



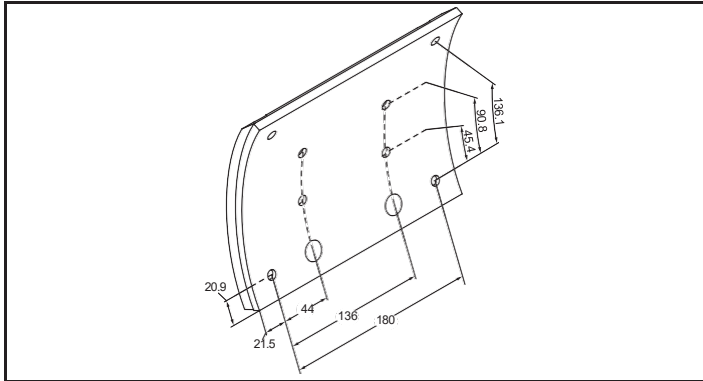
WVA	∅ mm	 mm	 mm	< mm	> mm	
19494	410	178	163	12.7	16.8	

SL49519 WVA (19495)



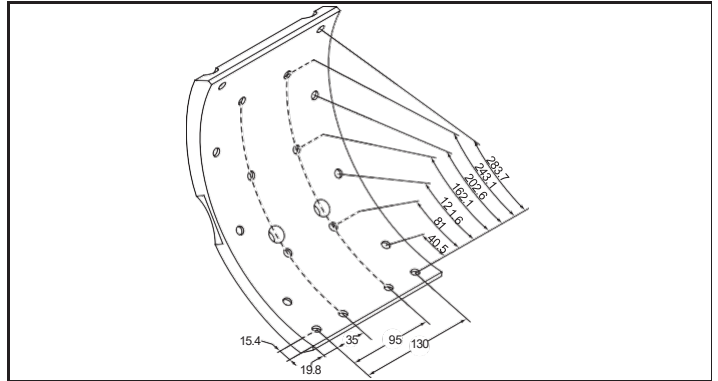
WVA	∅ mm	 mm	 mm	< mm	> mm	
19495	410	178	183	12.7	16.8	

SL49619 WVA (19496)



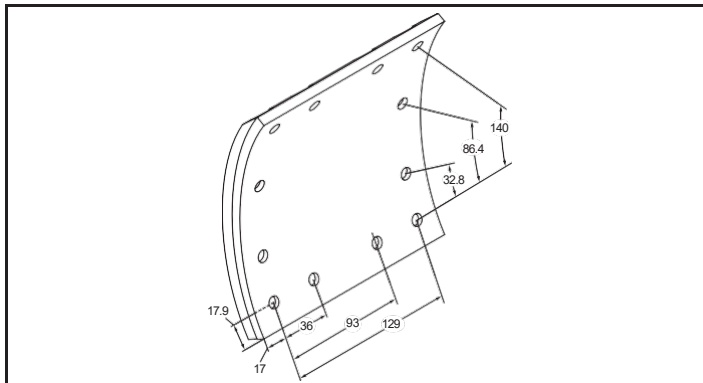
WVA	∅ mm	mm	mm	< mm	> mm	
19496	410	178	223	12.7	16.8	

SL50319 WVA (19503)



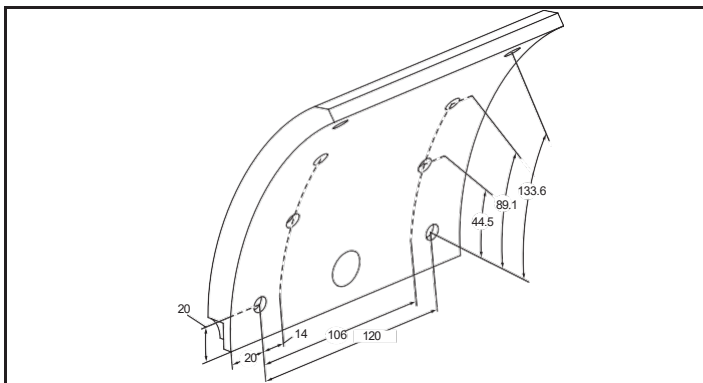
WVA	∅ mm	mm	mm	< mm	> mm	
19503	360	314.5	169.5	16	16	

SL17719 WVA (19177)

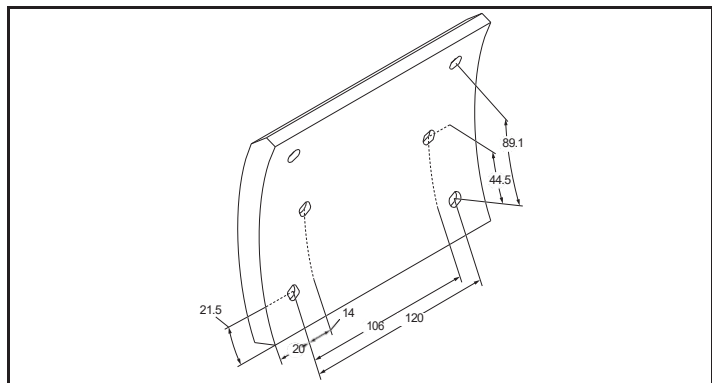


WVA	∅ mm	mm	mm	< mm	> mm	
19177	360	174.5	163	12.2	15.8	

SL84419 WVA (19506 + 19844)

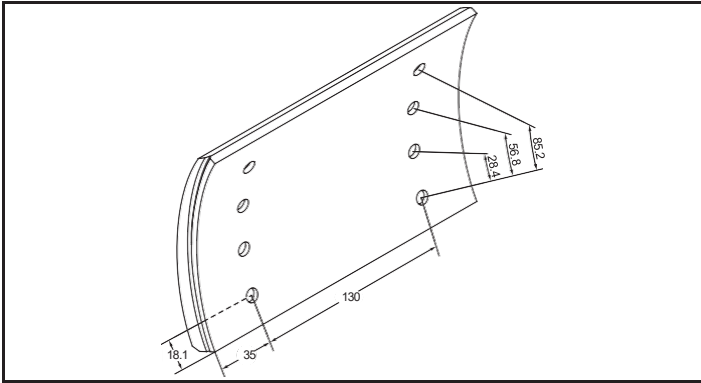


WVA	∅ mm	mm	mm	< mm	> mm	
19506	364	173.5	160	8.8	13.1	

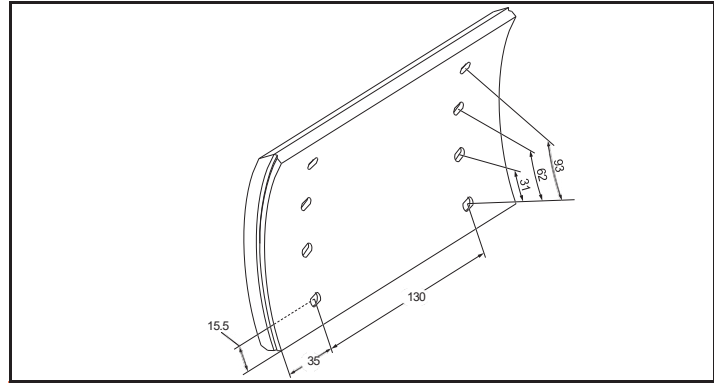


WVA	∅ mm	mm	mm	< mm	> mm	
19844	364	130.5	160	11.8	13.4	

SL51519 WVA (19515 + 19516)

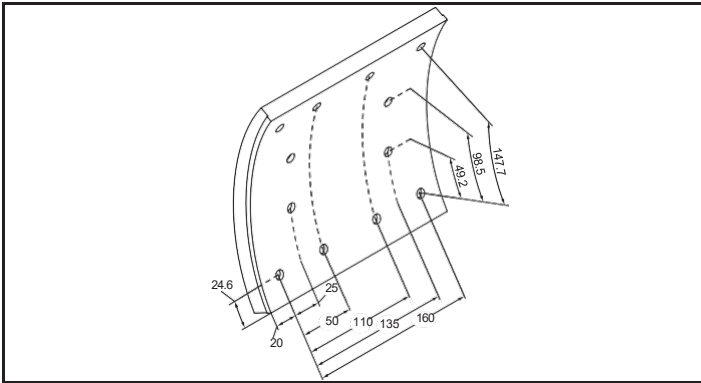


WVA	∅ mm	 mm	 mm	< mm	> mm	
19515	300	129	200	9.3	15	

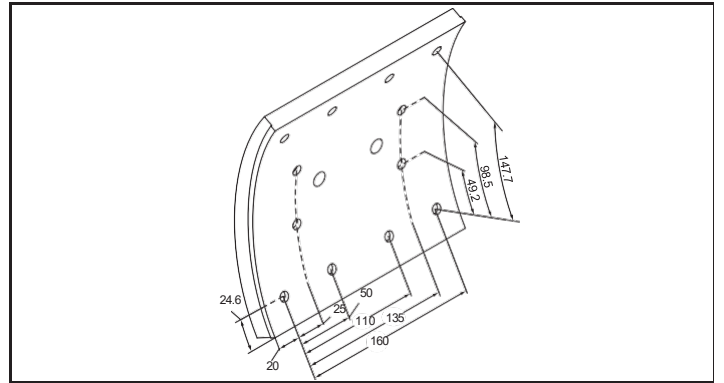


WVA	∅ mm	 mm	 mm	< mm	> mm	
19516	300	131.5	200	13.4	15.9	

SL55319 WVA (19553 + 19554)

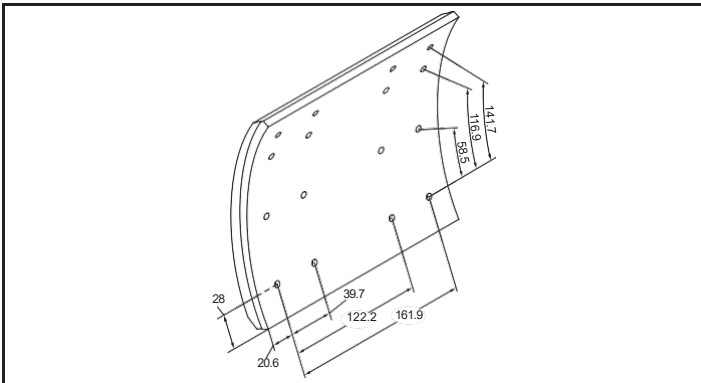


WVA	∅ mm	 mm	 mm	< mm	> mm	
19553	410	196.5	200	12	19.2	

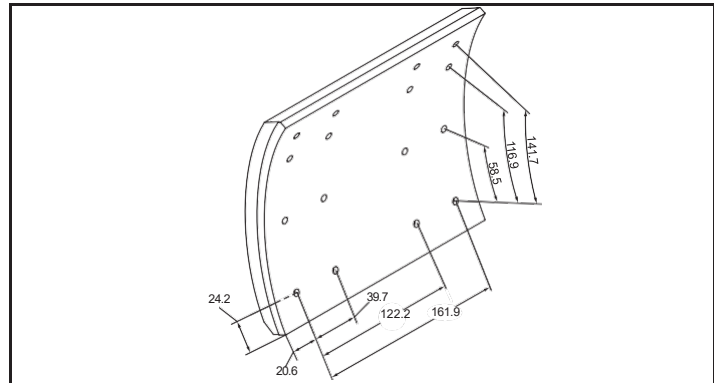


WVA	∅ mm	 mm	 mm	< mm	> mm	
19554	410	196.5	200	12	19.2	

SL55719 WVA (19557 + 19606)

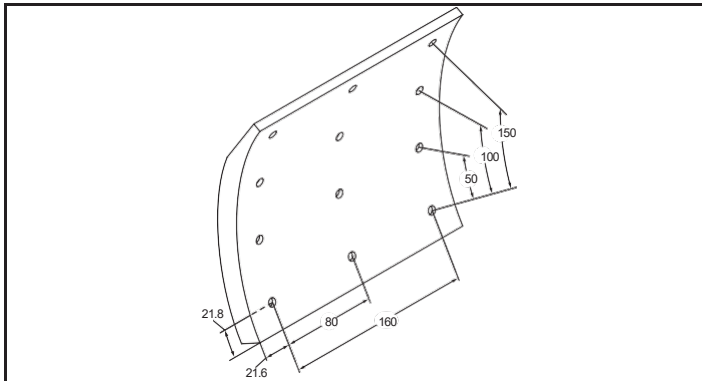


WVA	∅ mm	 mm	 mm	< mm	> mm	
19557	419	195.5	203	11.4	18.3	

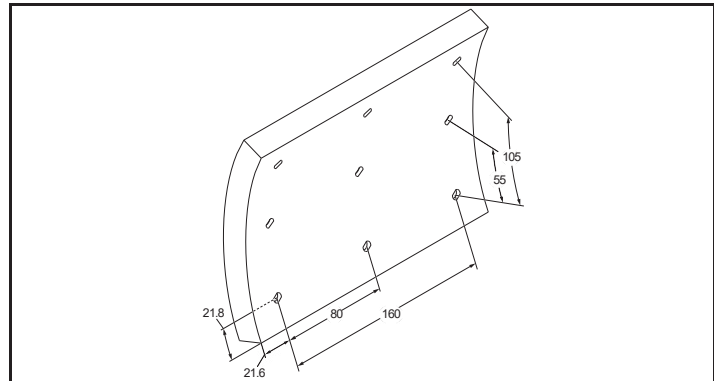


WVA	∅ mm	 mm	 mm	< mm	> mm	
19606	419	190.5	203	15.8	18.9	

SL56219 WVA (19562 + 19563)

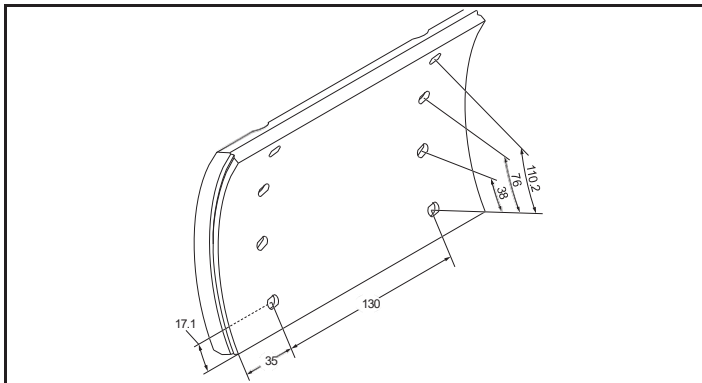


WVA	∅ mm	 mm	 mm	< mm	> mm	
19562	394	192	203	12.7	18.7	



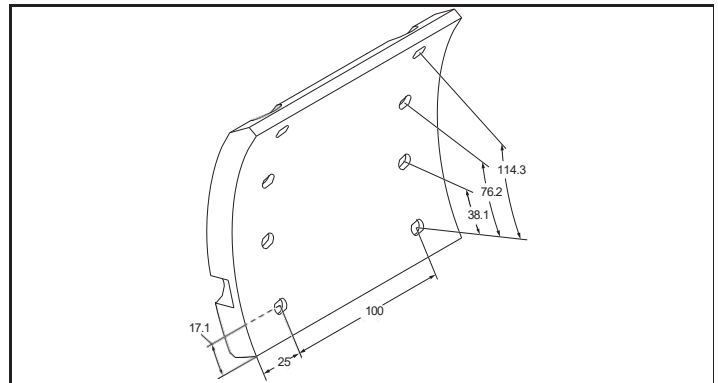
WVA	∅ mm	 mm	 mm	< mm	> mm	
19563	394	147	203	15.6	18.8	

SL56819 WVA (19568)



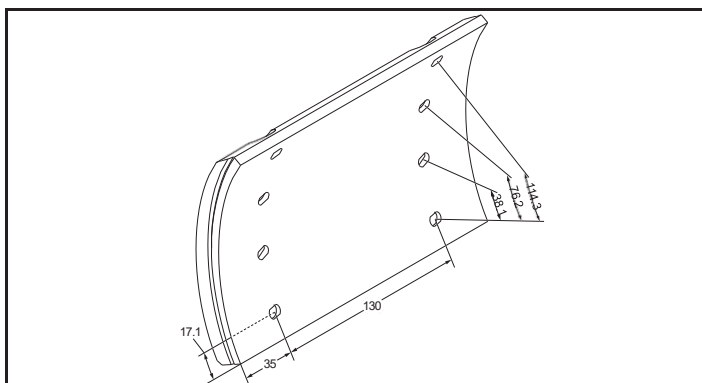
WVA	∅ mm	 mm	 mm	< mm	> mm	
19568	300	139.5	200	11.9	16.7	

SL57319 WVA (19573)



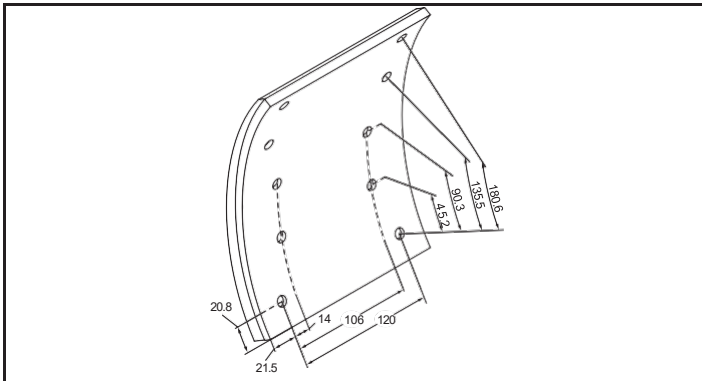
WVA	∅ mm	 mm	 mm	< mm	> mm	
19573	300	145.5	150	12.4	17.7	

SL57419 WVA (19574)

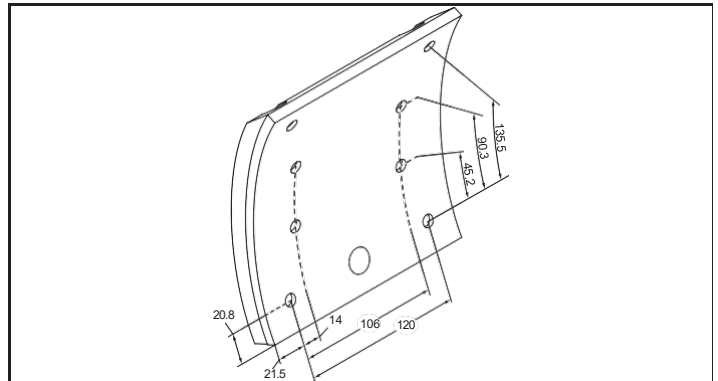


WVA	∅ mm	 mm	 mm	< mm	> mm	
19574	300	145.5	200	11.4	16.7	

SL57919 WVA (19579 + 19706)

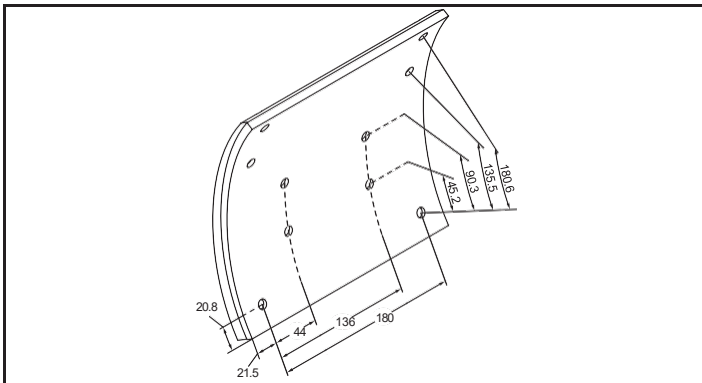


WVA	∅ mm	 mm	 mm	< mm	> mm	
19579	410	217	163	9	17.8	

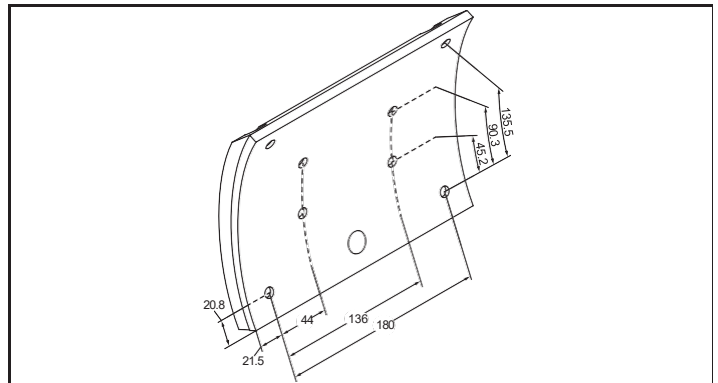


WVA	∅ mm	 mm	 mm	< mm	> mm	
19706	410	173.5	163	16.1	17.8	

SL58119 WVA (19581 + 19707)

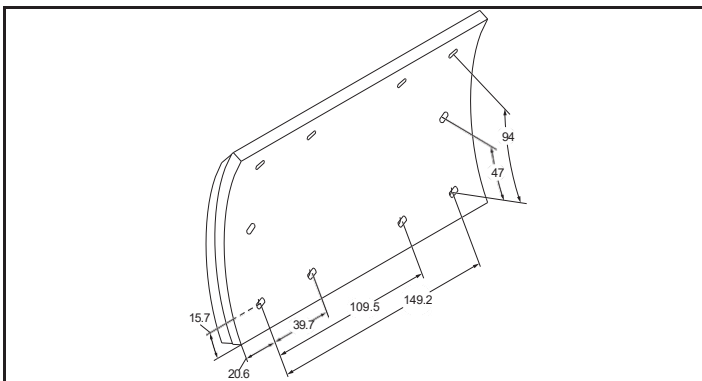


WVA	∅ mm	 mm	 mm	< mm	> mm	
19581	410	217	223	9	17.8	

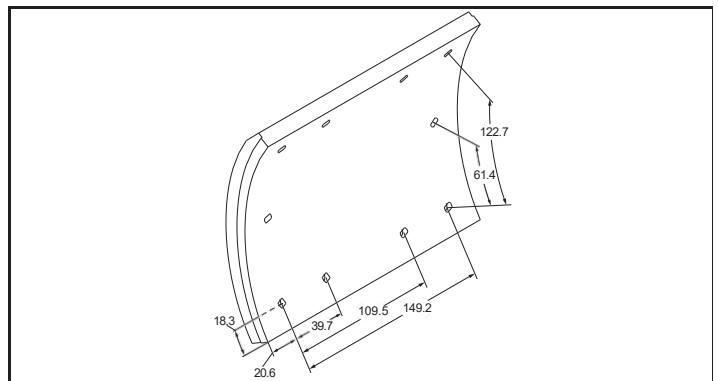


WVA	∅ mm	 mm	 mm	< mm	> mm	
19707	410	173.5	223	16.1	17.8	

SL60419 WVA (19604 + 19605)

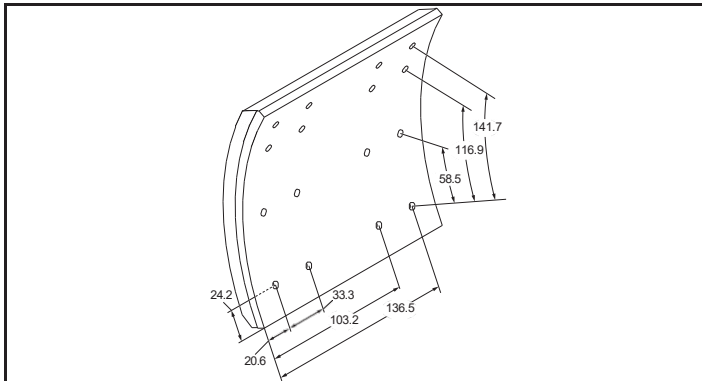


WVA	∅ mm	 mm	 mm	< mm	> mm	
19604	311	126.5	190.5	9.6	14.7	

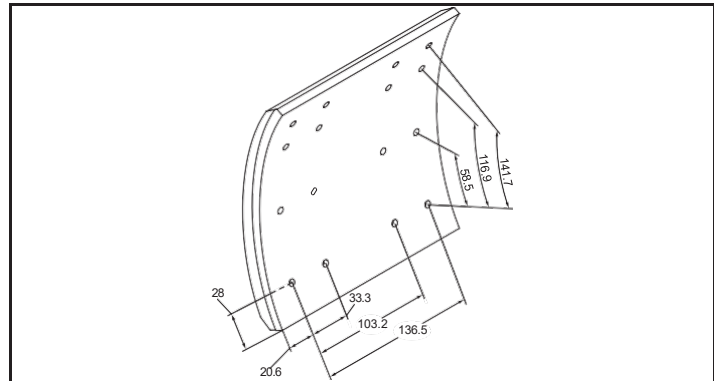


WVA	∅ mm	 mm	 mm	< mm	> mm	
19605	311	159	190.5	13.4	15.9	

SL61319 WVA (19613 + 19614)

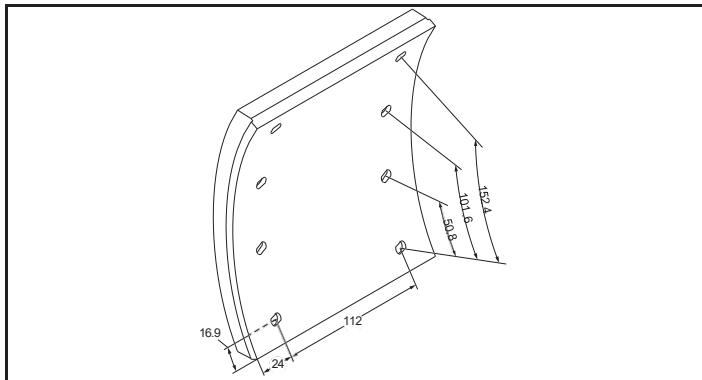


WVA	∅ mm	 mm	 mm	< mm	> mm	
19613	419	190.5	178	15.8	18.9	



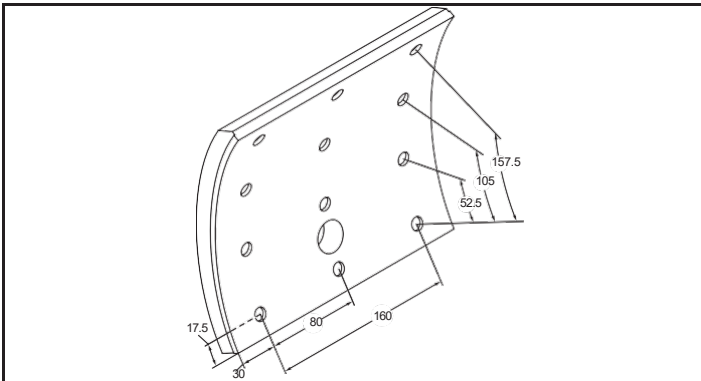
WVA	∅ mm	 mm	 mm	< mm	> mm	
19614	419	195.5	178	11.4	18.3	

SL64819 WVA (19648)

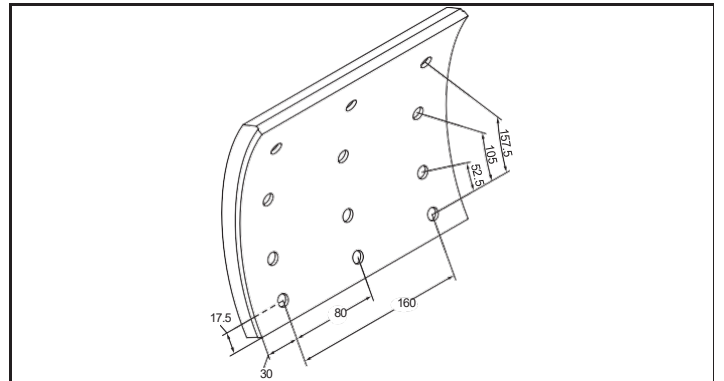


WVA	∅ mm	 mm	 mm	< mm	> mm	
19648	420	186	160	14.8	14.8	

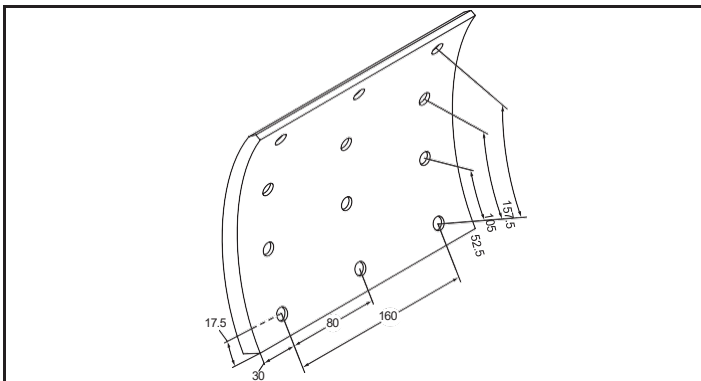
SL69919 WVA (19699 + 19847 + 19848)



WVA	∅ mm			< mm	> mm	
19699	410	196	220	16.4	17.3	

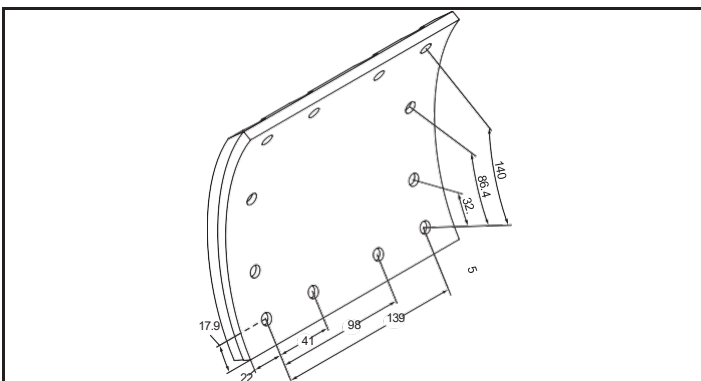


WVA	∅ mm			< mm	> mm	
19847	410	196	220	16.4	17.3	

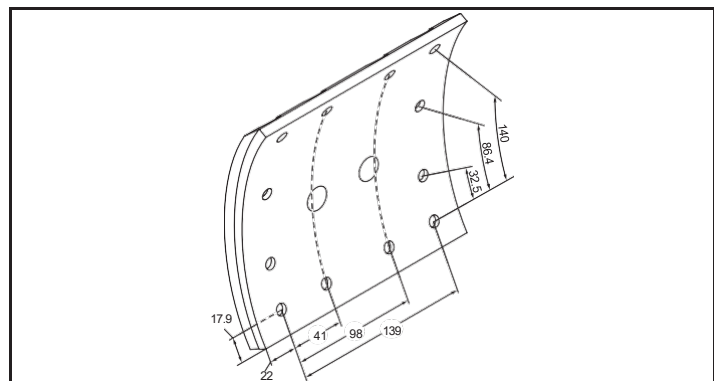


WVA	∅ mm			< mm	> mm	
19848	410	196	220	7.8	17.3	

SL70819 WVA (19708 + 19867)

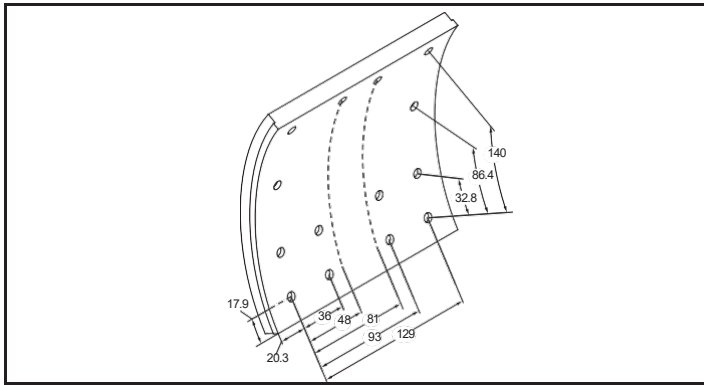


WVA	∅ mm			< mm	> mm	
19708	360	174.5	183	12.5	16	

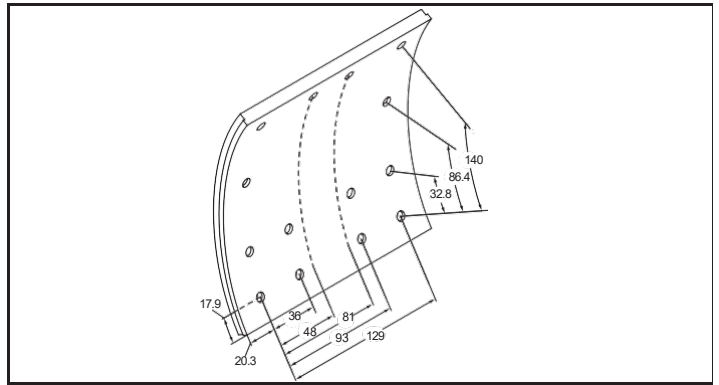


WVA	∅ mm			< mm	> mm	
19867	360	174.5	183	12.5	16	

SL75819 WVA (19758 + 19759)

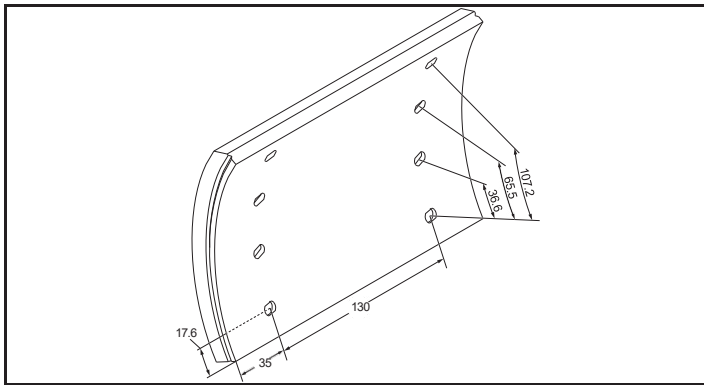


WVA	∅ mm	 mm	 mm	< mm	> mm	
19758	360	174.5	169.5	12.1	14.8	

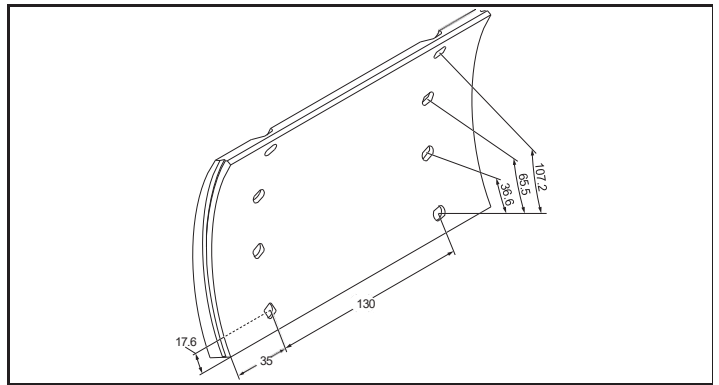


WVA	∅ mm	 mm	 mm	< mm	> mm	
19759	360	174.5	169.5	8.3	9.7	

SL76219 WVA (19762 + 19763)

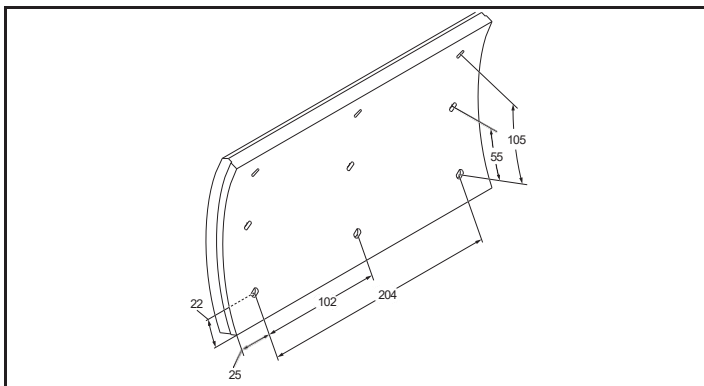


WVA	∅ mm	 mm	 mm	< mm	> mm	
19762	303	143.5	200	14.5	16.1	

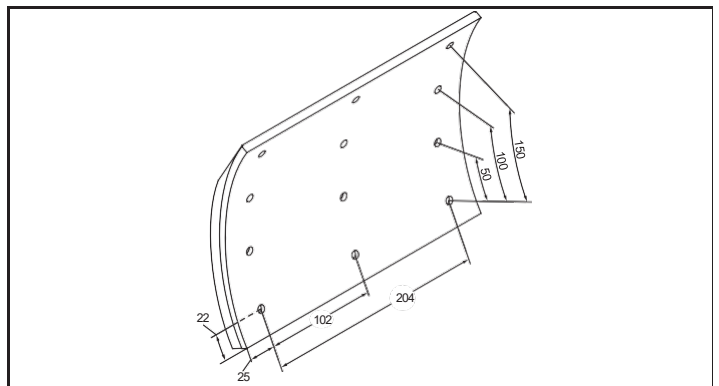


WVA	∅ mm	 mm	 mm	< mm	> mm	
19763	303	143.5	200	8.4	14.9	

SL79919 WVA (19799 + 19800)

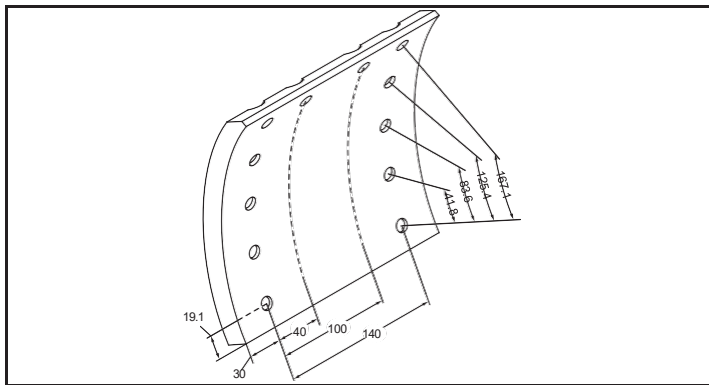


WVA	∅ mm	 mm	 mm	< mm	> mm	
19799	394	147	254	15.4	18.6	



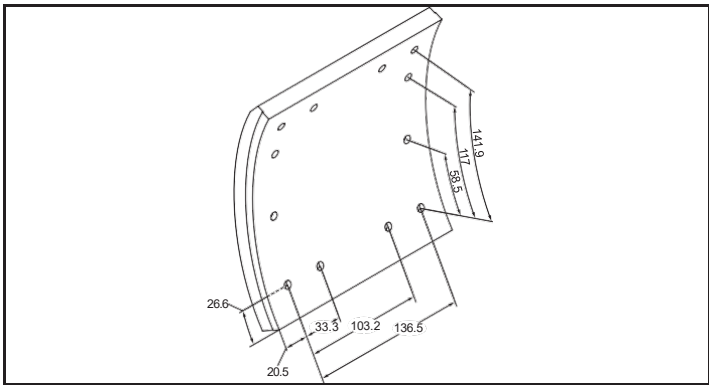
WVA	∅ mm	 mm	 mm	< mm	> mm	
19800	394	192	254	12.6	18.6	

SL82319 WVA (19823)

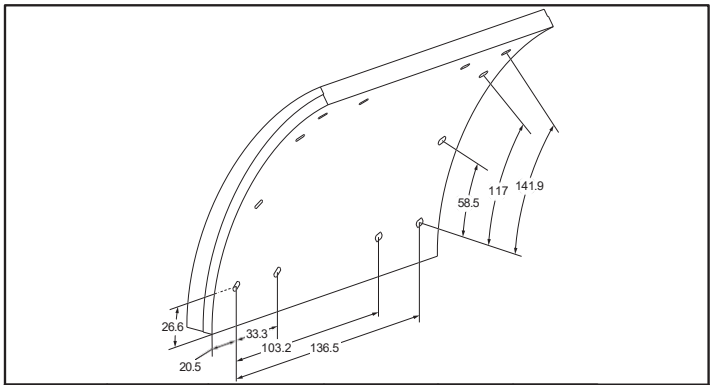


WVA	∅ mm	 mm	 mm	< mm	> mm	
19823	410	204	200	11.7	17.2	

SL08419 WVA (19840 + 19841)

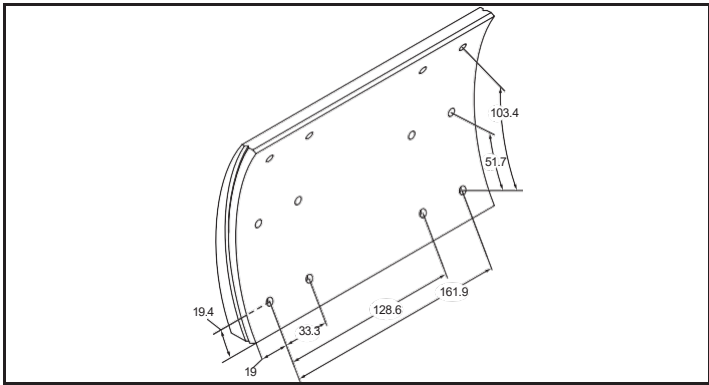


WVA	∅ mm	 mm	 mm	< mm	> mm	
19840	419	189	177.5	15.3	18.7	

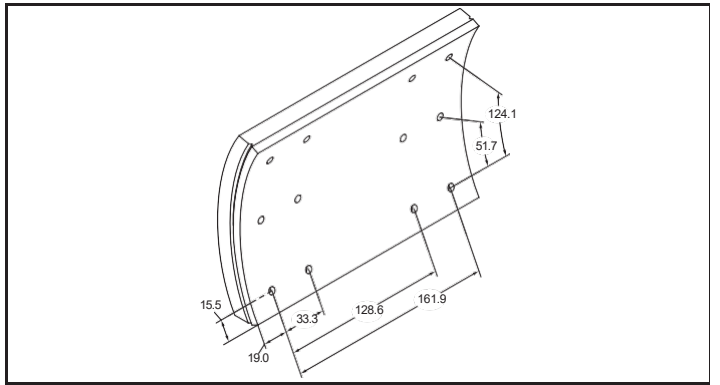


WVA	∅ mm	 mm	 mm	< mm	> mm	
19841	419	194.5	177.5	11.1	18	

SL60819 WVA (19608 + 19609)

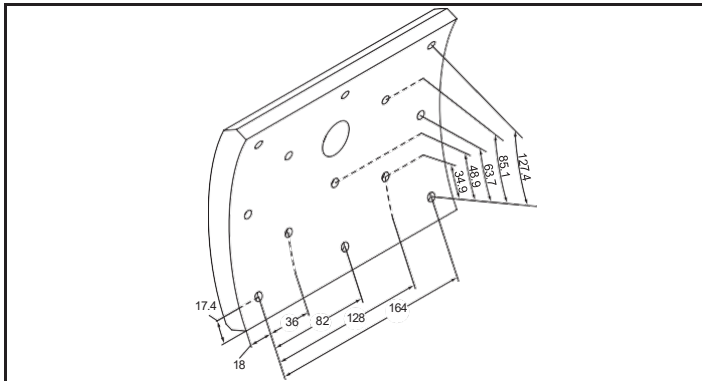


WVA	∅ mm	 mm	 mm	< mm	> mm	
19608	311	143.5	200	11	18.3	

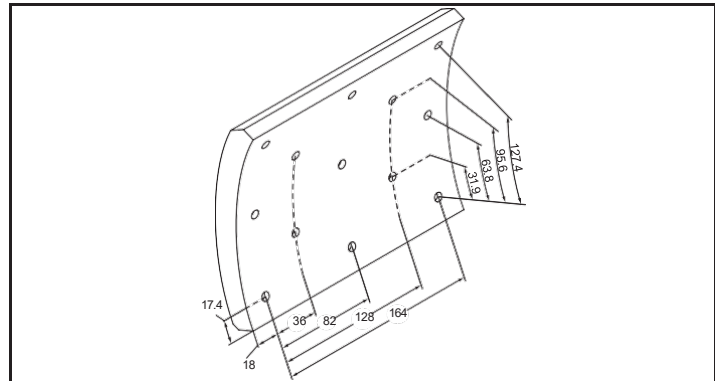


WVA	∅ mm	 mm	 mm	< mm	> mm	
19609	311	139.5	200	17.4	19.2	

SL87919 WVA (19879 + 19881)

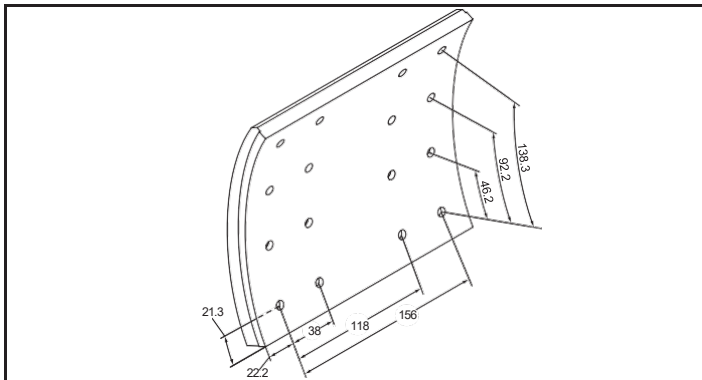


WVA	∅ mm	 mm	 mm	< mm	> mm	
19879	410	162	200	16.8	17.1	

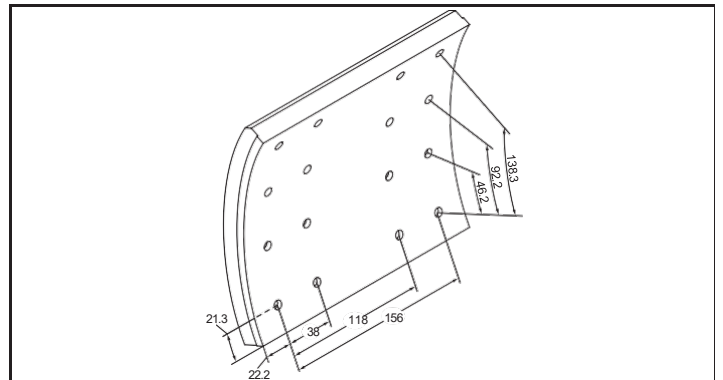


WVA	∅ mm	 mm	 mm	< mm	> mm	
19881	410	162	200	10	16.3	

SL89019 WVA (19890 + 19891)

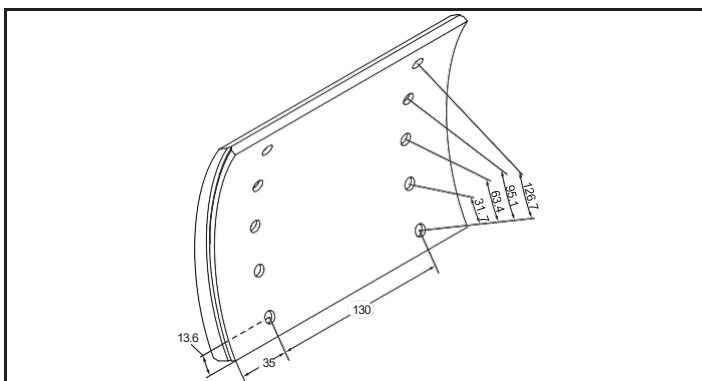


WVA	∅ mm	 mm	 mm	< mm	> mm	
19890	420	180	200.5	12.5	18.3	

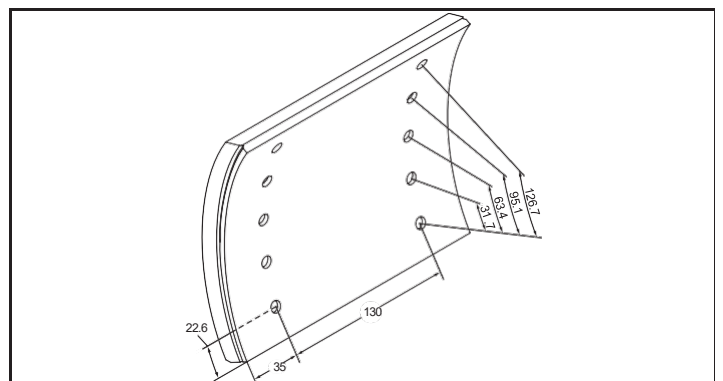


WVA	∅ mm	 mm	 mm	< mm	> mm	
19891	420	176.5	200.5	16.6	18.9	

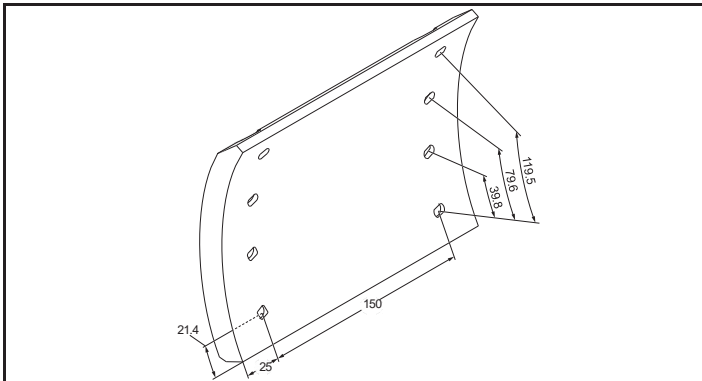
SL89219 WVA (19892 + 19893)



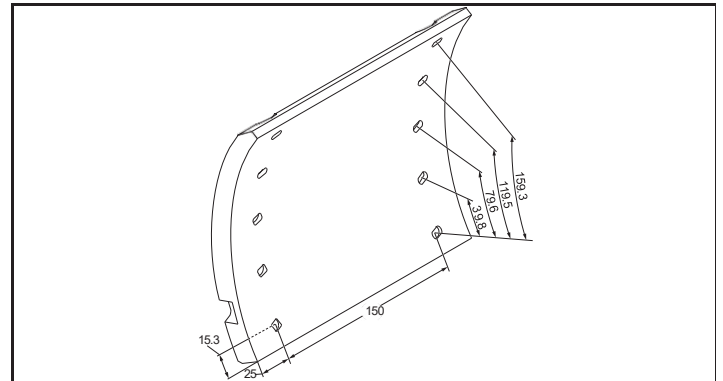
WVA	∅ mm	 mm	 mm	< mm	> mm	
19892	355	160	200.5	10	17.3	



WVA	∅ mm	 mm	 mm	< mm	> mm	
19893	355	169	200.5	14.7	18.1	

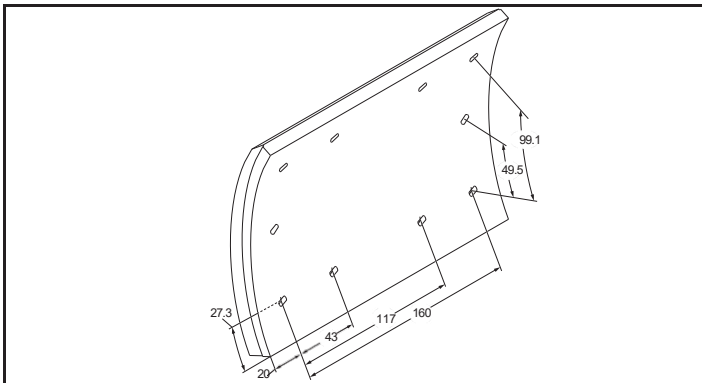


WVA	∅ mm			< mm	> mm	
19902	360	159.5	200	12.1	16.8	

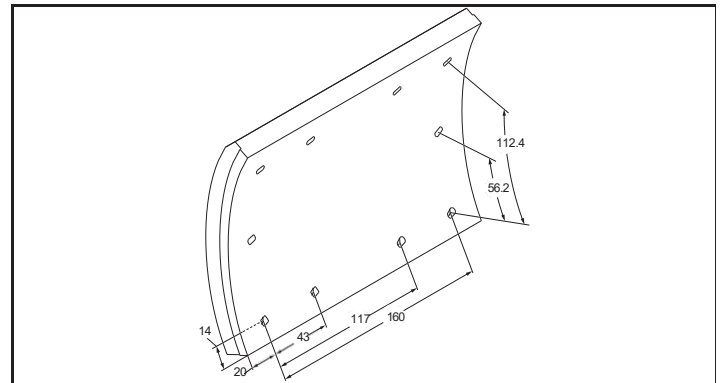


WVA	∅ mm			< mm	> mm	
19903	360	190	200	9.9	16.7	

SL90819 WVA (19908 + 19909)

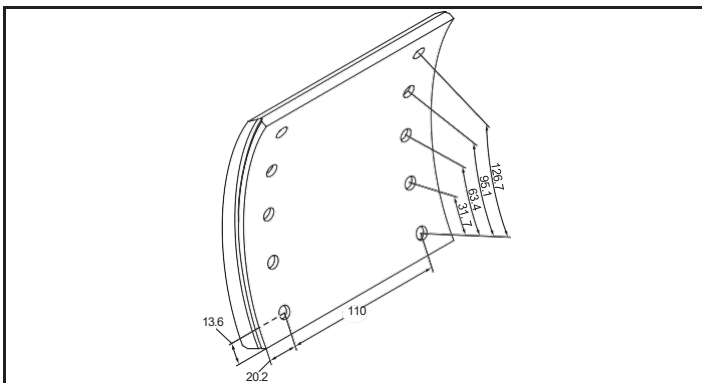


WVA	∅ mm			< mm	> mm	
19908	350	151.5	200	11.9	17.9	

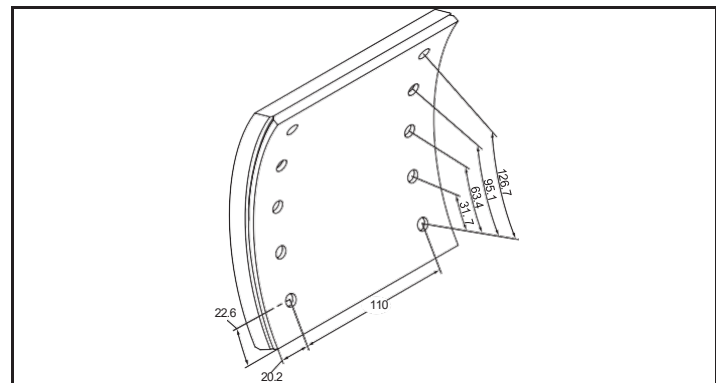


WVA	∅ mm			< mm	> mm	
19909	350	151.5	200	15.6	18.6	

SL91219 WVA (19912 + 19913)

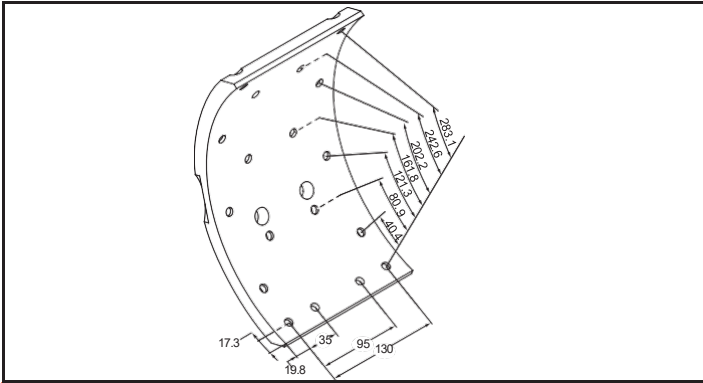


WVA	∅ mm			< mm	> mm	
19912	355	160	150.5	10.4	17.7	



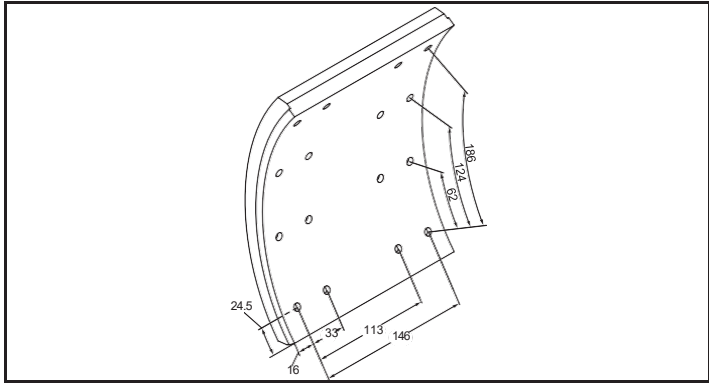
WVA	∅ mm			< mm	> mm	
19913	355	169	150.5	15.2	18.6	

SL22519 WVA (19225)



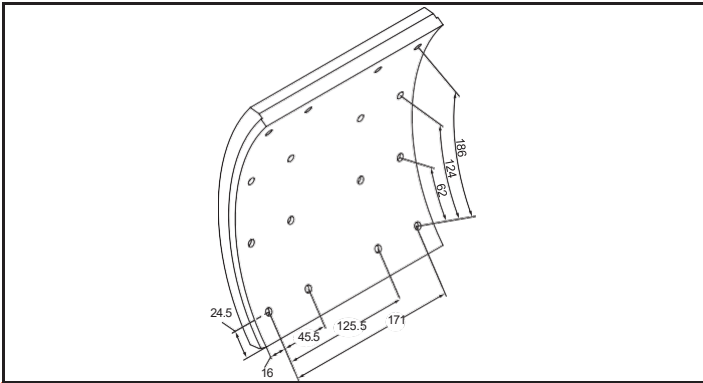
WVA	∅ mm	 mm	 mm	< mm	> mm	
19225	360	317.5	169.5	14	14	

SL93119 WVA (19931)



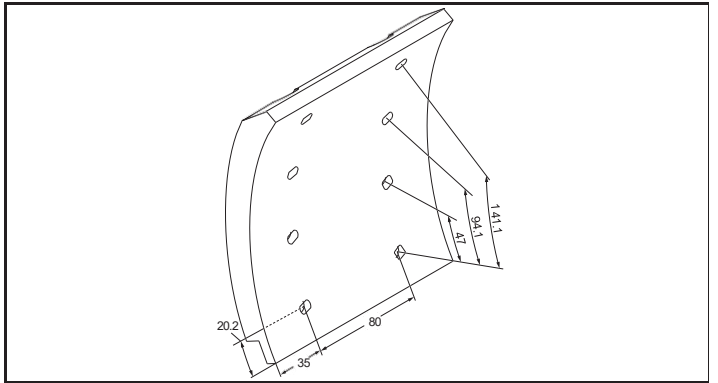
WVA	∅ mm	 mm	 mm	< mm	> mm	
19931	413	235	178	18.9	18.9	

SL93219 WVA (19932)



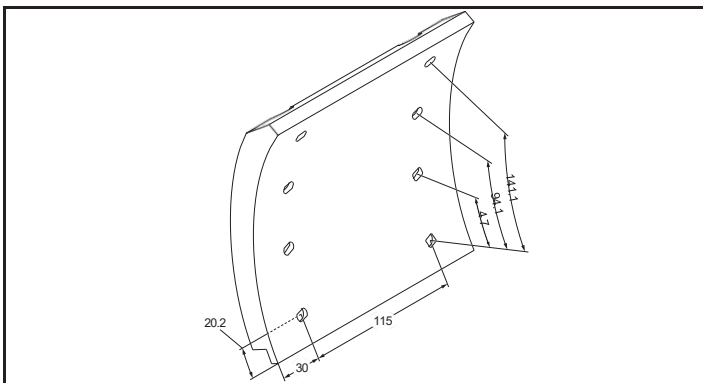
WVA	∅ mm	 mm	 mm	< mm	> mm	
19932	413	235	203	18.9	18.9	

SL93419 WVA (19934)



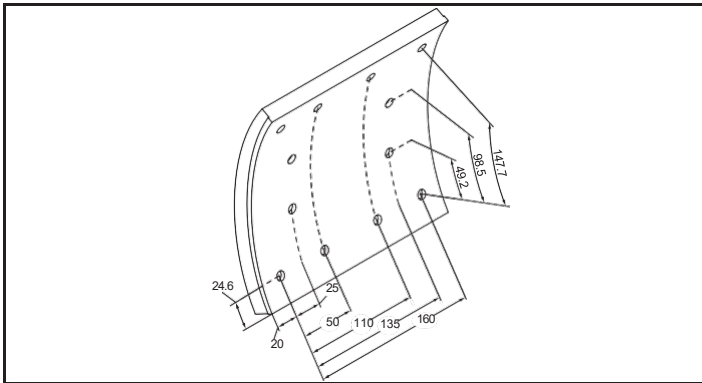
WVA	∅ mm	 mm	 mm	< mm	> mm	
19934	414	184	150	18.3	18.3	

SL93519 WVA (19935)

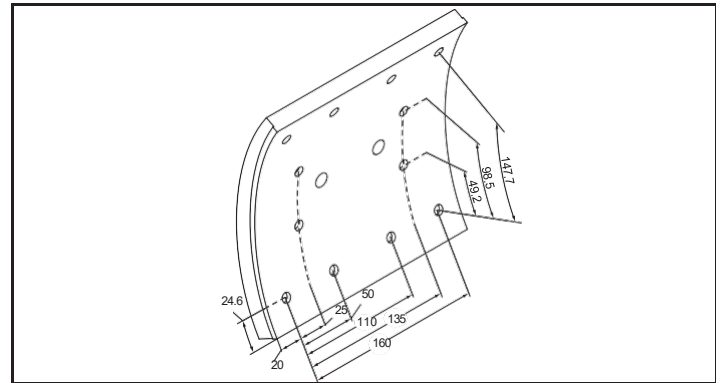


WVA	∅ mm	 mm	 mm	< mm	> mm	
19935	414	184	175	18.3	18.3	

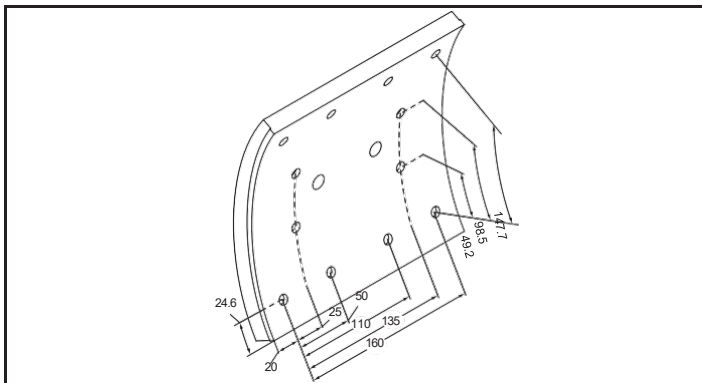
SL55319 WVA (19553 + 19716 + 19717)



WVA	∅ mm	 mm	 mm	 mm	 mm	
19553	410	196.5	200	12	19.2	

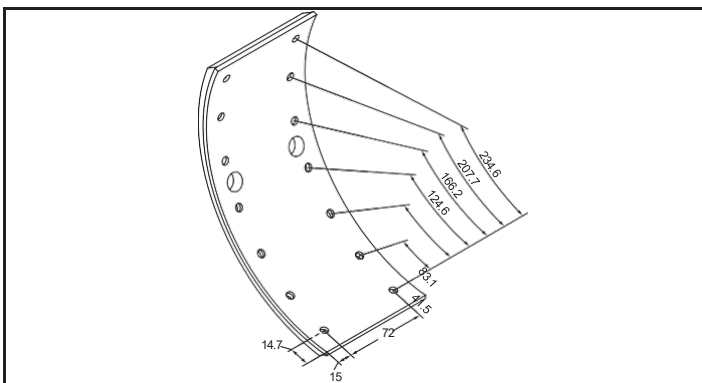


WVA	∅ mm	 mm	 mm	 mm	 mm	
19716	410	196.5	200	14.2	21	

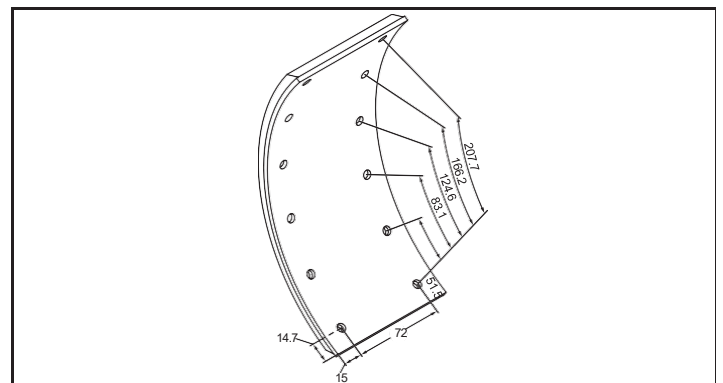


WVA	∅ mm	 mm	 mm	 mm	 mm	
19717	410	196.5	200	12.3	20.7	

SL35017 WVA (17350 + 17973)

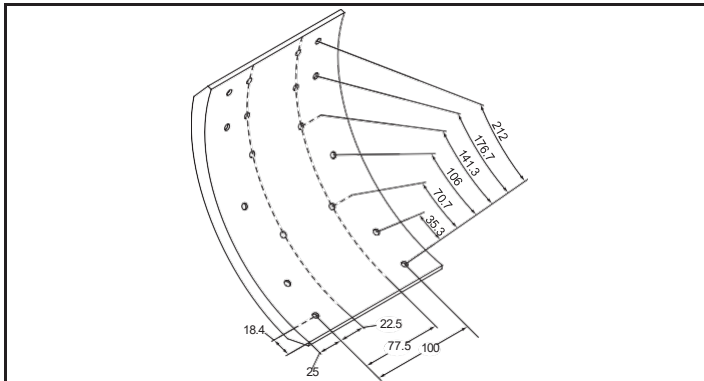


WVA	∅ mm	 mm	 mm	 mm	 mm	
17350	300	264	102.5	9.2	9.2	



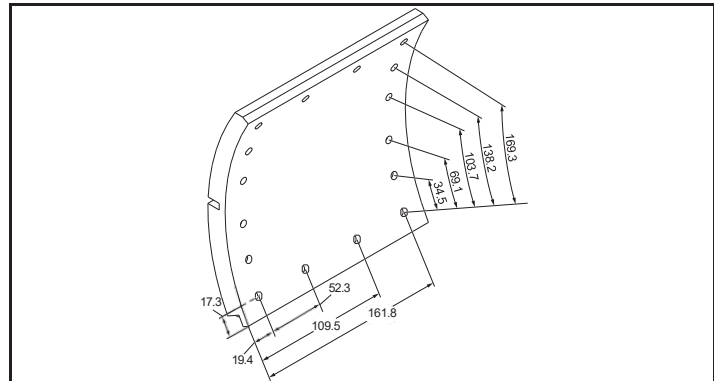
WVA	∅ mm	 mm	 mm	 mm	 mm	
17973	300	237	102.5	9.2	9.2	

SL97019 WVA (19709)



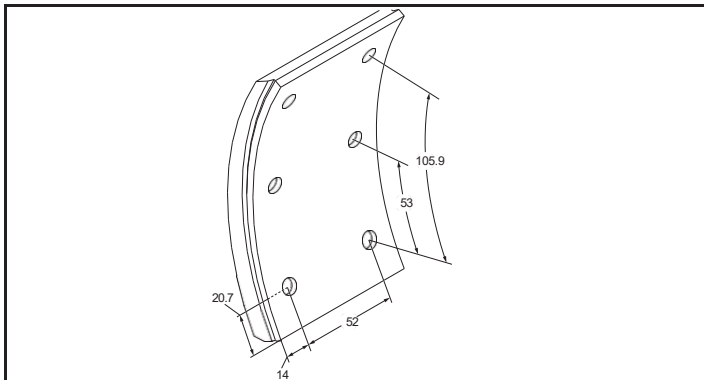
WVA	∅ mm	 mm	 mm	< mm	> mm	
19709	325	249	150	13.9	13.9	

SL23419 WVA (59234)



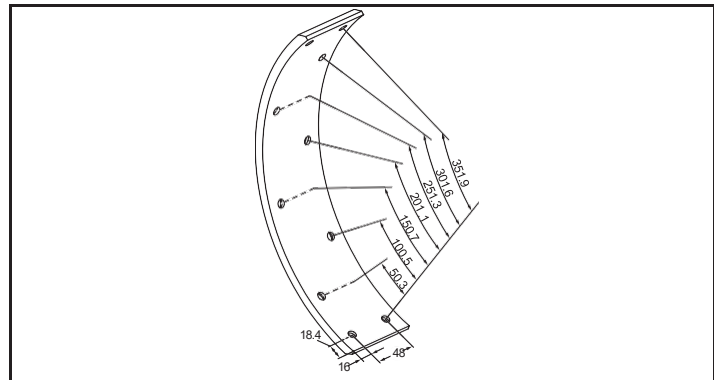
WVA	∅ mm	 mm	 mm	< mm	> mm	
59234	410	204	200.5	13	18.4	

SL07715 WVA (15077)



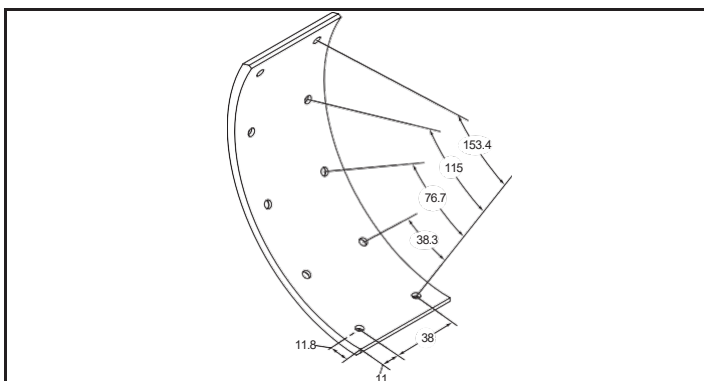
WVA	∅ mm	 mm	 mm	< mm	> mm	
15077	300	148	80	10.7	15.9	

SL24715 WVA (15247)



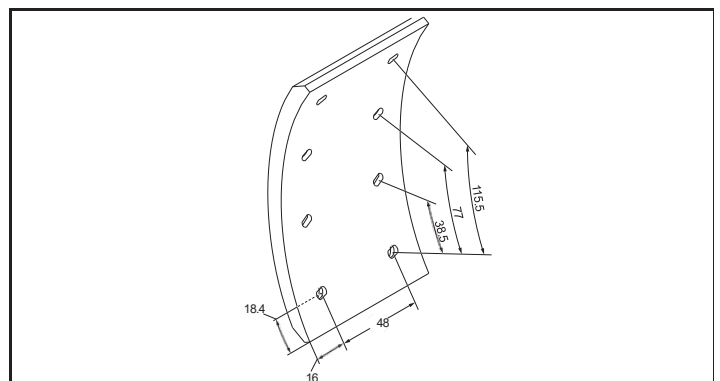
WVA	∅ mm	 mm	 mm	< mm	> mm	
15247	400	388.5	80	7.9	7.9	

SL62515 WVA (15256)



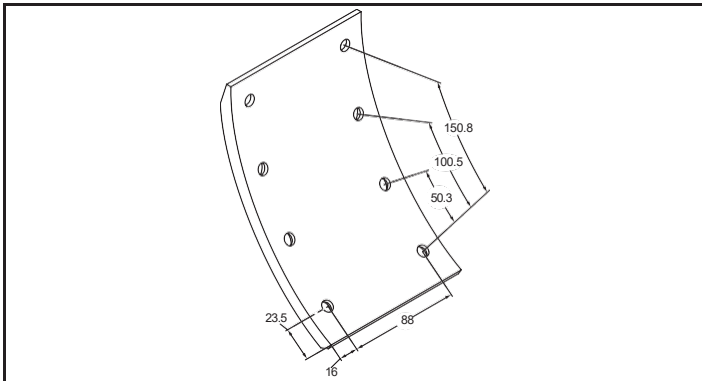
WVA	∅ mm	 mm	 mm	< mm	> mm	
15256	180	177	60	4.9	4.9	

SL68215 WVA (15826)



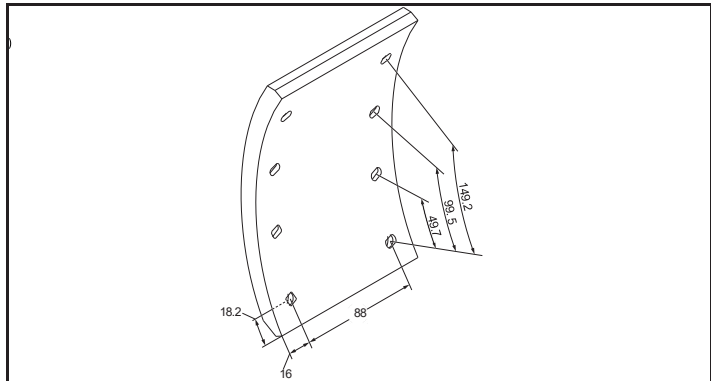
WVA	∅ mm	 mm	 mm	< mm	> mm	
15826	310	152	80	7.9	7.9	

SL60117 WVA (17016)



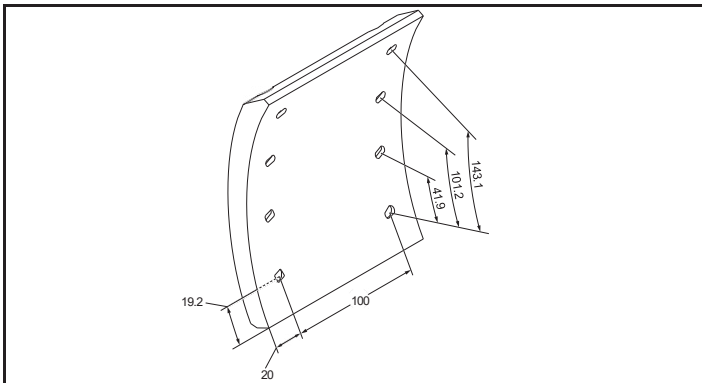
WVA	∅ mm	mm	mm	< mm	> mm	
17016	400	192.5	120	7.9	7.9	

SL11517 WVA (17115)



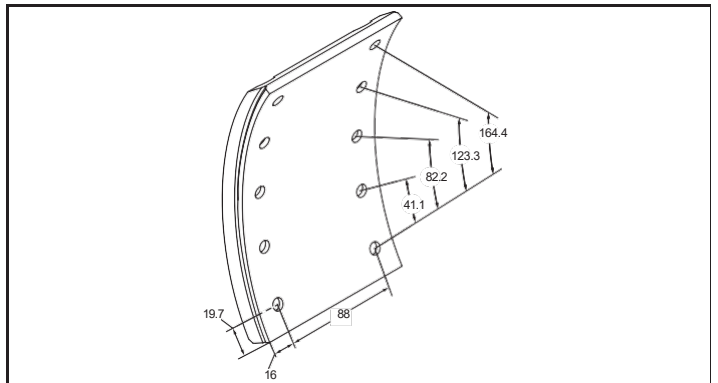
WVA	∅ mm	mm	mm	< mm	> mm	
17115	400	189	120	9.9	9.9	

SL62717 WVA (17276)



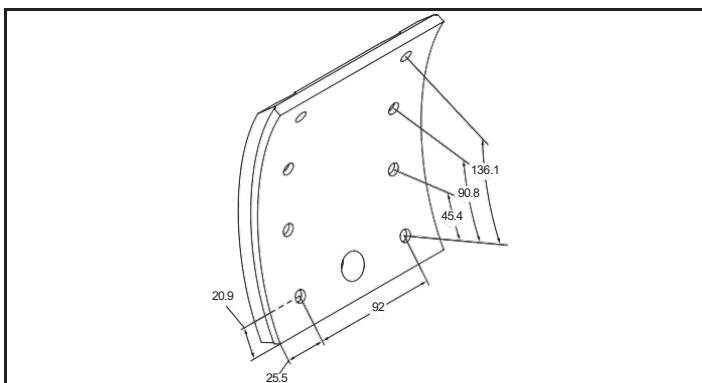
WVA	∅ mm	mm	mm	< mm	> mm	
17276	430	181.5	140	14.9	14.9	

SL37717 WVA (17377)



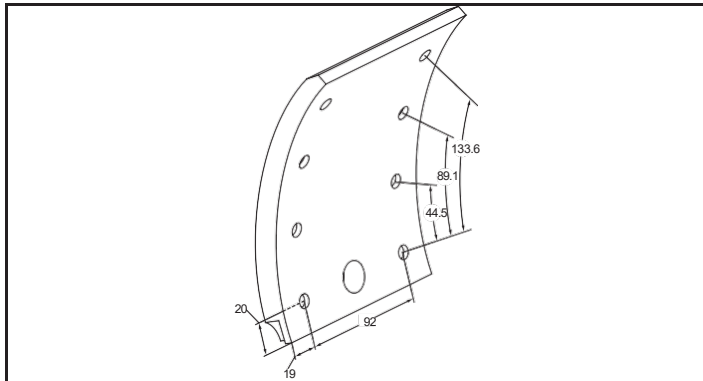
WVA	∅ mm	mm	mm	< mm	> mm	
17377	420	203.5	120	12.3	17.9	

SL23817 WVA (17238)

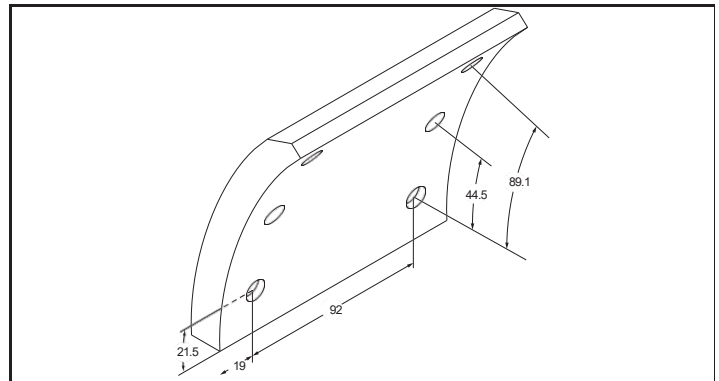


WVA	∅ mm	mm	mm	< mm	> mm	
17238	410	178	143	12.7	16.8	

SL29017 WVA (17290 + 17950)

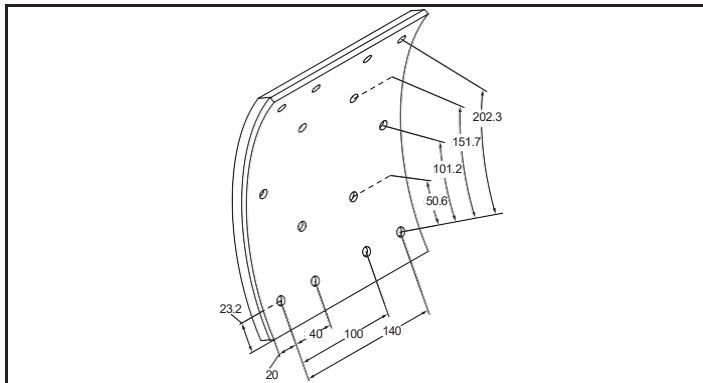


WVA	∅ mm	 mm	 mm	< mm	> mm	
17290	364	173.5	130	8.8	13.1	



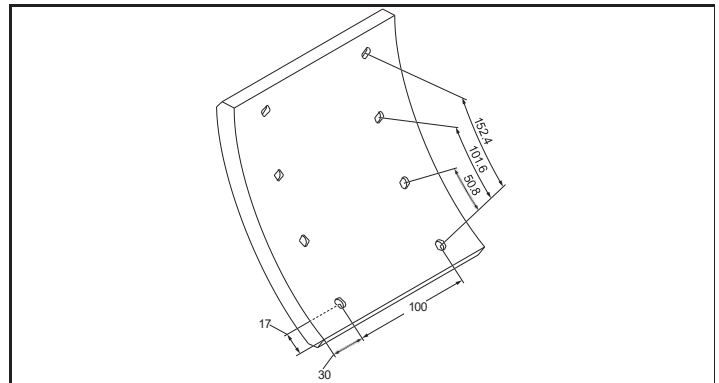
WVA	∅ mm	mm	 mm	< mm	> mm	
17950	364	130.5	130	11.8	13.4	

SL04119 WVA (19041)



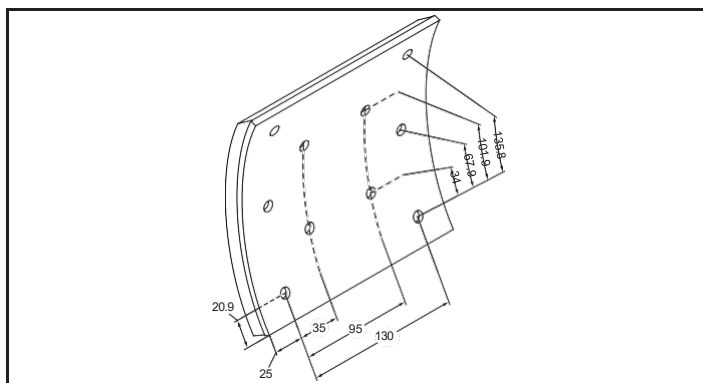
WVA	∅ mm	 mm	 mm	< mm	> mm	
19041	500	253	180	13.1	17.6	

SL60519 WVA (19065)



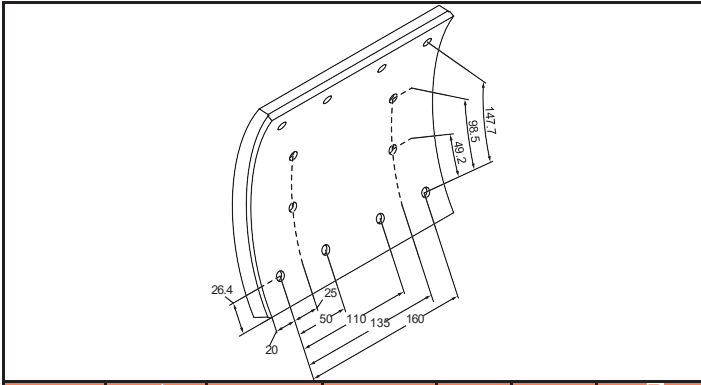
WVA	∅ mm	 mm	 mm	< mm	> mm	
19065	420	186	160	14.8	14.8	

SL31119 WVA (19113)

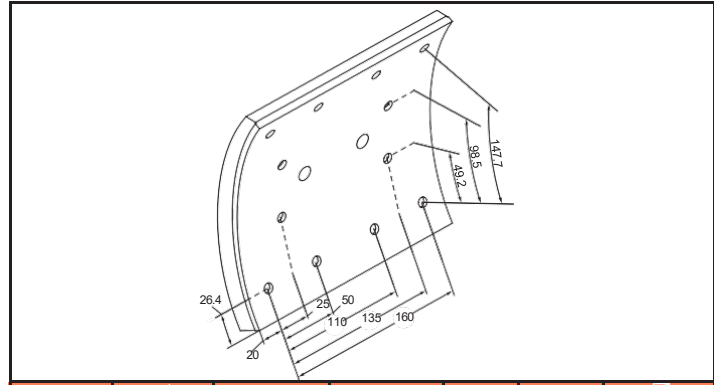


WVA	∅ mm	 mm	 mm	< mm	> mm	
19113	410	177.5	180	14.7	18.8	

SL11619 WVA (19116 + 19119)

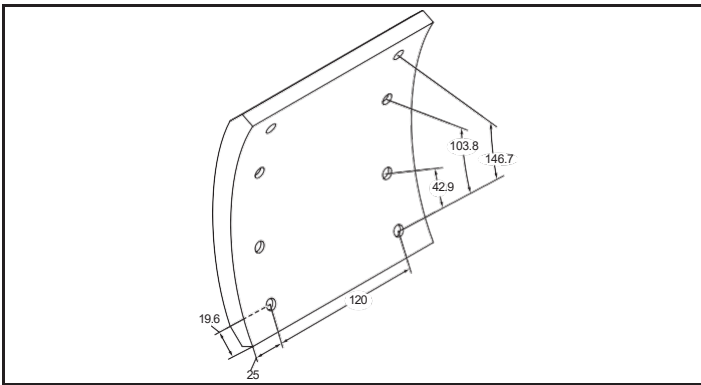


WVA	∅ mm	 mm	 mm	< mm	> mm	
19116	410	195.5	200	13.8	21.3	



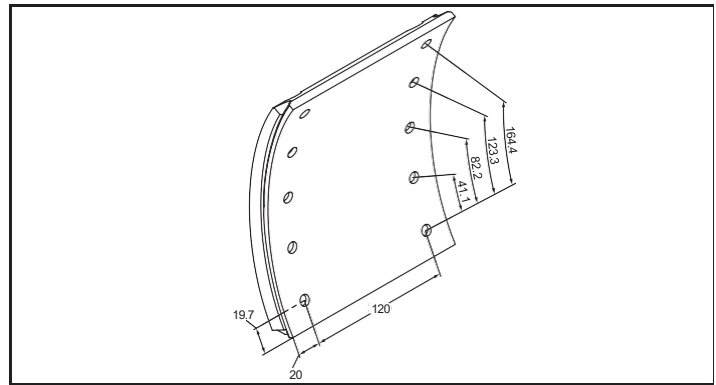
WVA	∅ mm	 mm	 mm	< mm	> mm	
19119	410	195.5	200	13.8	21.3	

SL16019 WVA (19160)



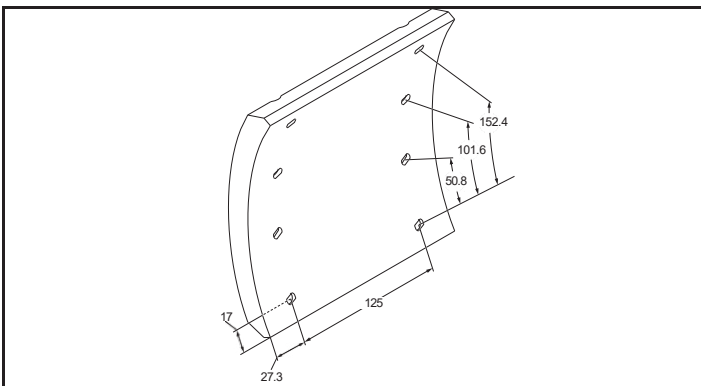
WVA	∅ mm	 mm	 mm	< mm	> mm	
19160	440	186	170	14.9	14.9	

SL20019 WVA (19200)



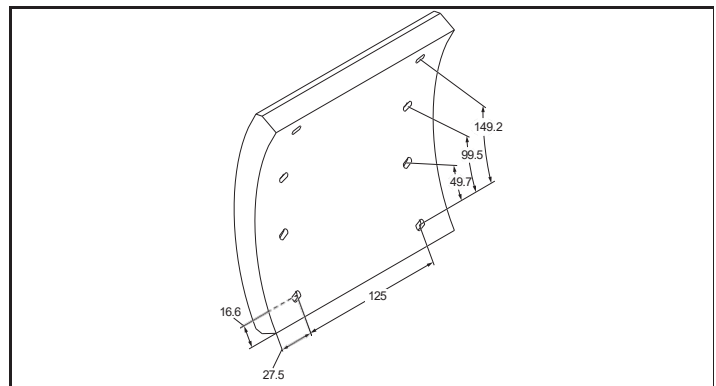
WVA	∅ mm	 mm	 mm	< mm	> mm	
19200	420	203.5	160	12	17.6	

SL22319 WVA (19232)



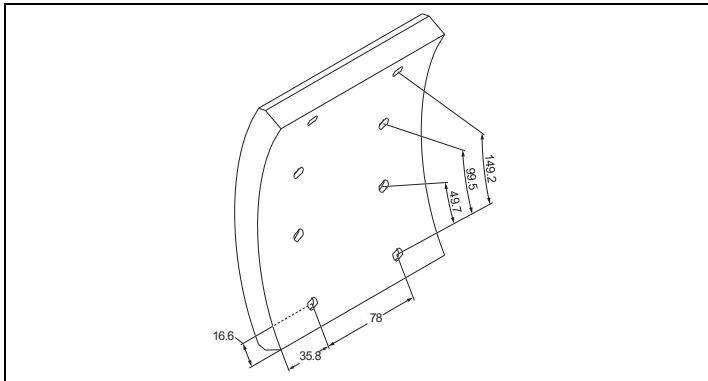
WVA	∅ mm	 mm	 mm	< mm	> mm	
19232	420	186	180	15.8	15.8	

SL13619 WVA (19361)



WVA	∅ mm	 mm	 mm	< mm	> mm	
19361	420	182.5	180	17.8	17.8	

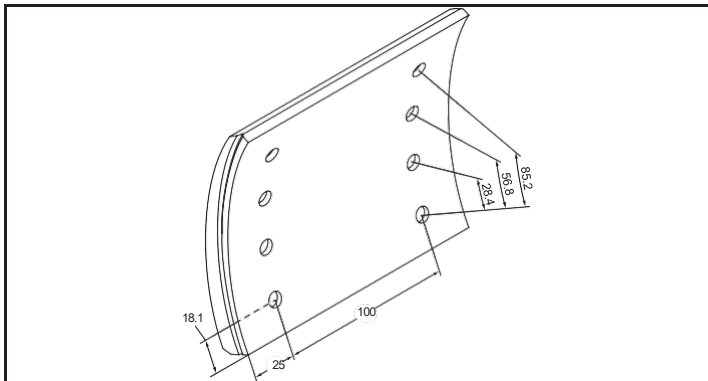
SL10419 WVA (19410)



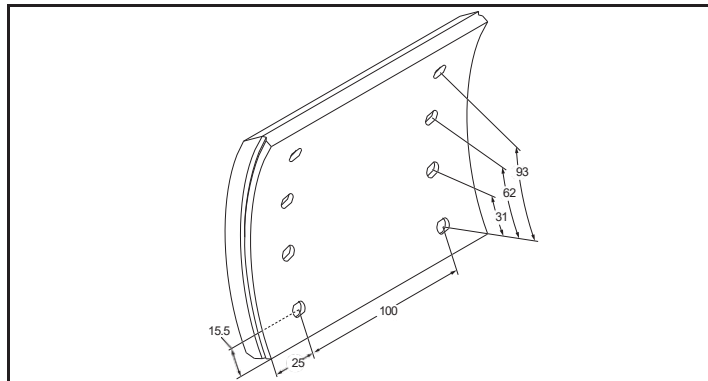
WVA	∅ mm	mm	mm	< mm	> mm	
19410	420	182.5	150	17.8	17.8	

SL51719 WVA (19517 + 19518)

136.1
90.8
45.4

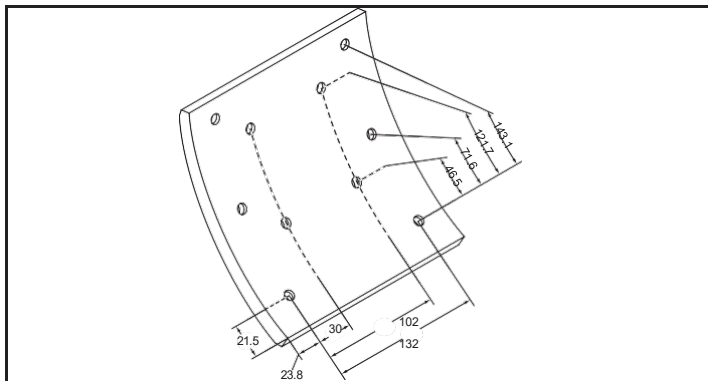


WVA	∅ mm	mm	mm	< mm	> mm	
19517	300	129	150	9.3	15	



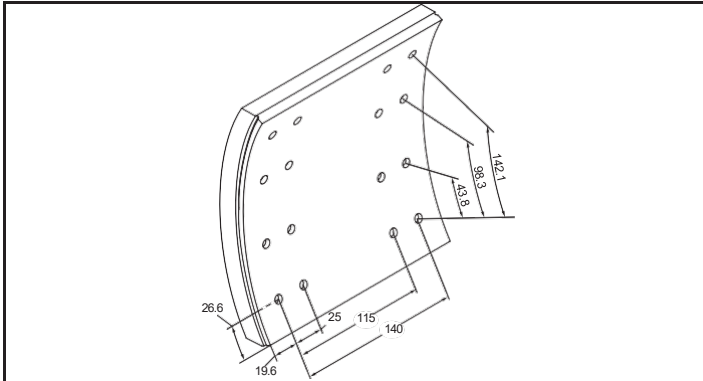
WVA	∅ mm	mm	mm	< mm	> mm	
19518	300	131.5	150	13.4	15.9	

SL85319 WVA (19538)

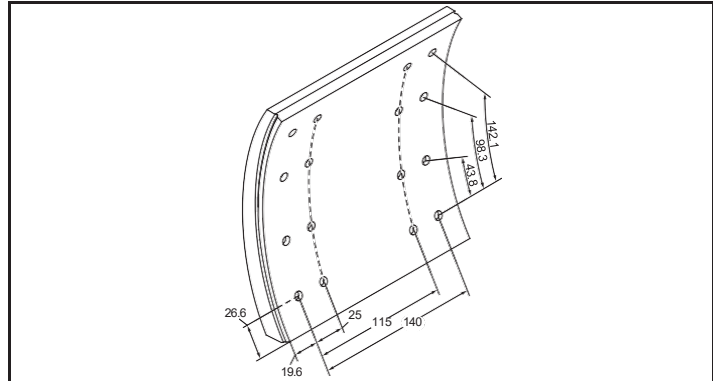


WVA	∅ mm	mm	mm	< mm	> mm	
19538	420	186	180	11.5	15.5	

SL61519 WVA (19615 + 19616)

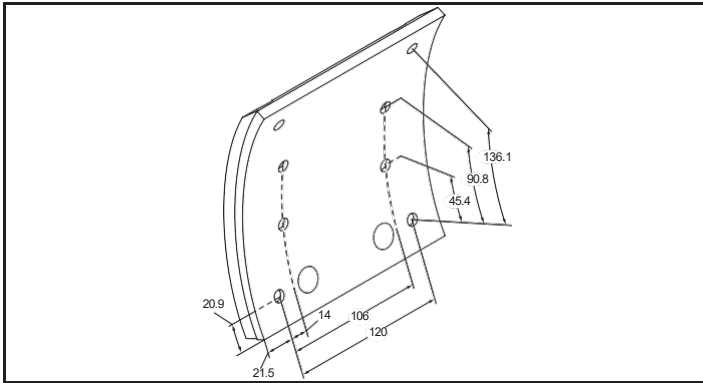


WVA	∅ mm	 mm	 mm	< mm	> mm	
19615	420	195	180	17.6	21	



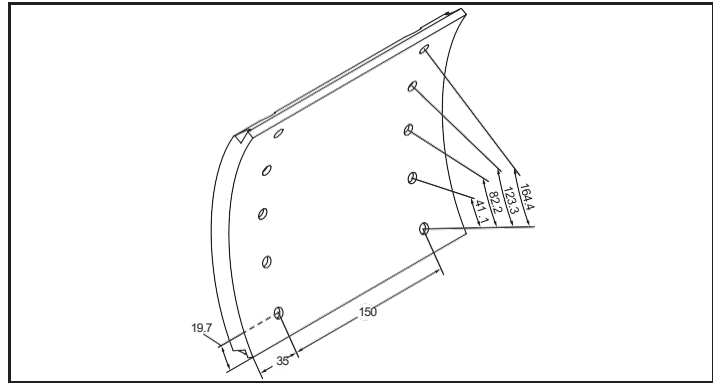
WVA	∅ mm	 mm	 mm	< mm	> mm	
19616	420	195	180	12.6	20.3	

SL37119 WVA (19713)



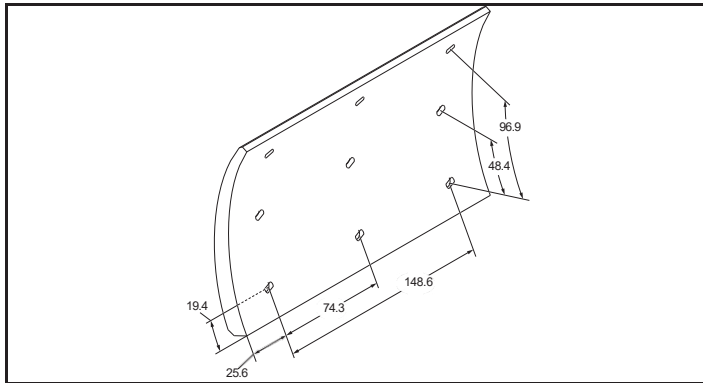
WVA	∅ mm	 mm	 mm	< mm	> mm	
19713	410	178	163	12.7	16.8	

SL58219 WVA (19825)

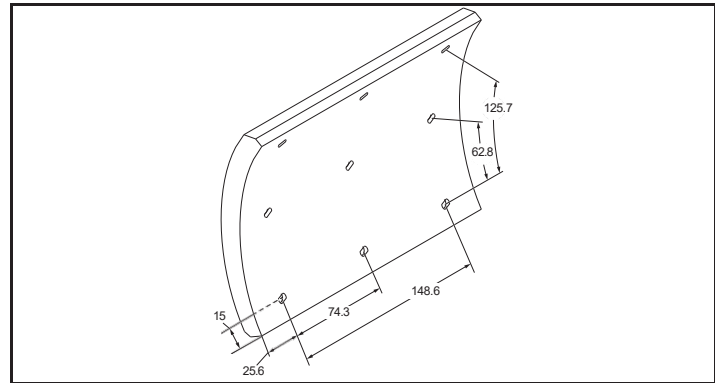


WVA	∅ mm	 mm	 mm	< mm	> mm	
19825	420	203.5	220	11.3	16.9	

SL85819 WVA (19858 + 19859)



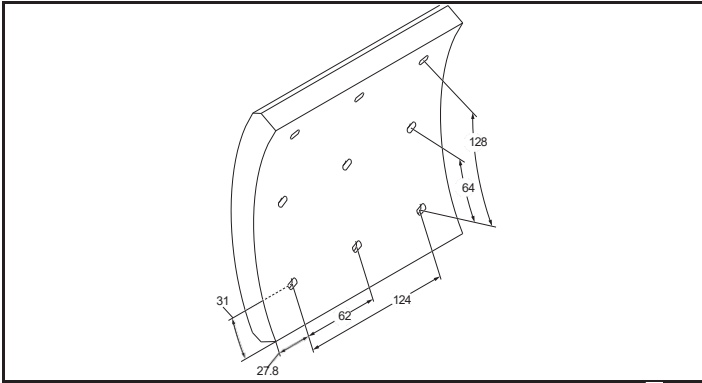
WVA	∅ mm	 mm	 mm	< mm	> mm	
19858	316	135	200	6.9	14.4	



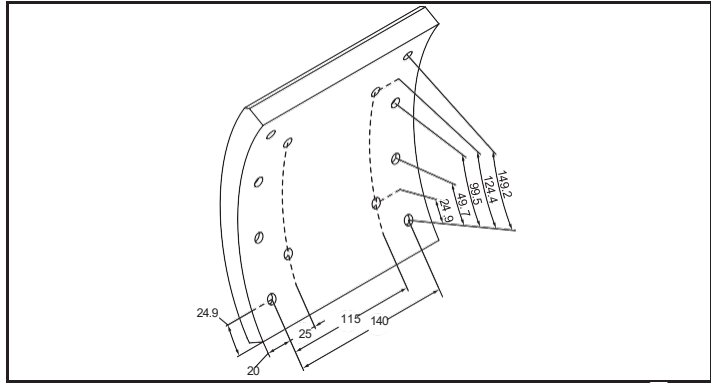
WVA	∅ mm	 mm	 mm	< mm	> mm	
19859	316	156	200	15.4	16.3	

SL19719 WVA (19971)



SL29719 WVA (19972)










WVA	∅ mm	mm	mm	< mm	> mm	
19971	420	183.5	180	17.8	17.8	



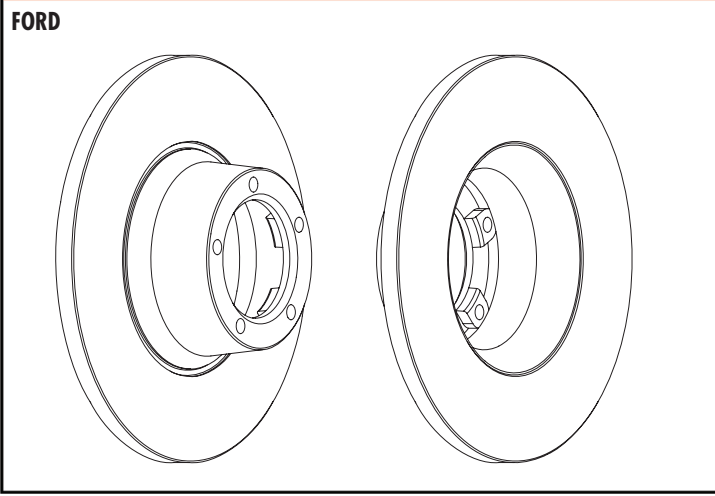
WVA	∅ mm	mm	mm	< mm	> mm	
19972	420	182.5	180	17.8	17.8	

						kg	V S	OE CROSS	
SC1211	270	14	71	79	5	5.5	S	5022674	FORD Transit Mk3 Minibus (VE6)
SC7211	267	14	111	58	6	10.8	S	1904529	IVECO Daily III Box Body / Estate
SC5311	280	16	79	88	5x18 5x12.5	7.0	S	6014200272	MERCEDES L Series 200/300 1977
SC1711	252	24	54	76	6	5.8	V	7700 561 367	RENAULT Trafic I Minibus (T5, T6, T7) (TX)
SC2512	278	13	119	45	5	8.8	S	251407617E	VW Transporter / Caravelle T3 Minibus
SC4512	278	24	70	95	6	7.0	V	5000388057	RENAULT Master I Van
SC2413	315	26	119	160	6x18.05 2xM10	13.7	V	190 4532	IVECO Zeta 65.12 Turbo 79.12 Turbo 79.14(III) BUS 55.14 BUS 70.14
SC8713	254	14	32	79	5	5.0	S	5022676	FORD Transit Mk2 Van Mk3 Minibus (VE6)
SC7715	239	16	79	102	5	6.1	S	6314200372	MERCEDES BENZ MB 100 Van (W631)
SC9016	260	16	64	68	5	5.6	S	701615301	VW Transporter (T4)
SC0116	280	24	65	68	5	6.9	V	701615301D	VW Transporter (T4)
SC2116	267	14	154	58	6	12.4	S	718 0256	IVECO Daily IV Box Body / Estate
SC4216	254	24.5	43	79	5	5.7	V	1514234	FORD Transit all models 14" 11/94
SC5216	270	24.5	43	79	5	6.5	V	1514235	FORD Transit all models 15" 11/94
SC8017	263	24	53	96	5	6.3	V	40206F3902	NISSAN Trade/Ebro (5 holes) 85
SC4517	324	30	91	118	6xM12	11.0	V	6704210012	MERCEDES L Series 809D/811D/814D MCW/OPTARE StarRider 1986
SC4518	280	22	79	88	5x18 5x12.5	8.7	S	601 420 0172	MERCEDES L Series 409/507/510 1988
SC7518	282	18	65	68	5	7.3	S	701615301B	VW Transporter T4 Minibus (70B, 70C, 70D, 70J, 70K, 70L, 70M, 70N, 70P, 70Q, 70R, 70S, 70T, 70U, 70V, 70W, 70X, 70Y, 70Z)
SC9119	322	30	90	132	6xM14	14.0	V	6779205	VOLVO FL4.08 FL4.11 (5.5t) / FL6.08 FL6.11 FL6.14 (5.5t) 1986
SC0219	322	30	90	132	8xM14	13.6	V	6 774 686	VOLVO FL6.08 FL6.14 (7.2t) 1986
SC8919	263	24	53	96	6	6.4	V	40206F3903	NISSAN Trade/Ebro (6 holes) 1985
SC4520	276	22	60	67	5	6.1	V	638 421 01 12	MERCEDES Vito (BM638) 108D-110D-113 (+ vented disc) 96
SC5620	280	10	63	67	5	4.3	S	638 423 01 12	MERCEDES Vito (BM638) 108D-110D-113 96
SC9720	282	18	55	68	5	7.1	S	701615301G	VW Transporter (T4) solid disc 6/96
SC0820	278	24	55	68	5	6.5	V	7D0615301A	VW Transporter (T4) vented disc 6/96
SC5021	280	24	62	80	6	7.3	V	7700302128	RENAULT Master (II) 2.5D, 2.8TD 98
SC0421	294	14	43	82	5	7.3	V	1387781	FORD Transit (RWD) 2.3/2.4 Turbo Diesel 00
SC1421	276	24.5	43	82	5	6.1	V	1456667	FORD Transit (FWD) 2.0 Turbo Diesel/2.3/2.4 Turbo Diesel 00
SC4621	305	12	67	90	5	6.7	S	8671017415	RENAULT Master (II) rear
SC4322	308	29.5	56	76	5	10.7	V	7E0615301D	VW Transporter T5 16"
SC1422	305	28	49	72	5	9.6	V	7701206845	RENAULT Trafic (II), Nissan Primastar
SC2622	294	22	45	76	5	7.1	V	7E0615601D	VW Transporter T5 (TRW system)
SC3622	296	10	53	67	5	4.8	S	636 423 0012	MERCEDES Vito (II)
SC5623	280	12	102	68	5	9.1	S	7701206864	NISSAN Primastar, Renault Trafic
SC2823	300	26	56	68	5	8.7	V	7D0615301	VW Transporter (16" Wheels)
SC2923	300	28	59	67	5	8.6	V	639 421 00 12	MERCEDES Vito (II) all mods
SC8424	294	13.5	41	68	5	5.6	S	7D0615601A	VW Transporter (16" Wheels)
SC7325	280	16	17	108	5	5.4	S	1 371 420	FORD Transit
SC0425	300	28	55	93	5	8.8	V	1371393	FORD Transit 330, 350, FWD RWD
SC1425	280	28	55	93	5	7.2	V	1371394	FORD Transit 260, 280, 300, FWD
SC3026	314	22	76	76	5	8.0	V	7L6615601G	VW Transporter 17"
SC6126	333	32.5	56	76	5	11.7	V	7H0615301E	VW Transporter T5 17"
SC6226	313	26	56	68	5	9.3	V	7M3615301	VW Transporter 16" Wheel vented disc, Ch.701000955
SC8326	280	16	69	96	5	8.3	S	1371421	FORD Transit RWD
SC5028	306	28	132	178	6	13.3	V	7186848	IVECO BUS DAILY 65 (C15, C18) 06
SC3029	290	26	53	96	6xM12x1.5	8.4	V	5001871214	NISSAN Cabstar E110.35,1230.35 3.0TD/RENAULT Maxity 130.45,150.45
SC0171	432	45	135	194	10xM16	32.5	V	2069432001	KASSBOHRER (S300,315) 1991->
SC3171	406	48	175	194	10xM16	32.7	V	179-24.11.111-31	KASSBOHRER (S210, 211, 212, 213, 214, 215, 216, 228)
SC4171	322	30	138	216	8x13.1	15.7	V	6 775 223	VOLVO FL6.08 FL6.14 (7.2tons) 1986
SC5171	460	48	119	170	10xM16	34.0	V	1238372	DAF Coaches MB/SB 2000/3000 1986
SC6171	322	30	134	215	8x20.15 2xM10	18.0	V	190 7526	IVECO Eurocargo 80 E15/18/21 100 E15/18/21 180 E21 1991
SC7171	430	50	102	170	12xM16	35.0	V	7173317	IVECO Eurocargo 170 E18/23 EUROTECH all models 1991
SC8171	290	22	111	68	6xM18 6x12.4	15.0	S	190 8792	IVECO New Daily 35.8 35.10 35.12 1996
SC9171	315	35	154	240	6	17.1	V	1904533	IVECO BUS 315.8.17 160R81
SC0271	417	30	80	157	10	12.7	V	812 4117	IVECO BUS 370.12.25 370.12.30 370.12.35 1983
SC1271	322	30	126	148	6x21 3xM8	14.6	V	6172906	FORD Cargo 6.5-7.5 tons 0609 0709 0711 0809 0811 0813 0815 87-91
SC2271	315	26	122	119	10xM12	13.1	V	AMPB887	DAF FA Series - Wabco 456 F-O
SC3271	312	30	137	133	12xM12	14.6	V	AMPB887	LEYLAND RoadRunner series 10/12 DAF FA1000 FA1005 FA45 Series 10

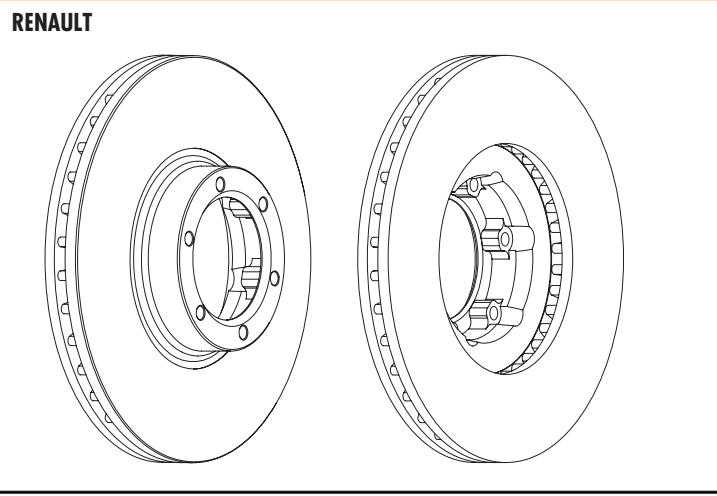
						kg	V S	OE CROSS	
SC4271	290	25	160	120	6x12.5 6xM18	20.2	V	190 4693	IVECO Turbo Daily 59.12 1983
SC5271	370	45	150	215	8x20 2xM10	31.0	V	190 7568	IVECO Eurocargo 120 E15/18/23 130 E15/18/23 260 E23 1991
SC6271	370	45	182	215	8x22.15 2xM10	32.0	V	1907569	IVECO Eurocargo 150 E18/23/27 280 E23 320 E27 1991
SC7271	304	30	128	165	6x18.15 2xM10	13.9	V	1907528	IVECO Eurocargo 60 E10/12/14 65 E10/12/14 75 E12/14/45 1991
SC8271	289	22	84	84	8x10.5	9.3	S	424 7111	IVECO Neew Daily 35.8 35.10 35.12 1996
SC0371	425	45	171	285	10	43.6	V	190 7764	IVECO BUS 480.10.21 480.12.31 490.18.29 490.22 580.21 680.26 1985
SC1371	425	45	166	215	10xM16	37.2	V	1904535	IVECO BUS 471.10.20 471.12.20 571.20 671.20 1985
SC2371	425	45	160	215	10xM16	36.8	V	5001092	INBUS 166 177 177/4 178 U210 283 286 383
SC4371	417	28	67	159	10	41.6	V	9316 1407	IVECO BUS 380/491 Cityclass/EURORIDER
SC5371	436	45	139	210	12xM16	37.7	V	1906438	EUROTECH, Eurostar all models (Knorr SB7 type) 1997
SC2471	374	22	22	60	10x16.7	15.3	S	417 421 00 12	MERCEDES Unimog U600 U800 U1000 1991
SC0571	322	30	115	164	6xM12	15.0	V	6779209	VOLVO FL4 8500
SC2571	438	45	127	195	10xM16	35.0	V	7700816045	VOLVO BUS B10
SC0074	438	45	135	200	10xM16	36.0	V	81.50803.0001	MAN F2000 18/23 mod. 19501/19502 1995
SC1074	324	30	102	135	10xM14	13.5	V	81508030010	MAN L2000 8.103 mod. 19462 1993/1996
SC2074	330	34	104	135	10xM14	16.4	V	81508030024	MAN L2000 L2100 1996
SC3074	377	45	128	162	10xM14	23.0	V	81 50803 0057	MAN M2000
SC5074	330	34	124	157	12xM12	17.1	V	81 50803 0022	MAN L2000 with 17.5" ABS
SC7074	432	45	135	208	10xM16	35.0	V	81 50803 0028	MAN F (ABS)
SC8074	432	45	130	131	12x19 3xM12	36.0	V	81508030031	MAN F90 (12 holes disc) 8995
SC0174	432	45	135	208	10xM16	37.0	V	81508030021	MAN TGA, F2000 Serie
SC0075	430	45	131	208	10xM16	29.5	V	13866867	SCANIA 4 Series
SC5575	438	45	135	195	10xM14	33.5	V	356 421 10 12	MERCEDES Coaches (PCV) O404 O350 1991
SC0657	324	30	111	165	12x13	13.0	V		MCW Metrorider (PCV) 22/33 1987/1989
SC1577	430	45	132	211	10xM14	34.2	V	80162600	MERCEDES Actros 1996
SC1677	272	16	96	85	6x10 1xM11 4x16/20	6.9	S	902 423 06 12 07	MERCEDES Sprinter 2.8t/3.5t
SC2677	324	30	91	118	6xM12	11.0	V	A6684210212	MERCEDES Vario 4.3TDI 1996
SC3677	324	30	120	120	6xM12	15.0	V	A6684230112	MERCEDES Vario 17.5" wheels
SC4677	335	34	102	92	10x14.5	15.0	V	9704210212	MERCEDES Atego 17.5" 1998
SC5677	377	45	138	176	8xM14	26.4	V	A975 423 00 12	MERCEDES Atego 19.5" rear 1998 # Discos axle
SC6677	377	45	134	106	14x14.5	24.0	V	975 421 02 12	MERCEDES Atego 19.5" 1998
SC7677	335	34	111	152	8xM12	15.2	V	970 423 07 12	MERCEDES Atego 17.5" (7to.) rear 1998
SC8677	335	34	111	131	8xM12	16.0	V	970 423 04 12	MERCEDES Atego 17.5" (5 to.) rear 1998
SC9677	304	30	120	120	6xM12	14.0	V	668 423 04 12	MERCEDES Vario 16" wheels
SC0777	304	30	91	118	6xM12	10.5	V	A668 421 01 12	MERCEDES Vario 2.9TD 1996
SC1078	430	45	131	203	10xM16	34.4	V	0.8213.5830	NEOPLAN BUS
SC2078	410	48	120	162	12xM16	29.1	V	351032	VAN HOOL
SC0178	285	22	93	120	6x15.1	7.0	V	9024202901	MERCEDES Sprinter (twin wheel models) rear 1996
SC2178	375	44	128	154	10xM14	25.0	V	NJK2785	LEYLAND/DAF (New 55 Series) 1991
SC9479	354	30	82	128	10x12.4	14.2	V	50 0045 0158	RENAULT Midliner M Series (120, 210, 230) 8994 / S Series (120, 130,
SC0579	350	30	73	145	16x12.1	13.0	V	5010207431	RENAULT Star BUS R312 FR1 1989
SC1579	400	42	90	175	12x12.5	23.7	V	50 0079 0539	RENAULT PSV FR-11993
SC3579	438	45	96	131	10x17.1 2xM14	31.3	V	5010216437	RENAULT Magnum AE385TI AE420TI AE520TI 1993
SC4579	276	24	44	102	10x10.6	6.6	V	50 10 216 433	RENAULT Midliner B80-120 1993
SC5579	304	30	135	250	6x21	15.0	V	50 10 260 101	RENAULT Midliner S Series
SC6597	322	30	140	290	6x21	18.0	V	50 10 216 932	RENAULT Midliner M, S Series
SC8579	380	45	85	117	10x15 2xM14	22.9	V	50 1026 0218	RENAULT Midliner, Midlum
SC0090	430	45	160	192	10x23	38.8	V	4 079 0003 00	SAF 22.5" wheels
SC1090	430	45	130	131	12x19 3xM12	33.0	V	4 079 0005 02	SAF 22.5" wheels
SC2090	377	45	157	169	8x23	27.0	V	4 079 0004 00	SAF 19.5" wheels
SC2290	377	45	159	290	10x23 2x9.7	28.0	V	308834020	BPW EcoPlus 19.5" wheels - Knorr SN6
SC0091	430	45	155	280	10x26.5	36.2	V	13162025	SMB Trailer 9 Ton D430 22.5" (+ABS)
SC1091	290	22	43	102	10x10.5	6.0	V	5010260604	RENAULT V.I Mascott 3.5/5 t 99
SC2091	290	26	43	102	10x10.5	7.0	V	5010260603	RENAULT V.I Mascott 5.5/6/6.5 t 99
SC3091	290	22	78	150	8X11	8.0	V	5010260609	RENAULT V.I Mascott all models rear 99
SC4091	276	22	72	73	5x15.7 2x8.7	8.0	S	42470836	IVECO Daily 29 6/99
SC5091	276	16	67	73	5x15.6 2x8.7	11.0	S	42575663	IVECO Daily 29 (rear no ABS) 6/99
SC9091	375	45	139	131	12x19 3xM12	25.4	V	4 079 0007 00	SAF 19.5" wheels
SC0191	377	45	138	169	8xM14	27.0	V	M07 8157	SMB Trailer (+ABS)
SC2191	324	30	120	157	6xM12	12.2	V	A668 423 01 12	MERCEDES Vario 4.3TDI 1996

						kg	V S	OE CROSS	
SC3191	434	45	97	131	10x17 2xM14	33.0	V	50 10 216 437	RENAULT Magnum E-Tech 95
SC4191	434	45	160	224	12xM14	47.0	S	50 10 422 364	RENAULT Magnum E-Tech 95
SC6191	330	34	137	194	6x21	20.0	V	74 21 866 443	RENAULT Midlum
SC7191	375	45	167	222	8x22.5	30.2	V		RENAULT Midlum (+ABS)
SC0291	258	12	96	85	5x15 1x9/17 1x16/23	6.2	S	9014231012	MERCEDES Sprinter 2.8t 2002
SC2291	276	22	77	85	5x15 1x9/17 1x16/23	6.8	V	901 421 06 12	MERCEDES Sprinter 2.8t/3.5t VW
SC3291	377	45	159	230	8x23 2x10.5 5xM6	27.0	V	308834030	BPW 19.5" wheels with ABS
SC5291	432	45	139	210	12xM16x2	37.7	V	2992477	IVECO Stralis
SC6291	304	30	120	157	6xM12	11.4	V	A668 423 00 12	MERCEDES Vario 2.9TD 1996
SC7291	330	34	123	117	12xM12x1.75	18.0	V	1400163	DAF LF45 7t 2001 (+ABS)
SC8291	330	34	143	133	16xM12x1.75	19.3	V	1408253	DAF LF45 12t 2001 (+ABS)
SC9291	330	34	119	150	12xM12x1.175	18.0	V	1407 581	DAF LF45 2001
SC0391	375	45	99	117	10x15 2xM14x2	23.4	V	74 21 867 375	DAF LF55
SC1391	375	45	146	179	10xM14	29.0	V	1400284	DAF LF55 (+ABS)
SC3391	335	34	118	154	2xM8 10xM14x1.5	17.0	V	81 50803 0054	MAN TGL
SC4391	335	34	93	90	10x15 2xM10	17.0	V	81 50803 0053	MAN TGL
SC6391	300	28	69	85	6x15 1x9	9.2	V	9064210112	Mercedes Sprinter - VW Crafter
SC7391	298	16	71	85	6x15 1x9	7.3	S	9104230000	Mercedes Sprinter - VW Crafter
SC8391	303	28	93	120	6x15	9.6	V	9074230100	Mercedes Sprinter - VW Crafter
SC1491	430	45	160	201	10x22.5	33.0	V	308835050	BPW no ABS
SC2491	377	45	151	225	8xM20 2xM10	31.0	V	7184081	IVECO EuroCargo Tector 1300ABS
SC3491	377	45	159	290	10x23 2x10 5xM6	27.9	V	03.088.34.02.0	BPW 19.5" wheels with ABS
SC4491	377	45	169	290	10x23 2x9.8	29.0	V	03 088 34 08 7	BPW EcoPlus SB3745 - 04/03
SC5491	375	45	160	189	10x22.2	29.0	V	03.088.34.14.7	BPW SB3745 - heat ribbed - no ABS
SC6491	377	45	159	189	10x22.5	29.0	V	03 088 34 13 0	BPW SB3745 - heat ribbed
SC7491	430	45	160	290	10x23	34.5	V	9267035	GIGANT- no ABS
SC2591	430	45	160	290	10x23	37.4	V	9267066	GIGANT - ABS
SC4591	290	26	53	80	9x12.5	7.4	V	4257 5664	IVECO Daily (III) 60/65
SC6519	377	45	112	117	10x15 2M14	24.9	V	1525 384	DAF SB120
SC9591	306	22	136	178	6xM10	13.7	S	718 2874	IVECO Daily (III) 60/65
SC0691	430	45	143	149	10x21 + 2xM12	34.9	V	9434210512	MERCEDES Actros 07
SC1691	432	45	154	210	12	38.0	V	2995812	IVECO Stralis with ABS
SC2691	296	16	70	76	6	7.6	S	2996028	IVECO Daily IV 29L035S 10/12/14
SC3691	296	16	70	76	6	7.6	S	4639 3181	IVECO Daily IV 35S 10/12/14
SC4691	290	28	46	64	9	8.5	V	2996121	IVECO Daily IV 35C -50C
SC5691	300	28	75	78	6	8.6	V	5801639518	IVECO Daily IV 29L035S 10/12/14
SC8691	290	22	111	123	6	14.8	S	504080994	IVECO Daily III Minibus 290
SC0791	377	45	151	215	8xM20 2xM10	33.0	V	2992271	IVECO EuroCargo Tector 130
SC1791	377	45	151	215	8xM22 2xM10	32.6	V	2996707	IVECO EuroCargo Tector 150
SC2791	330	34	141	215	8x20 2xM10	23.2	V	7182199	IVECO Eurocargo 110EL-120EL (17.5") Wabco PAN17 (+ABS)
SC5791	377	45	151	225	8xM22 2xM10	31.0	V	7184082	IVECO EuroCargo Tector 1500ABS
SC9791	322	30	134	215	8x20.15 2xm10	20.1	V	1907726	IVECO EUROCARGO I-III, 01/91 - 09/15
SC8891	377	45	151	225	8xM20 2xM10	33.6	V		IVECO Tector 130
SC2991	294	24	88	128	8	8.7	V	46393182	IVECO Daily (IV) 35C & 50c 10/12/14/15/18 (twin rear wheel +ABS crown)
SC3991	377	45	139	169	8xM14	27.1	V	1525 386	DAF SB120
SC5991	294	24	84	128	8	8.3	V	2996033	IVECO Daily (IV) 35C & 50c 10/12/14/15/18 (+ twin rear wheel)
SC4592	430	45	131	131	10x21 + 2xM12	34.700	V	960 421 05 12	MB Actros IV (Front)
SC1792	280	16	142	105	6xM18 6x12.5 3xM6	13.4	S	190 4531	IVECO Daily-Grinta 35.12 45.10 Turbo 45.12 49.10 Turbo 49.12 85-93 1
SC2792	304	30	91	118	6xM12	10.5	V	A669 421 01 12	MERCEDES L510D L609D L709D L711D 1985
SC3792	276	24	50	96	5	7.1	V	40206-9X500	NISSAN Cabstar E 120 1998

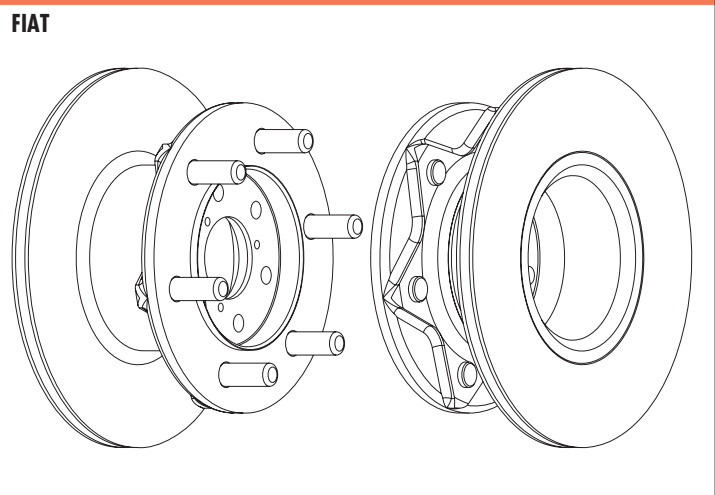
SC1211  \varnothing **A B C D** Kg  ABS
 270 14.3 12 71 78.5 5.51 5 -



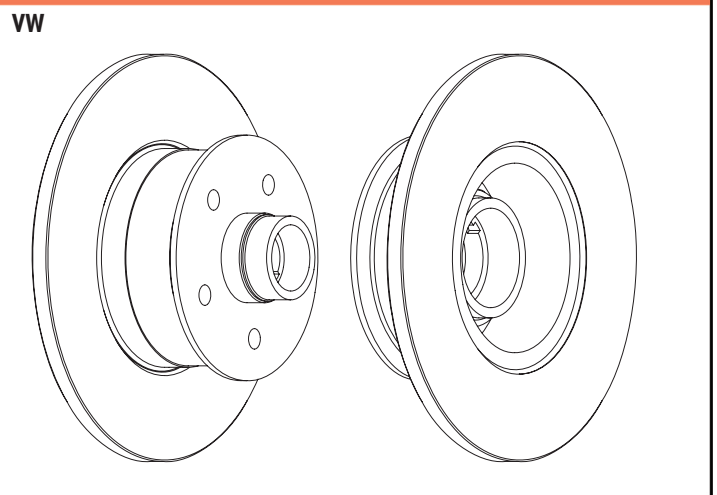
SC1711  \varnothing **A B C D** Kg  ABS
 252 24 22 53.5 76 5.8 6 -



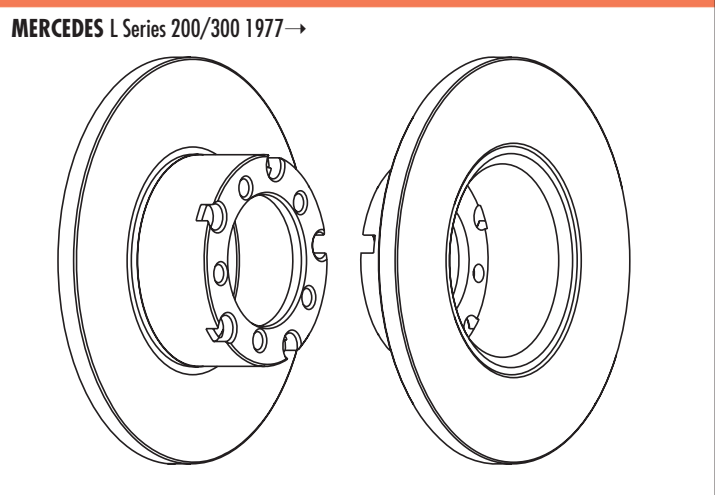
SC7211  \varnothing **A B C D** Kg  ABS
 267 14.2 12.8 111 58 10.8 6 -



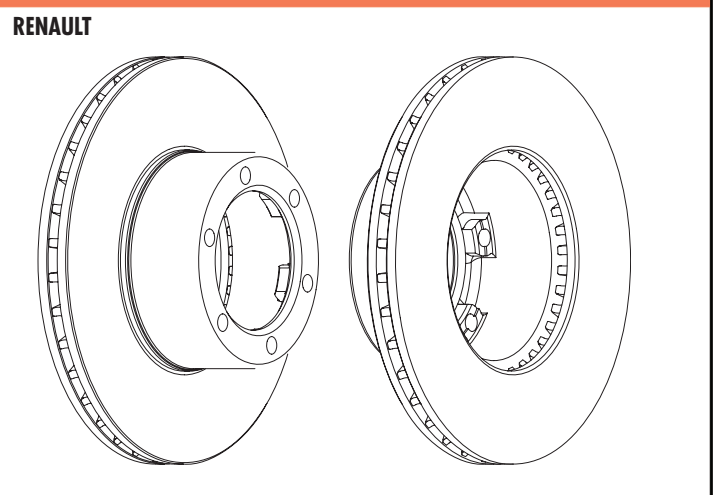
SC2512  \varnothing **A B C D** Kg  ABS
 278 13 11 119 45 8.8 5 -





SC7211  \varnothing **A B C D** Kg  ABS
 267 14.2 12.8 111 58 10.8 6 -



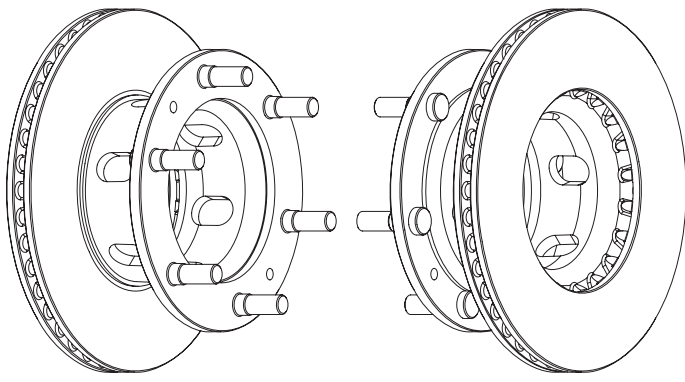
SC2512  \varnothing **A B C D** Kg  ABS
 278 13 11 119 45 8.8 5 -





SC2413  \varnothing **A B C D** Kg  ABS

315 26 23 118.5 160 13.7 6x18.05 2xM10 -

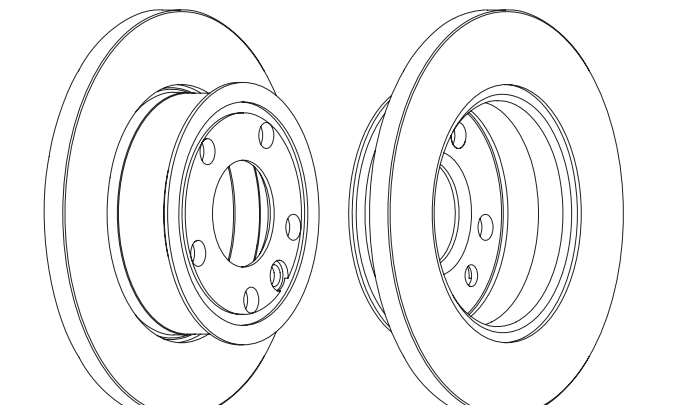
IVECO Zeta 65.12 Turbo 79.12 Turbo 79.14(III) BUS 55.14 BUS 70.14 1987→





SC9016  \varnothing **A B C D** Kg  ABS

260 16 14 64.5 68.1 5.6 5 -

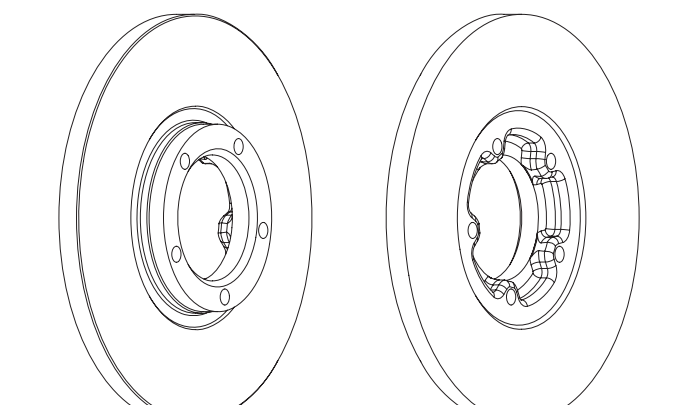
VW Transporter (T4)





SC8713  \varnothing **A B C D** Kg  ABS

254 14.3 12.9 31.5 78.5 4.95 5 -

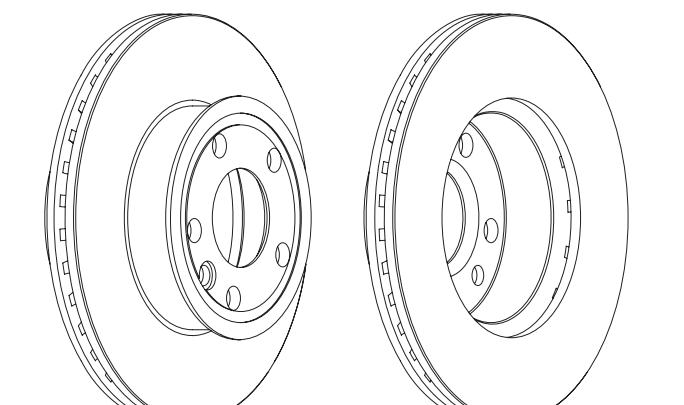
FORD





SC0116  \varnothing **A B C D** Kg  ABS

280 24 22 64.5 68.1 6.9 5 -

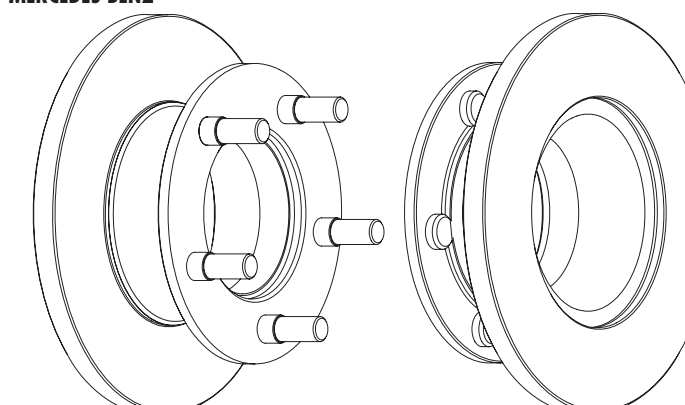
VW Transporter (T4)





SC7715  \varnothing **A B C D** Kg  ABS

238.5 16 14.5 79 102 6.1 5 -

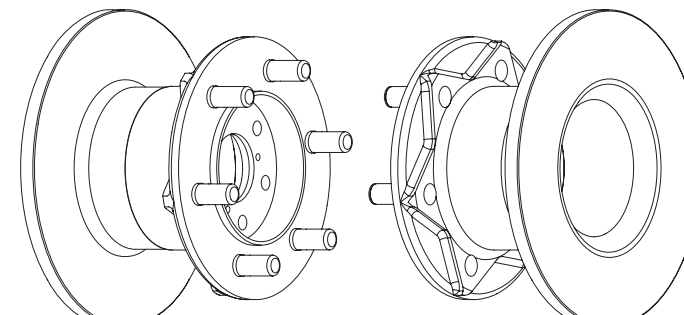
MERCEDES BENZ





SC2116  \varnothing **A B C D** Kg  ABS

267 14.2 12.8 154 58.3 12.4 6 -

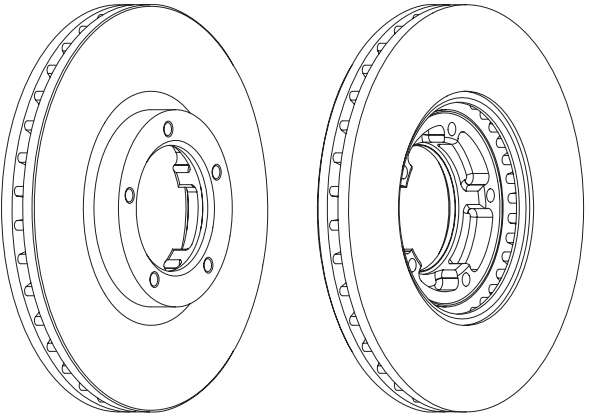
IVECO





SC4216  \varnothing **A B C D** Kg  ABS

254 24.5 22 43 78.5 5.74 5 -

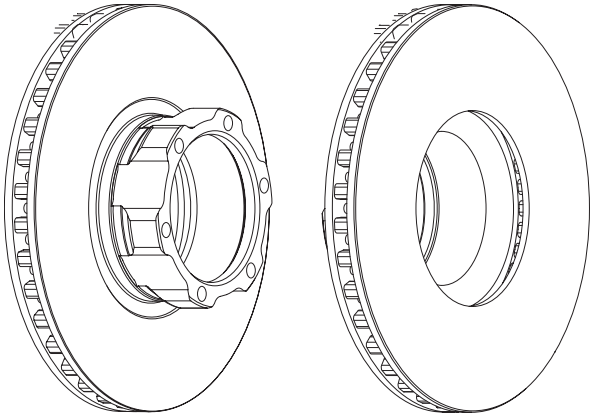
FORD Transit all models 14" 11/94 →





SC4517  \varnothing **A B C D** Kg  ABS

324 30 26 91 118 11 6xM12 -

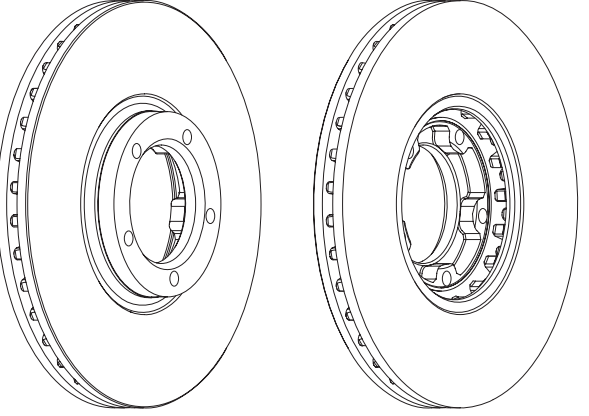
MERCEDES L Series 809D/811D/814D MCW/OPTARE StarRider 1986 →





SC5216  \varnothing **A B C D** Kg  ABS

270 24.5 22 43 78.5 6.5 5 -

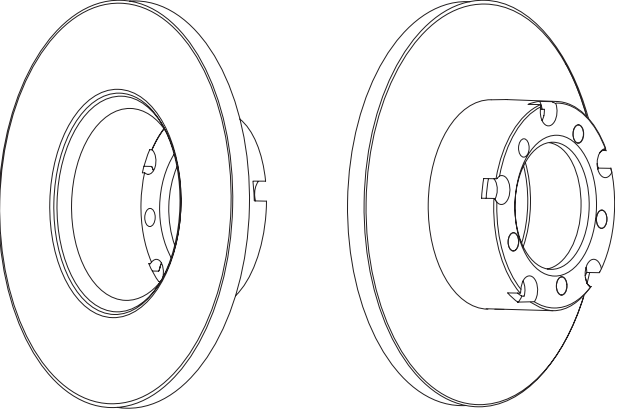
FORD Transit all models 15" 11/94 →





SC4518  \varnothing **A B C D** Kg  ABS

280 22 19 78.5 88 8.7 5x18 5x12.5 -

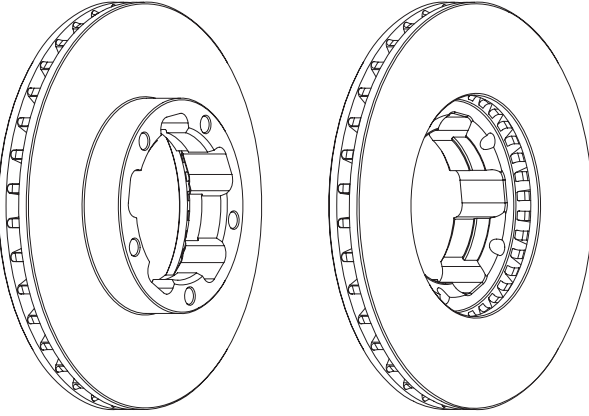
MERCEDES L Series 409/507/510 1988 →





SC8017  \varnothing **A B C D** Kg  ABS

263 24 22 53 96 6.3 5 -

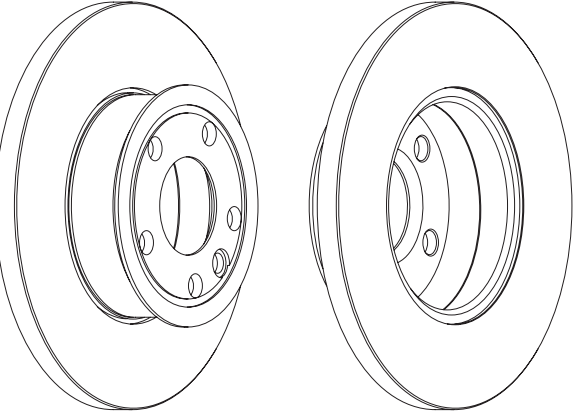
NISSAN Trade/Ebro (5 holes) 85 →





SC7518  \varnothing **A B C D** Kg  ABS

282 18 15 64.7 68.1 7.3 5 -

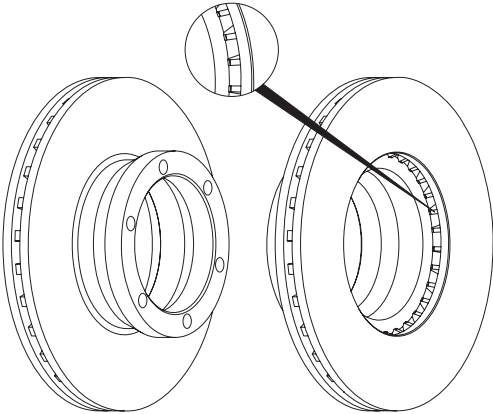
VOLKSWAGEN





SC9119  \varnothing **A B C D** Kg  ABS

322 30 28 90 132 14 6xM14 -

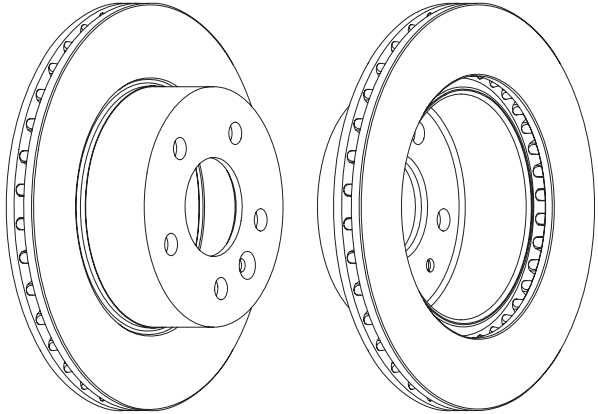
VOLVO FL4.08 FL4.11 (5.5t) / FL6.08 FL6.11 FL6.14 (5.5 tons) 1986 →





SC4520  \varnothing **A B C D** Kg  ABS

276 22 20 60 67 6.1 5 -

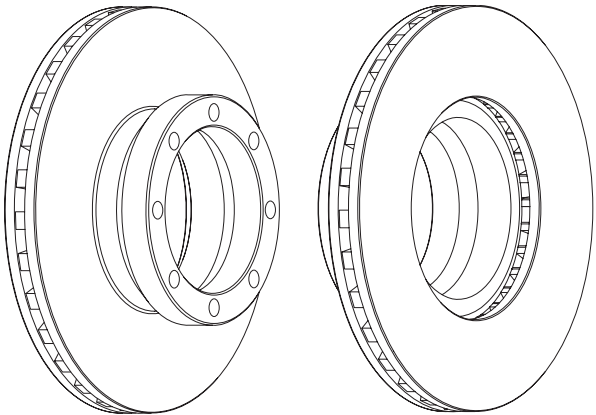
MERCEDES Vito (BM638) 108D-110D-113 (+ vented disc) 96 →





SC0219  \varnothing **A B C D** Kg  ABS

322 30 28 90 132 13.6 8xM14 -

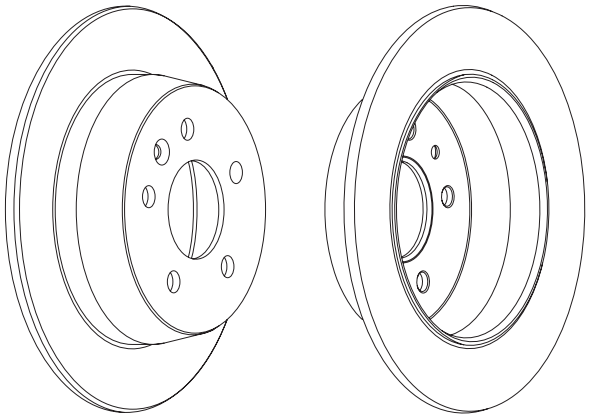
VOLVO FL6.08 FL6.14 (7.2t) 1986 →





SC5620  \varnothing **A B C D** Kg  ABS

280 10 8 63.2 61 4.3 5 -

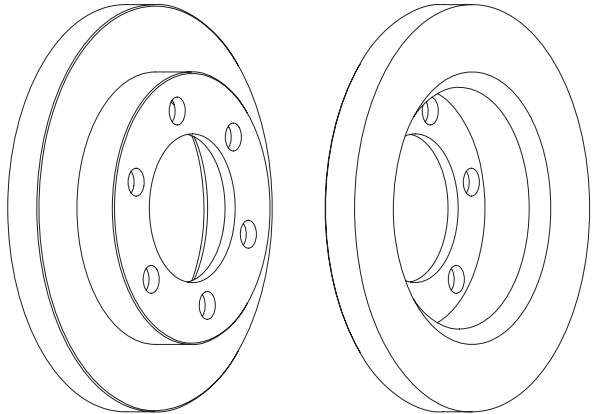
MERCEDES Vito (BM638) 108D-110D-113 96 →





SC8919  \varnothing **A B C D** Kg  ABS

263 24 22.4 53 96 6.4 6 -

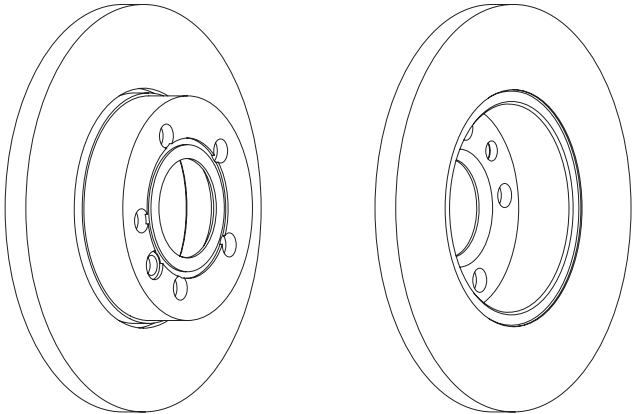
NISSAN Trade/Ebro (6 holes) 85 →





SC9720  \varnothing **A B C D** Kg  ABS

282 18 15 55.2 68.2 7.05 5 -

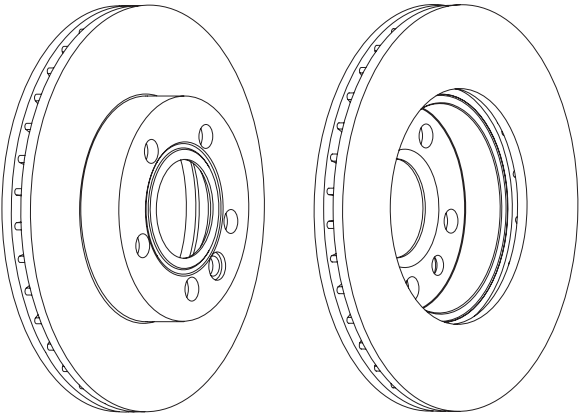
VW Transporter (T4) solid disc 6/96 →





SC0820  \varnothing **A B C D** Kg  ABS

280 24 20 55.5 68.2 6.53 5 -

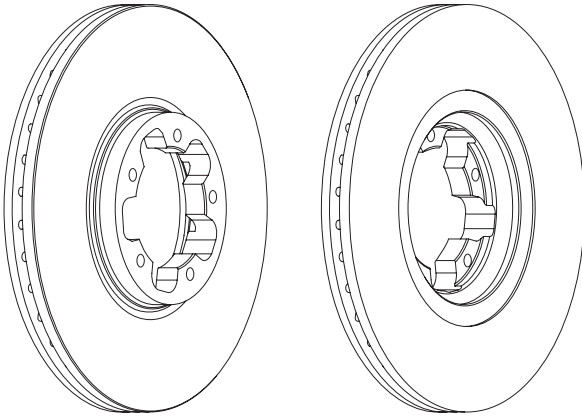
VW Transporter (T4) vented disc 6/96 →





SC1421  \varnothing **A B C D** Kg  ABS

276 24.5 22.1 43 82 6.1 5 -

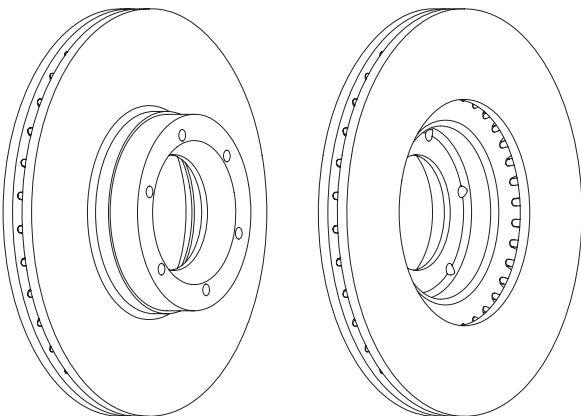
FORD Transit (FWD) 2.0 Turbo Diesel/2.3/2.4 Turbo Diesel 00 →





SC5021  \varnothing **A B C D** Kg  ABS

280 24 21 61.5 79.5 7.3 6 -

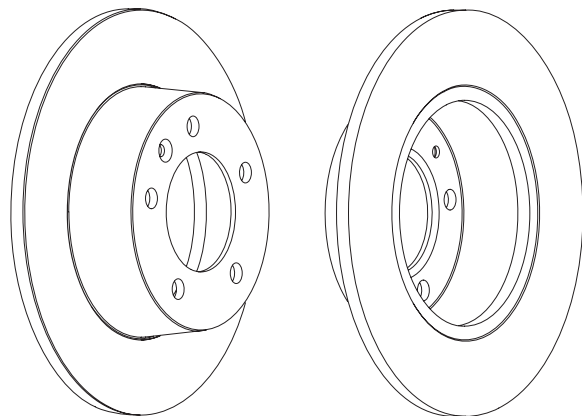
RENAULT Master (II) 2.5D, 2.8TD 98 →





SC4621  \varnothing **A B C D** Kg  ABS

305 12 10.5 66.8 90 6.7 5 -

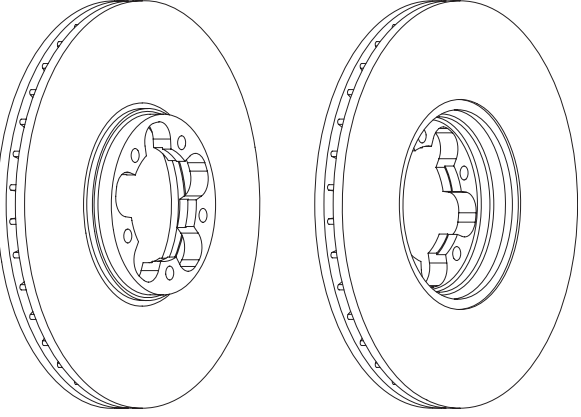
RENAULT Master (II) rear





SC0421  \varnothing **A B C D** Kg  ABS

294 24.3 22.1 43 82 7.25 5 -

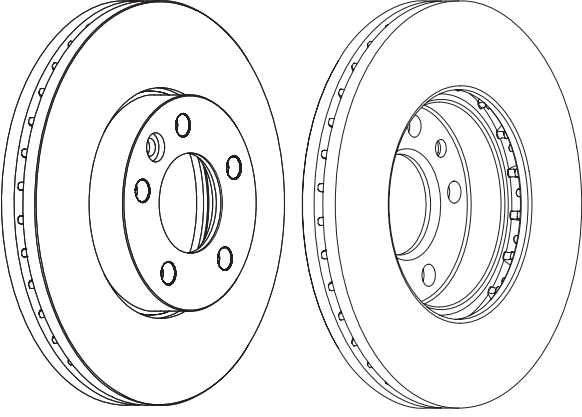
FORD Transit (RWD) 2.3/2.4 Turbo Diesel 00 →





SC4322  \varnothing **A B C D** Kg  ABS

308 29.5 25.5 55.6 76 10.72 5 -

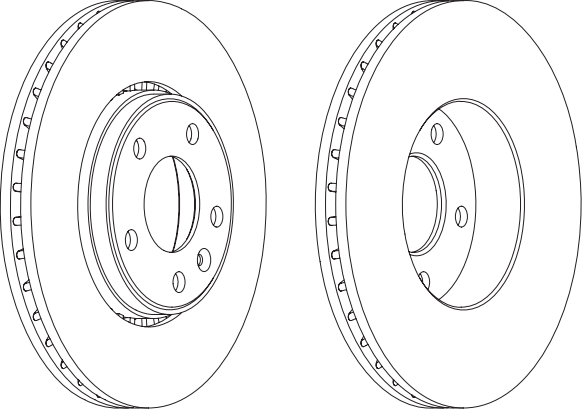
VW Transporter T5 16"





SC1422  \varnothing **A B C D** Kg  ABS

305.5 28 24 49.7 72 9.55 5 -

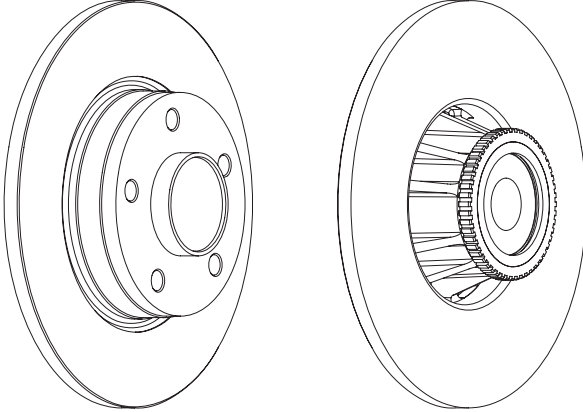
RENAULT Trafic (II), Nissan Primastar





SC5623  \varnothing **A B C D** Kg  ABS

280 12 10.5 102.2 64.5 9.1 5 ABS ring

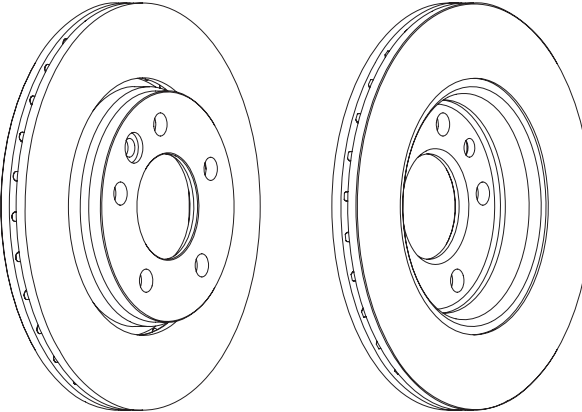
NISSAN Primastar, Renault Trafic





SC2622  \varnothing **A B C D** Kg  ABS

294 22 19.5 44.3 76 7.1 5 -

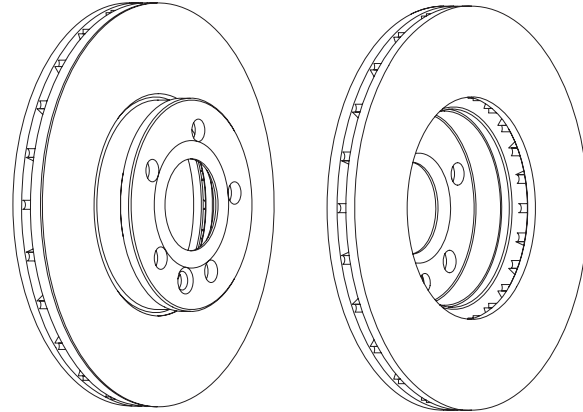
VW Transporter T5 (TRW system)





SC2823  \varnothing **A B C D** Kg  ABS

300 26 22 56 68 8.7 5 -

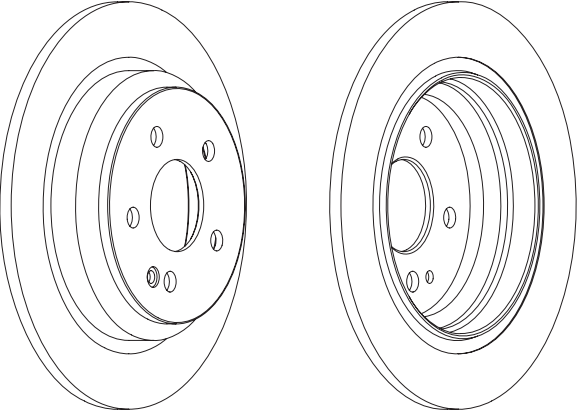
VW Transporter 16" Wheels





SC3622  \varnothing **A B C D** Kg  ABS

296 10 8 57.7 67 4.8 5 -

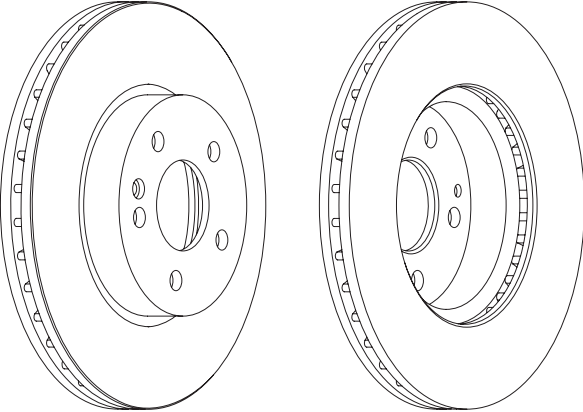
MERCEDES Vito (II)





SC2923  \varnothing **A B C D** Kg  ABS

300 28 25 59 63 8.6 5 -

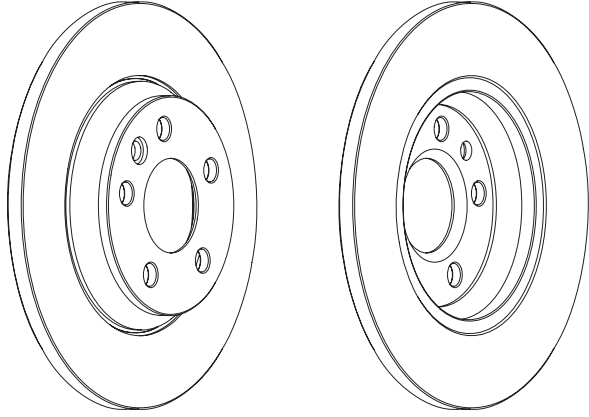
MERCEDES Vito (II) all mods





SC8424  \varnothing **A B C D** Kg  ABS

294 13.6 11.5 41.2 68 5.62 5 -

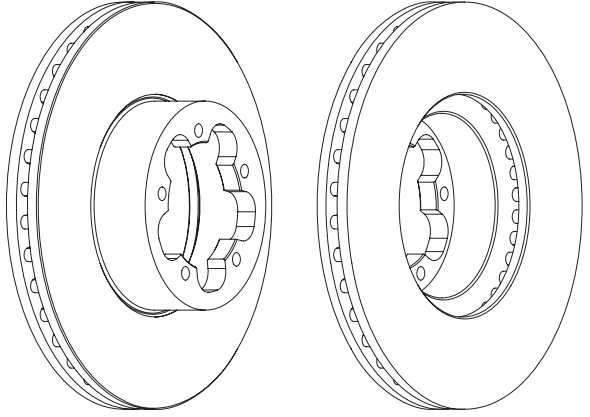
VW Transporter (16" Wheels)





SC1425  \varnothing **A B C D** Kg  ABS

280 28 25 54.4 93 7.2 5 -

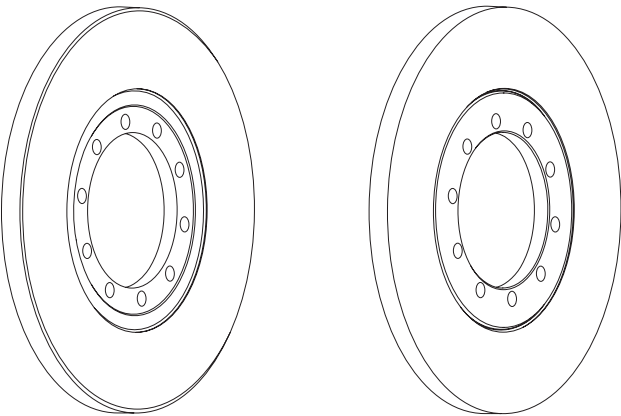
FORD Transit 260, 280, 300, FWD





SC7325  \varnothing **A B C D** Kg  ABS

280 16 15 16 107.5 5.4 5 -

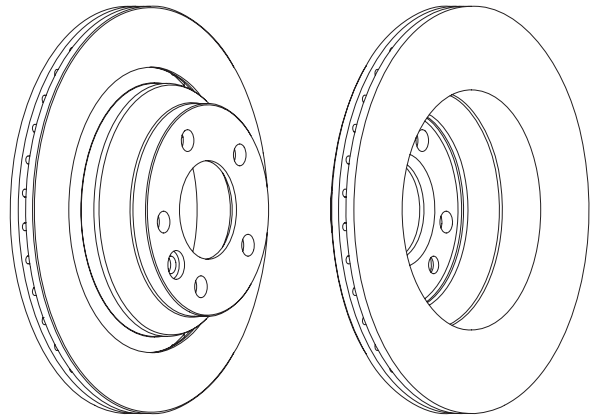
FORD Transit





SC3026  \varnothing **A B C D** Kg  ABS

314 22 18 75.9 76 8 5 -

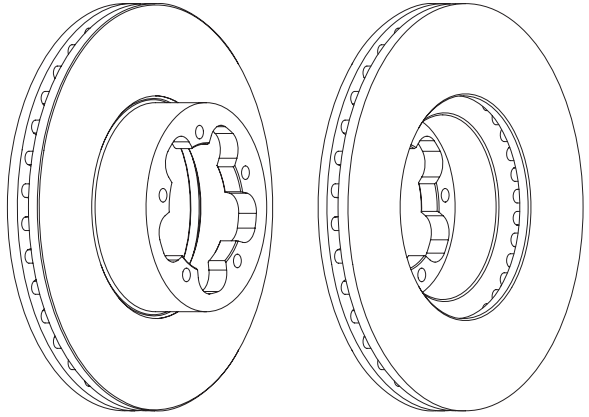
VW Transporter 17"





SC0425  \varnothing **A B C D** Kg  ABS

300 28 25 54.5 93 8.8 5 -

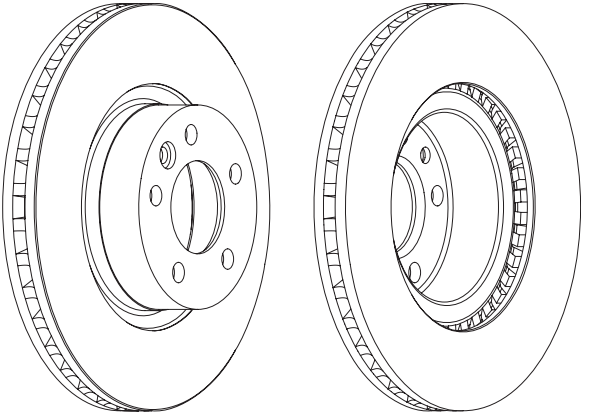
FORD Transit 330, 350, FWD RWD





SC6126  \varnothing **A B C D** Kg  ABS

333 32.5 28.5 55.4 76 11.7 5 -

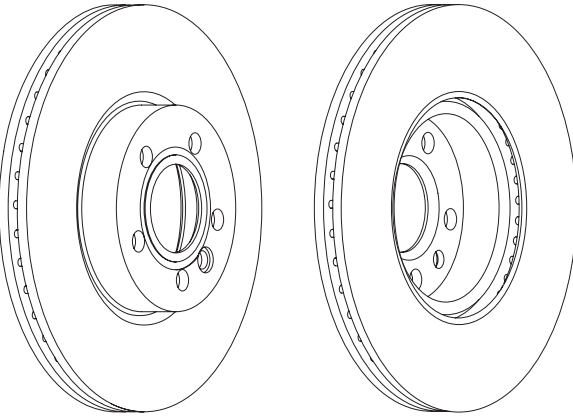
VW Transporter T5 17"





SC6226  \varnothing **A B C D** Kg  ABS

313 26 22 56.4 68.2 9.26 5 -

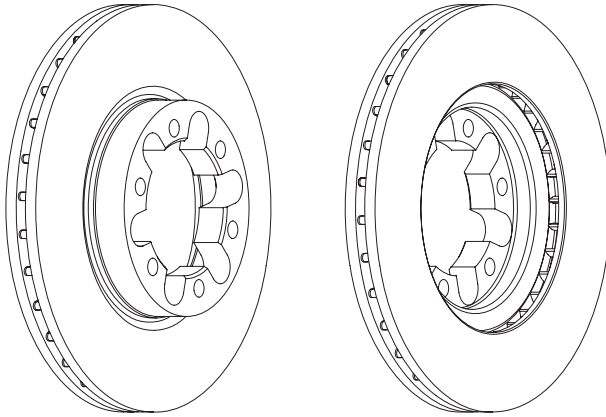
VW Transporter 16" Wheel vented disc, Ch.701000955 →





SC3029  \varnothing **A B C D** Kg  ABS

290.1 26 23 52.9 96.1 8.4 6xM12x1.5 -

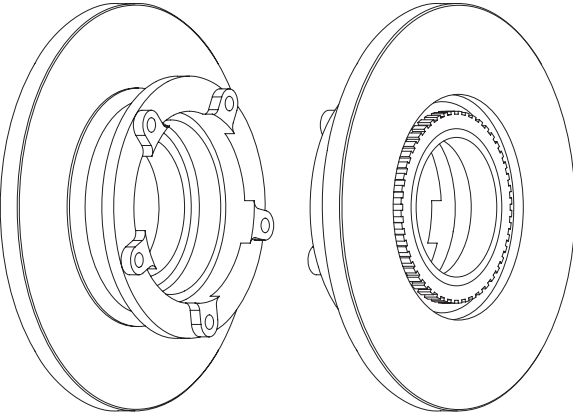
NISSAN Cabstar E 110.35, 1230.35 3.0TD / RENAULT Maxity 130.45, 150.45





SC8326  \varnothing **A B C D** Kg  ABS

280 16 13 68.8 96 8.3 5 ABS ring

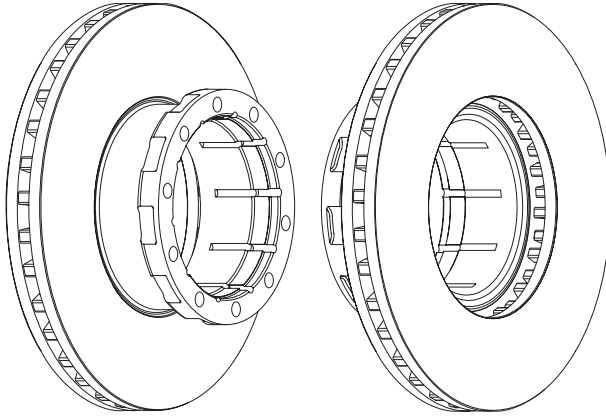
FORD Transit RWD





SC0171  \varnothing **A B C D** Kg  ABS

432 45 35 135 194 32.5 10xM16 -

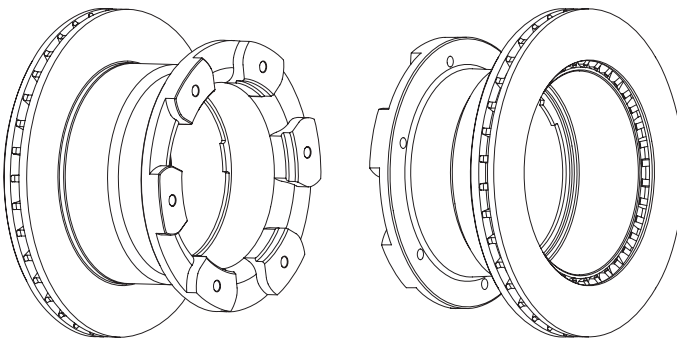
KASSBOHRER (S300,315) 1991 →





SC5028  \varnothing **A B C D** Kg  ABS

305.8 28 25 132 178.2 13.3 6

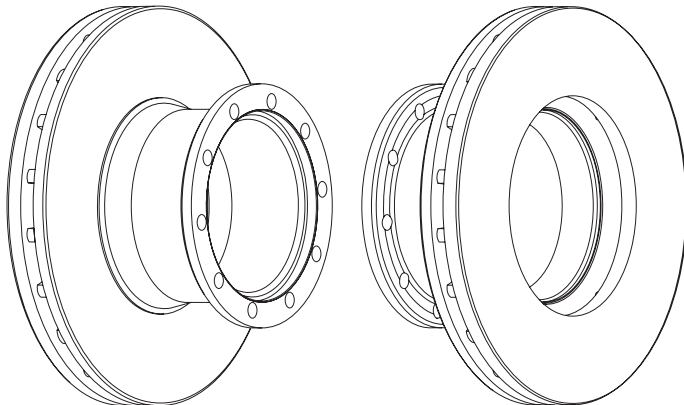
IVECO BUS DAILY 65 (C15, C18) 06 →





SC3171  \varnothing **A B C D** Kg  ABS

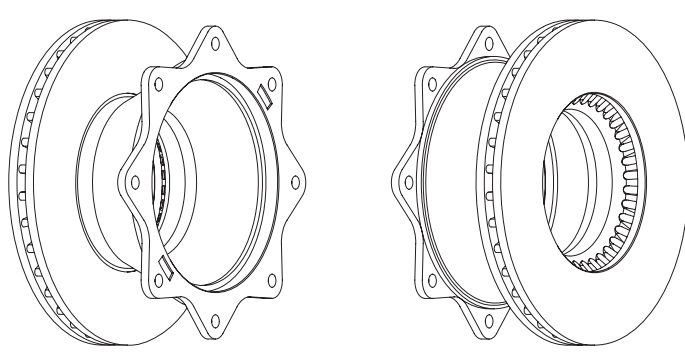
406 48 38 175 194 32.7 10xM16 -



KASSBOHRER (S210, 211, 212, 213, 214, 215, 216, 228)



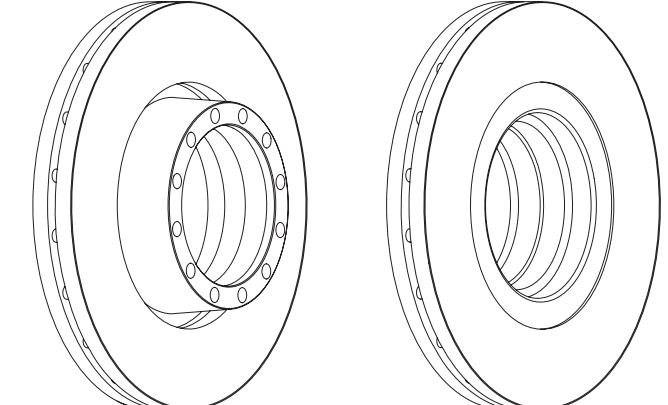
SC4171  \varnothing **A B C D** Kg  ABS
 322 30 27.75 138 216 15.7 8x13.1 -



VOLVO FL6.08 FL6.14 (7,2tons) 1986→



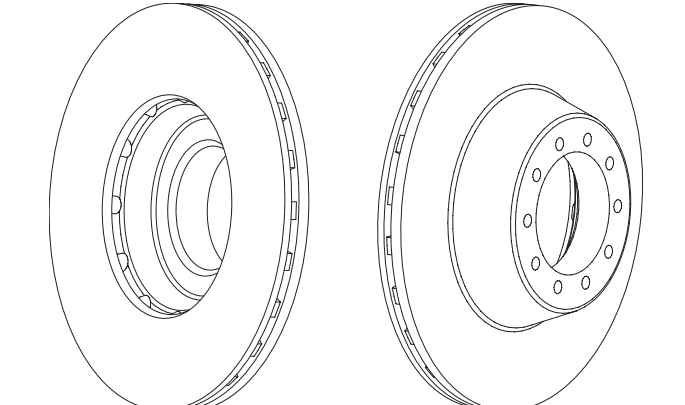
SC7171  \varnothing **A B C D** Kg  ABS
 430 50 46 102 170 35 12xM16 -



IVECO Eurocargo 170 E18/23 EUROTECH all models EUROSTAR all models 1991→



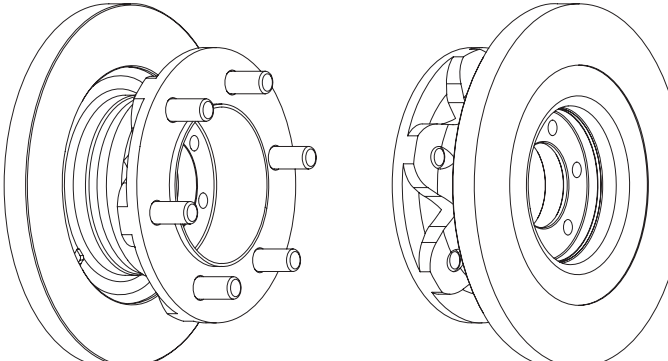
SC5171  \varnothing **A B C D** Kg  ABS
 460 48 46 119 170 34 10xM16 -



DAF Coaches MB/SB 2000/3000 1986→



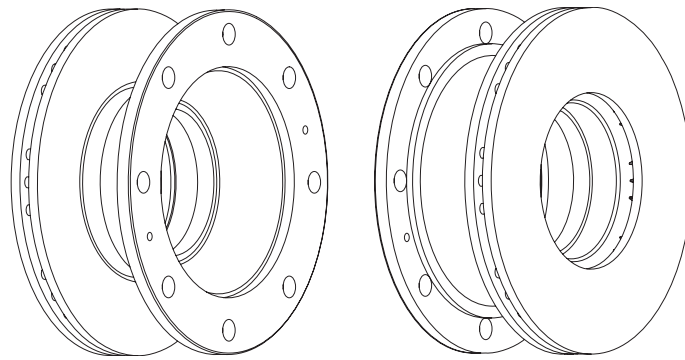
SC8171  \varnothing **A B C D** Kg  ABS
 290 22 20 110.5 68 15 6xM18 6x12.4 -



IVECO New Daily 35.8 35.10 35.12 1996→



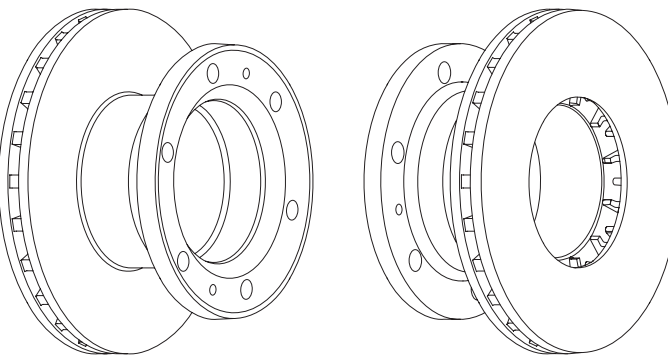
SC6171  \varnothing **A B C D** Kg  ABS
 322 30 27.75 134 215 18 8x20.15 2xM10 -



IVECO Eurocargo 80 E15/18/21 100 E15/18/21 180 E21 1991→



SC9171  \varnothing **A B C D** Kg  ABS
 315 35 33 153.5 240 17.1 6 -

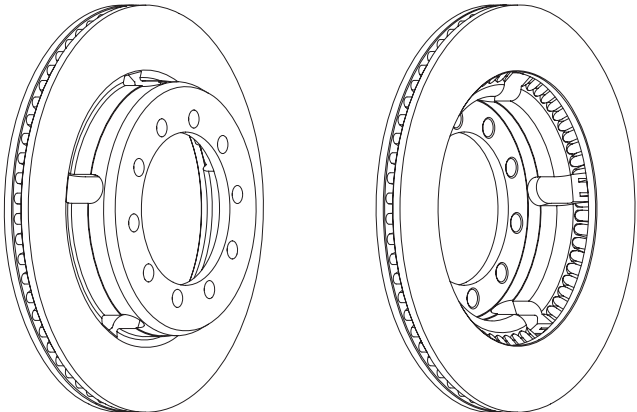
IVECO BUS 315.8.17 160R81





SC0271  \varnothing **A B C D** Kg  ABS

417 30 28 80 157 12.7 10 -

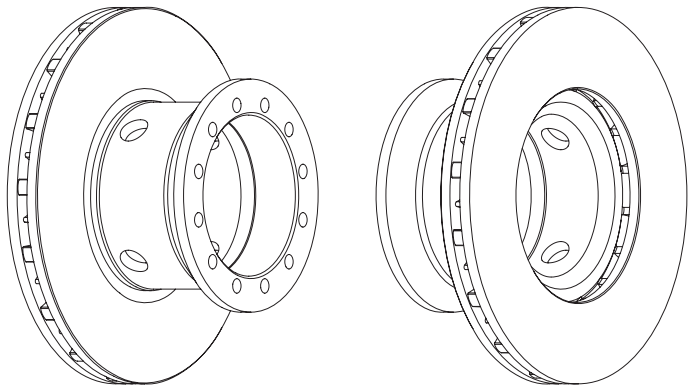
IVECO BUS 370.12.25 370.12.30 370.12.35 1983 →





SC3271  \varnothing **A B C D** Kg  ABS

312 30 27.5 134 133.5 14.6 12xM12 -

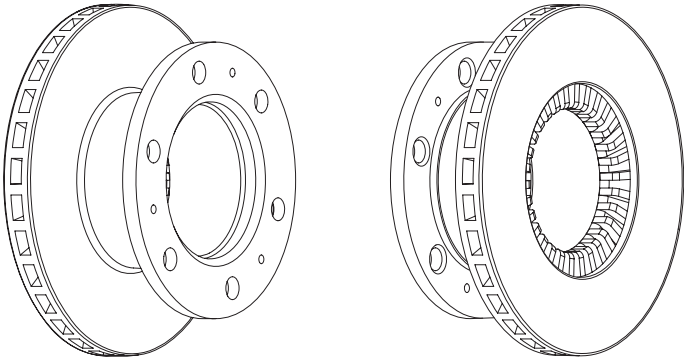
LEYLAND RoadRunner series 10/12 DAF FA1000 FA1005 FA45 Series 10to 1987 →





SC1271  \varnothing **A B C D** Kg  ABS

322 30 28 126 148 14.6 6x21 3xM8 -

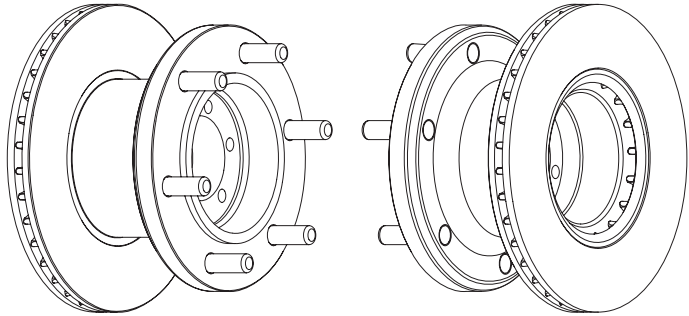
FORD Cargo 6,5 - 7,5 tons 0609 0709 0711 0809 0811 0813 0815 1987 →1991





SC4271  \varnothing **A B C D** Kg  ABS

290 25 23 160.5 120 20.2 6x12.5 6xM18 -

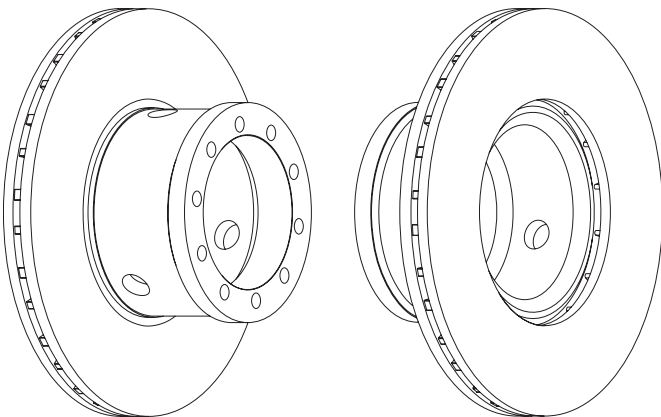
IVECO Turbo Daily 59.12 1983 →





SC2271  \varnothing **A B C D** Kg  ABS

315 26 24 122 119 13.1 10xM12 -

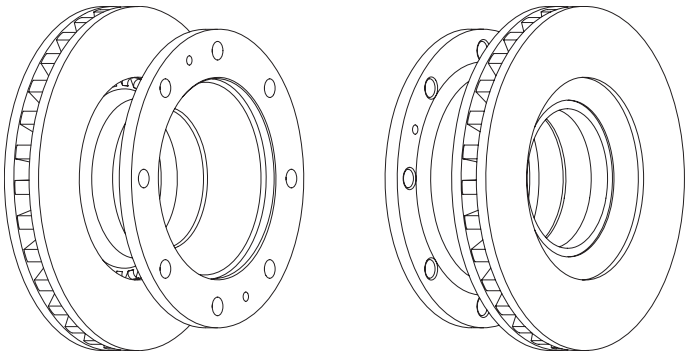
DAF FA Series - Wabco 456 F-0





SC5271  \varnothing **A B C D** Kg  ABS

370 45 41 150 215 31 8x20 2xM10 -

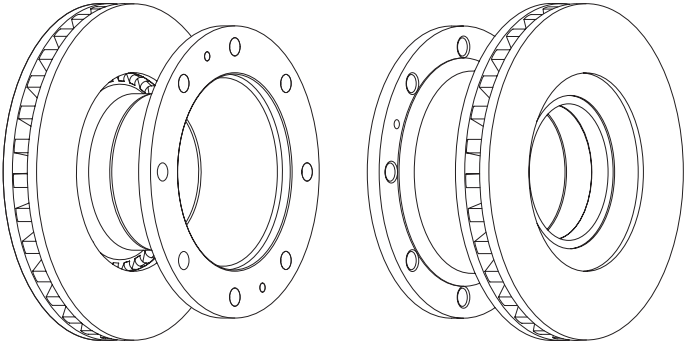
IVECO Eurocargo 120 E15/18/23 130 E15/18/23 260 E23 1991 →





SC6271  \varnothing **A B C D** Kg  ABS

370 45 41 181.5 215 32 8x22.15 2xM10 -

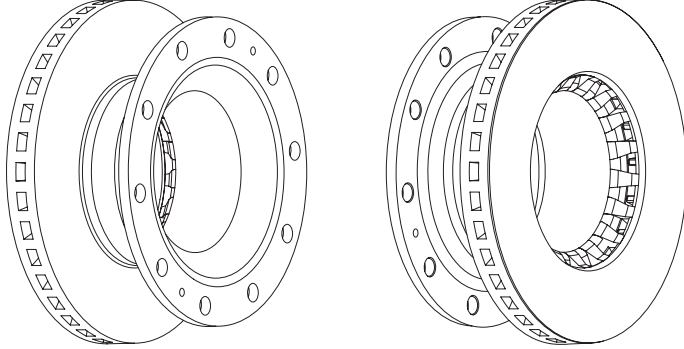
IVECO Eurocargo 150 E18/23/27 280 E23 320 E27 1991→





SC0371  \varnothing **A B C D** Kg  ABS

425 45 43 170.5 285 43.6 10 -

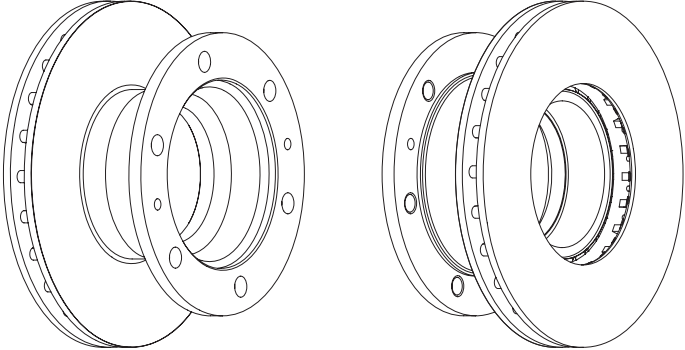
IVECO BUS 480.10.21 480.12.31 490.18.29 490.22 580.21 680.26 1985→





SC7271  \varnothing **A B C D** Kg  ABS

304 30 27.7 128.5 165 13.9 6x18.15 2xM10 -

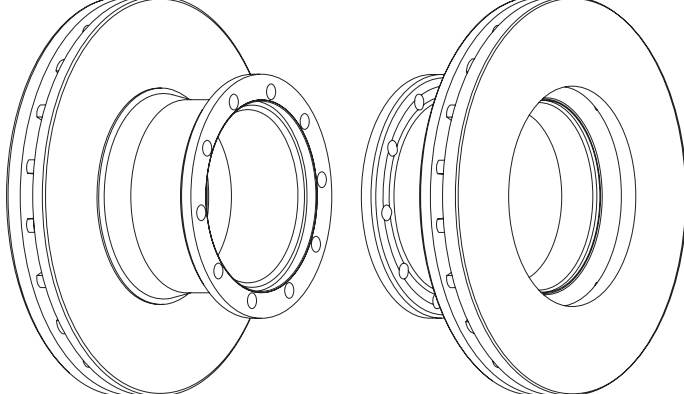
IVECO Eurocargo 60 E10/12/14 65 E10/12/14 75 E12/14/45 1991→





SC1371  \varnothing **A B C D** Kg  ABS

425 45 38 165.5 215 37.2 10xM16 -

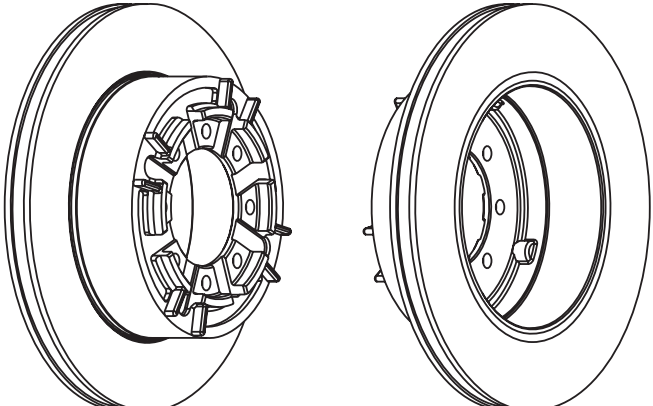
IVECO BUS 471.10.20 471.12.20 571.20 671.20 1985→





SC8271  \varnothing **A B C D** Kg  ABS

289 22 19 84.5 84 9.3 8x10.5 -

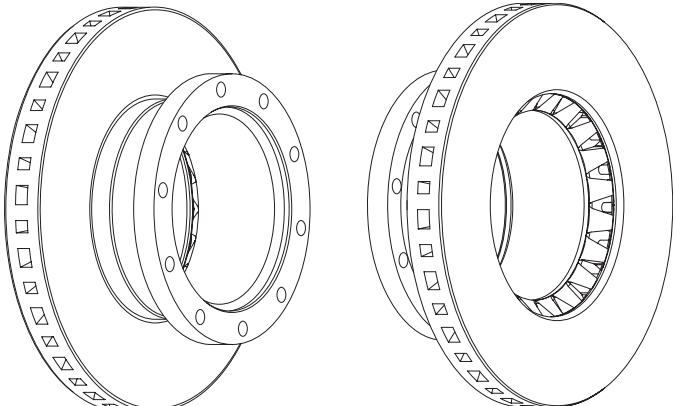
IVECO New Daily 35.8 35.10 35.12 1996→





SC2371  \varnothing **A B C D** Kg  ABS

425 45 38 159.5 215 36.8 10xM16 -

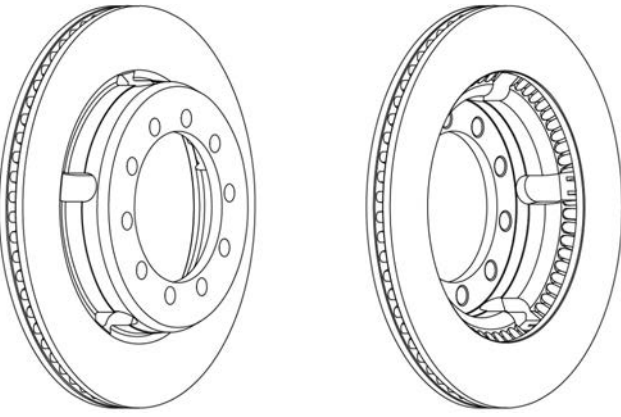
INBUS 166 177 177/4 178 U210 283 286 383





SC4371  \varnothing **A B C D** Kg  ABS

417 28 25.5 67 159 41.6 10 -

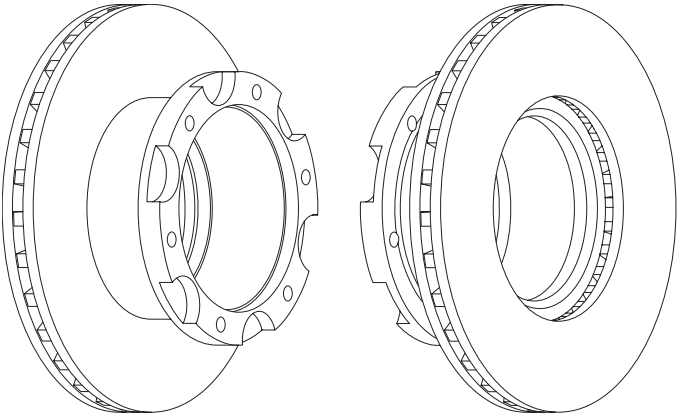
IVECO BUS 380/491 Cityclass/EURORIDER





SC0571  \varnothing **A B C D** Kg  ABS

322 30 28 115 164 15 6xM12 -

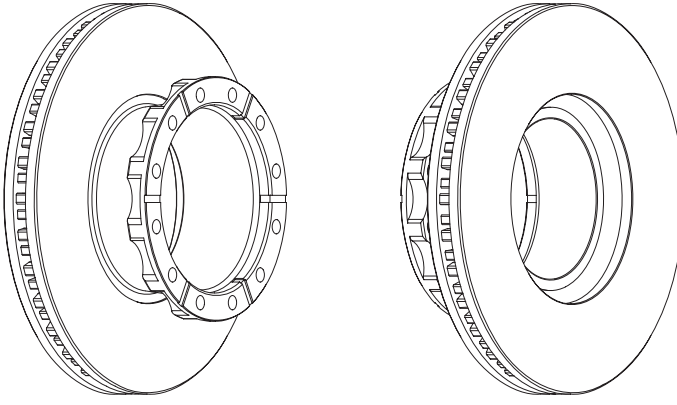
VOLVO FL4 85→00





SC5371  \varnothing **A B C D** Kg  ABS

436 45 37 138.5 210 37.7 12xM16 -

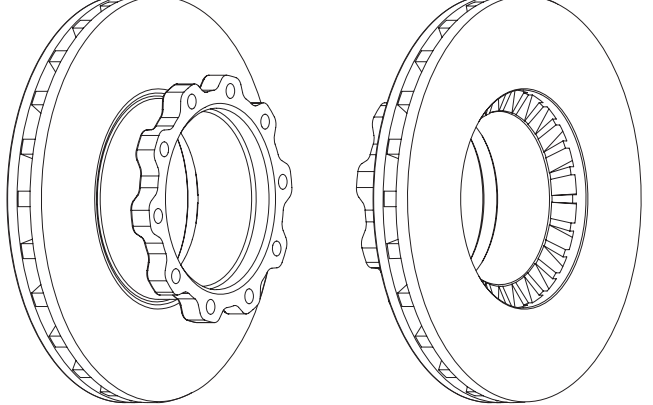
EUROTECH, Eurostar all models (Knorr SB7 type) 1997→





SC2571  \varnothing **A B C D** Kg  ABS

438 45 38 127.1 195 35 10xM16 -

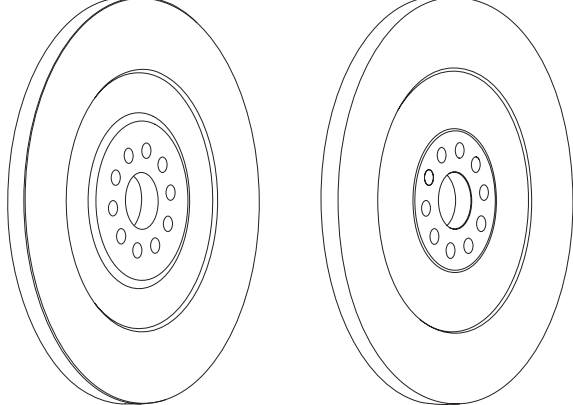
VOLVO BUS B10





SC2471  \varnothing **A B C D** Kg  ABS

374 22 20.5 22 60.1 15.3 10x16.7 -

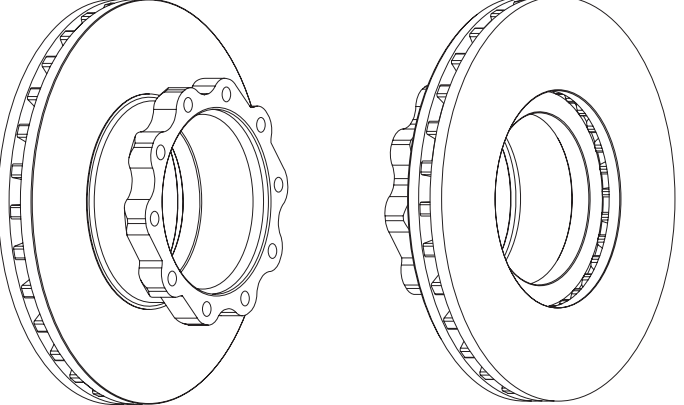
MERCEDES Unimog U600 U800 U1000 1991→





SC0074  \varnothing **A B C D** Kg  ABS

437 45 41 135 200 36 10xM16 -

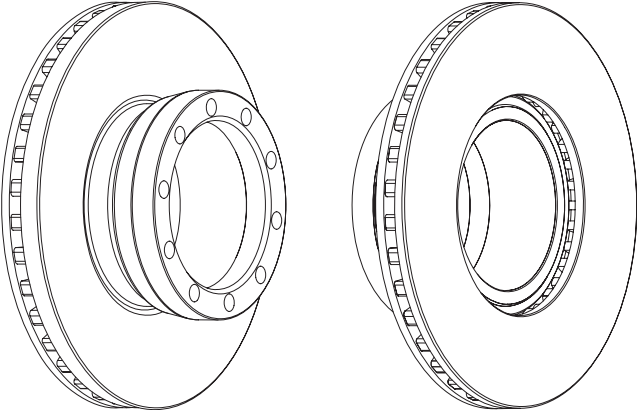
MAN F2000 18/23 mod. 19501/19502 1995→





SC1074  \varnothing **A B C D** Kg  ABS

325 30 27 102 135 13.5 10xM14 -

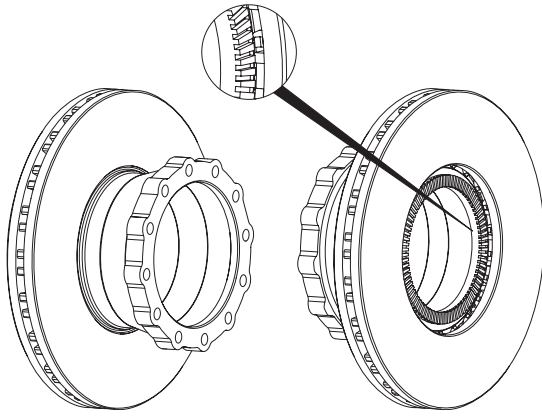
MAN L2000 8.103 mod. 19462 1993→1996





SC5074  \varnothing **A B C D** Kg  ABS

330 34 26 124 157 17.1 12xM12 80 teeth

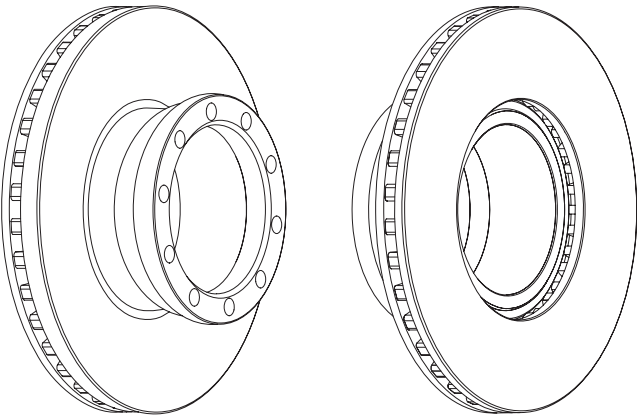
MAN L2000 with 17.5" ABS





SC2074  \varnothing **A B C D** Kg  ABS

330 34 28 104 135 16.4 10xM14 -

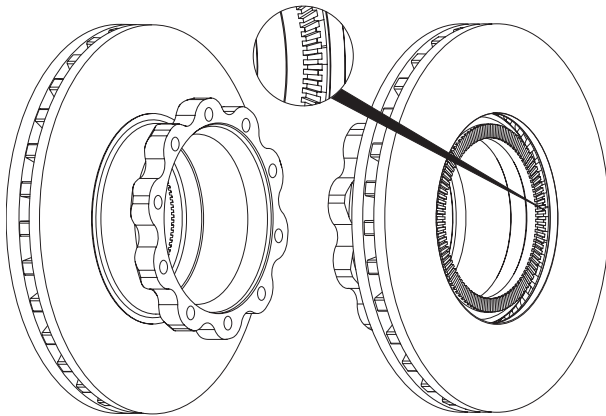
MAN L2000 L2100 1996→





SC7074  \varnothing **A B C D** Kg  ABS

432 45 35 135 208 35 10xM16 100 teeth

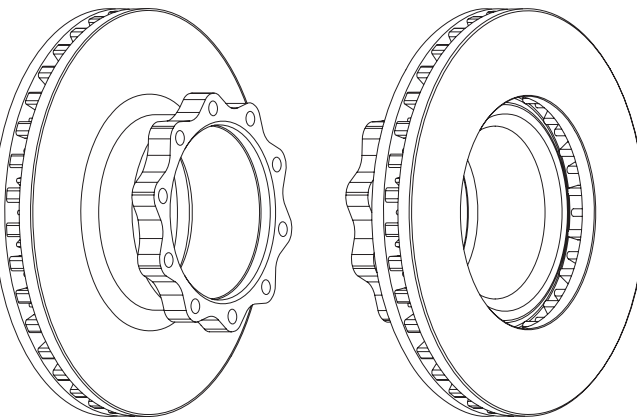
MAN F (ABS)





SC3074  \varnothing **A B C D** Kg  ABS

377 45 38 128 162 23 10xM14 -

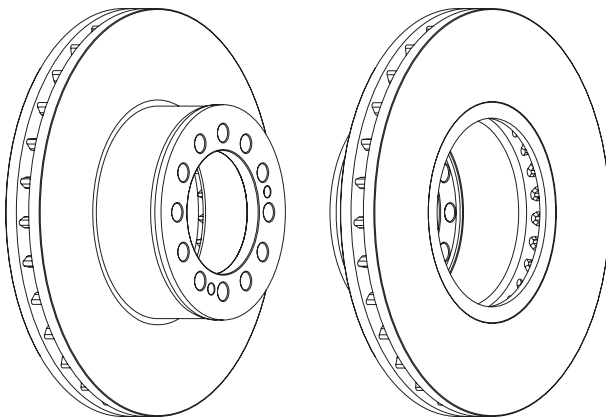
MAN M2000





SC8074  \varnothing **A B C D** Kg  ABS

432 45 37 130 131 36 12x19 3xM12 -

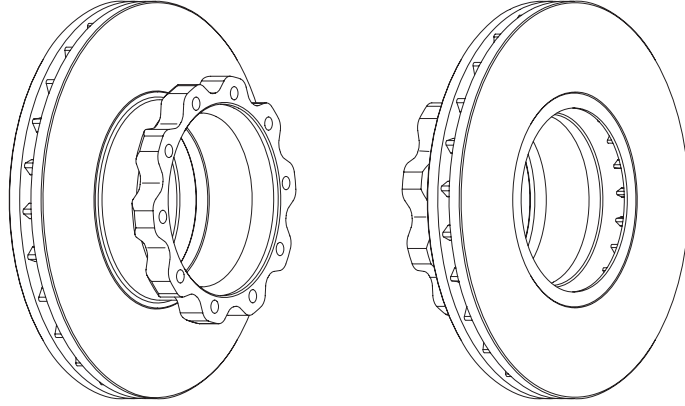
MAN F90 (12 holes disc) 89→95





SC0174  \varnothing **A B C D** Kg  ABS

432 45 35 135 208 37 10xM16 -

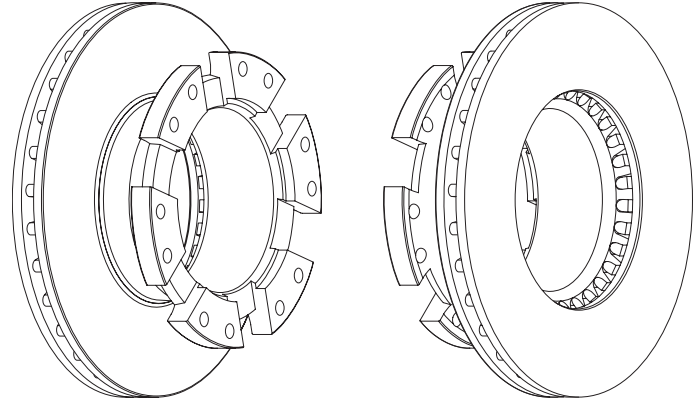
MAN TGA, F2000 Serie





SC0657  \varnothing **A B C D** Kg  ABS

324 30 27 111 165 13 12x13 -

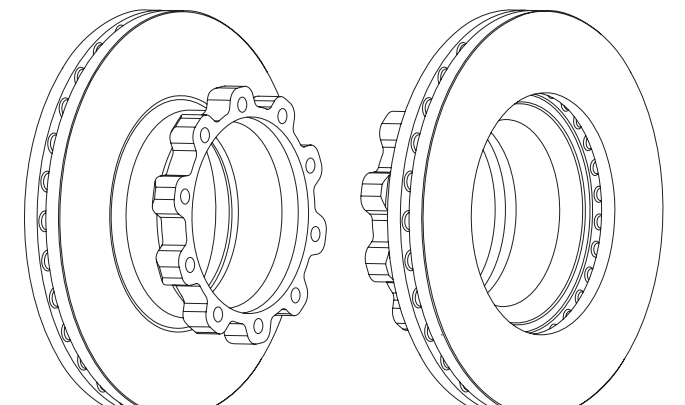
MCW Metrorider (PCV) 22/33 1987→1989





SC0075  \varnothing **A B C D** Kg  ABS

430 45 37 131 208 29.5 10xM16 -

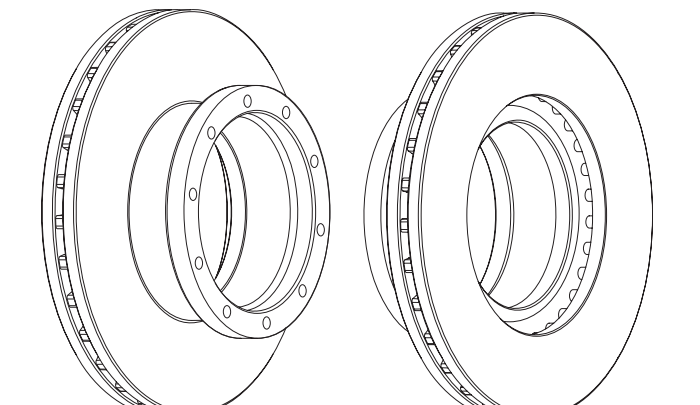
SCANIA 4 Series





SC1577  \varnothing **A B C D** Kg  ABS

430 45 38 132.5 211 34.24 10xM14 -

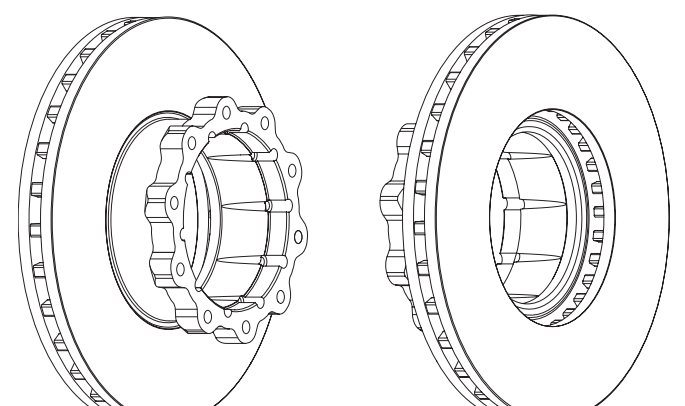
MERCEDES Actros 1996→





SC5575  \varnothing **A B C D** Kg  ABS

438 45 41 135 195 33.5 10xM14 -

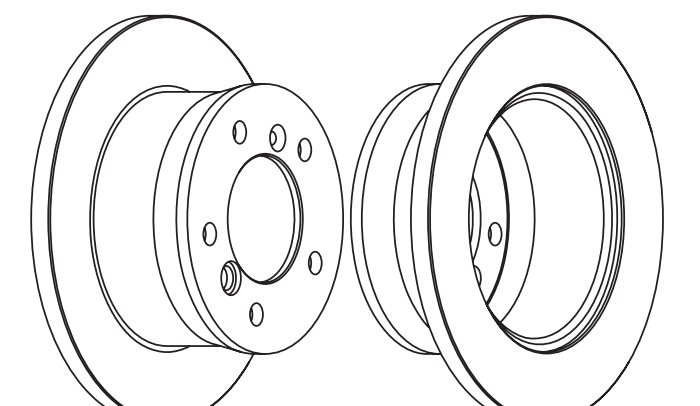
MERCEDES Coaches (PCV) 0404 0350 1991→





SC1677  \varnothing **A B C D** Kg  ABS

272 16 14 96 85 6.9 5x15 1x9/17 1x16/23 -

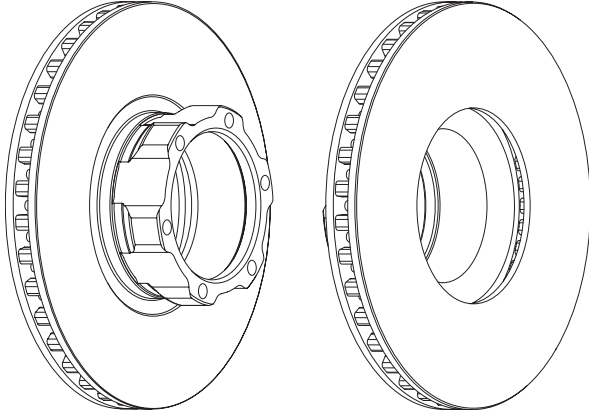
MERCEDES Sprinter 2.8t/3.5t





SC2677  \varnothing **A B C D** Kg  ABS

324 30 26 91 118 11 6xM12 -

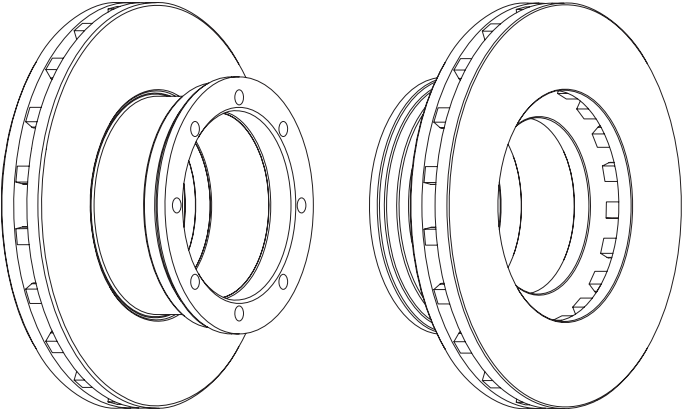
MERCEDES Vario 4.3TDI 1996 →





SC5677  \varnothing **A B C D** Kg  ABS

377 45 37 138.5 176 26.4 8xM14 -

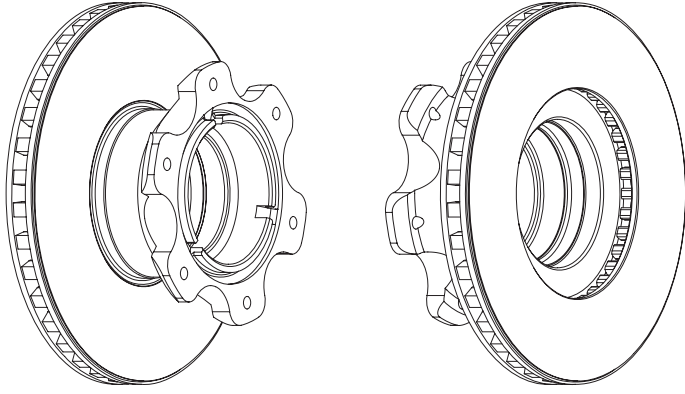
MERCEDES Atego 19.5" rear 1998 → Discos axle





SC3677  \varnothing **A B C D** Kg  ABS

324 30 27.75 120 120 15 6xM12 ABS ring

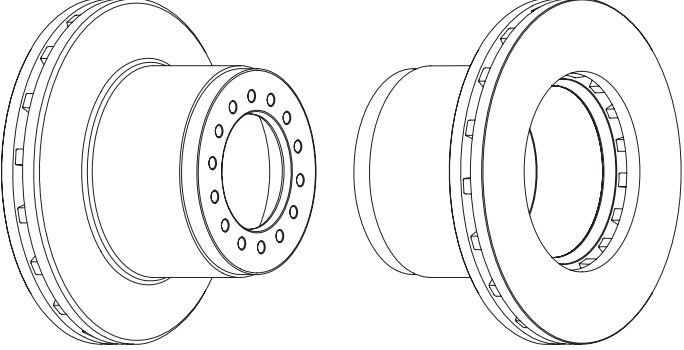
MERCEDES Vario 17,5" wheels





SC6677  \varnothing **A B C D** Kg  ABS

377 45 37 134 105.7 24 14x14.5 -

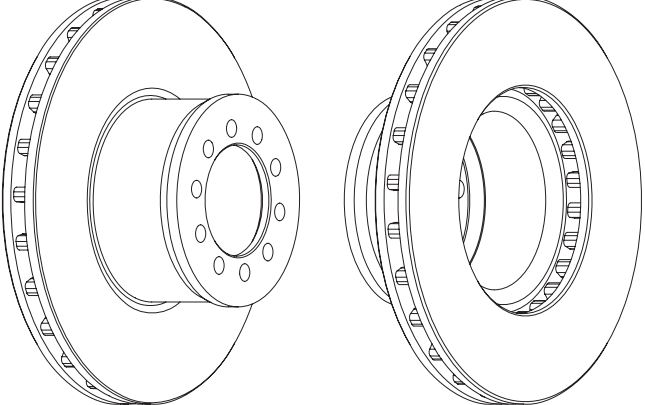
MERCEDES Atego 19.5" 1998 →





SC4677  \varnothing **A B C D** Kg  ABS

335 34 28 102 91.5 15 10x14.5 -

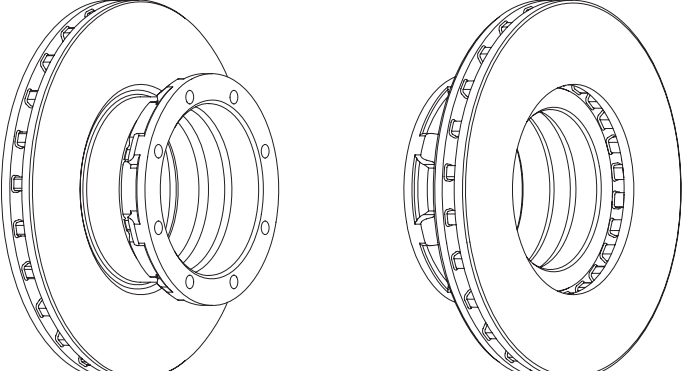
MERCEDES Atego 17.5" 1998 →





SC7677  \varnothing **A B C D** Kg  ABS

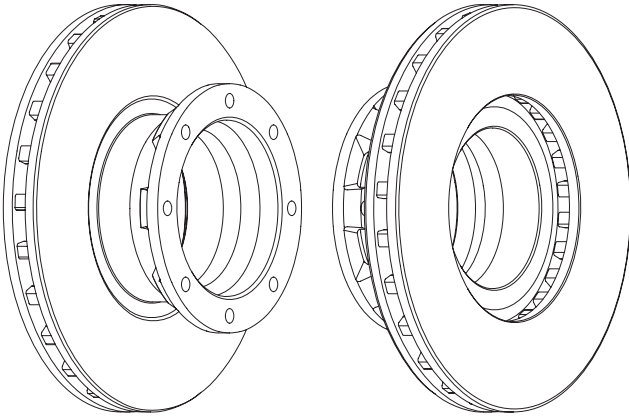
335 34 28 111 152 15.2 8xM12 -



MERCEDES Atego 17.5" (7to.) rear 1998 →



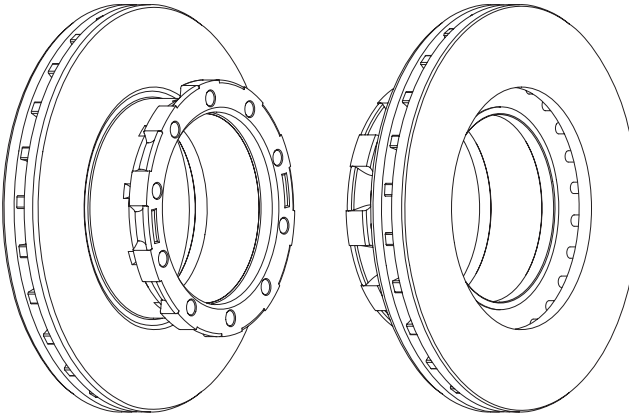
SC8677  \varnothing **A B C D** Kg  ABS
 335 34 28 111 131 16 8xM12 -



MERCEDES Atego 17.5" (5 to.) rear 1998→



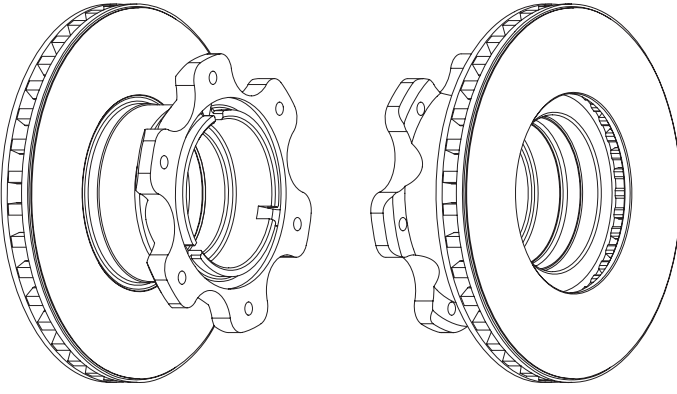
SC1078  \varnothing **A B C D** Kg  ABS
 430 45 37 131 203 34.4 10xM16 -



NEOPLAN BUS



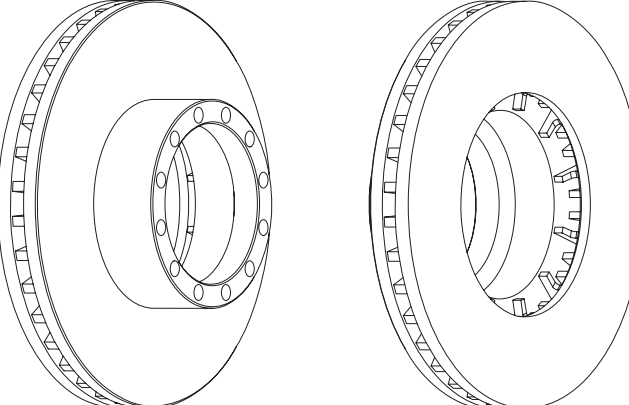
SC9677  \varnothing **A B C D** Kg  ABS
 304 30 27.75 120 120 14 6xM12 -



MERCEDES Vario 16" wheels



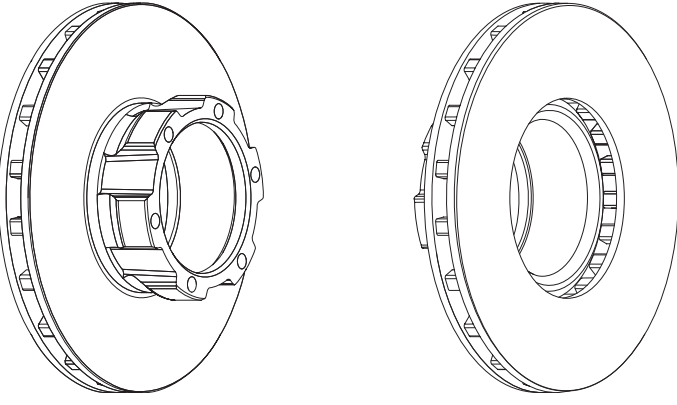
SC2078  \varnothing **A B C D** Kg  ABS
 410 48 40 120 162 29.1 12xM16 -



VAN HOOL



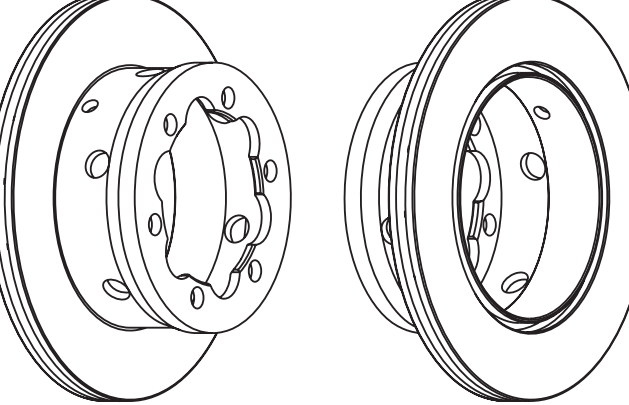
SC0777  \varnothing **A B C D** Kg  ABS
 304 30 26 91 118 10.5 6xM12 -



MERCEDES Vario 2.9TD 1996→



SC0178  \varnothing **A B C D** Kg  ABS
 285 22 19 93 120 7 6x15.1 -

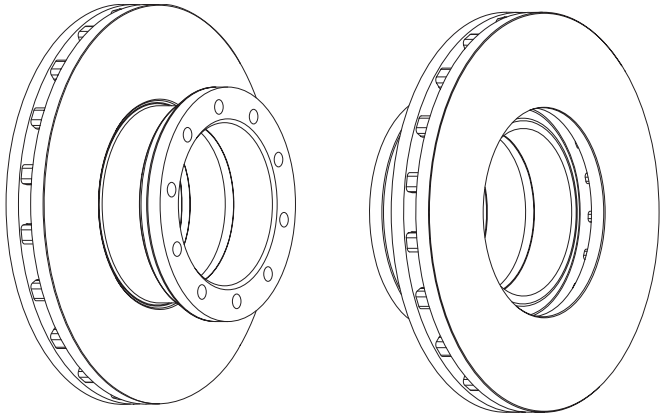
MERCEDES Sprinter (twin wheel models) rear 1996→





SC2178  \varnothing **A B C D** Kg  ABS

375 44 40 128 154 25 10xM14 -

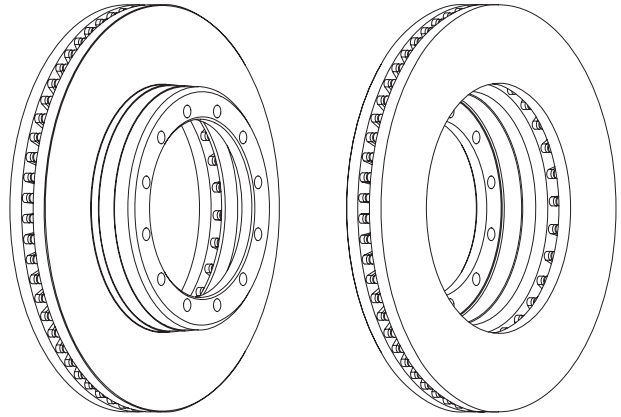
LEYLAND/DAF (New 55 Series) 1991→





SC1579  \varnothing **A B C D** Kg  ABS

400 42.3 39 90 175 23.7 12x12.5 -

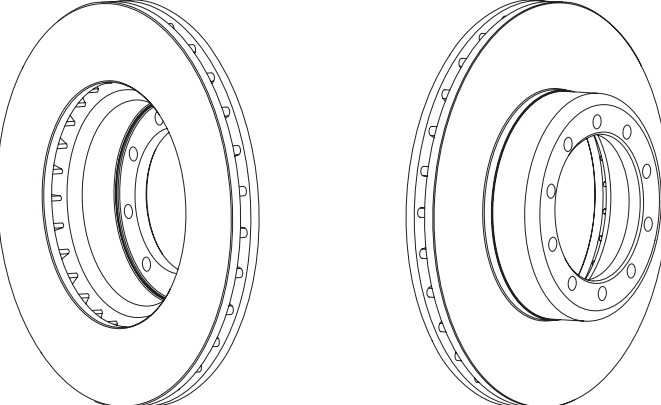
RENAULT PSV FR-1 →1993





SC9479  \varnothing **A B C D** Kg  ABS

354 30 26 82 128 14.2 10x12.4 -

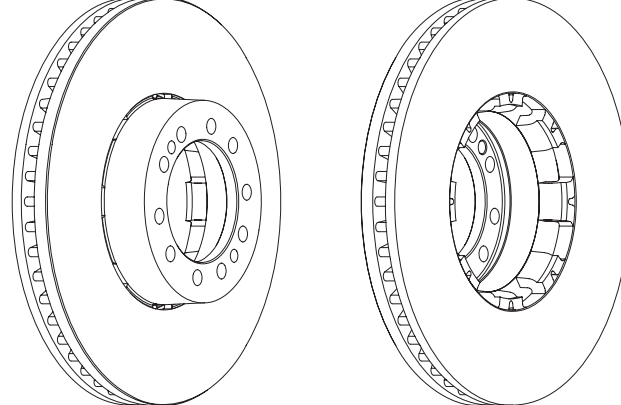
RENAULT Midliner M Series (120, 210, 230) 89→94 / S Series (120, 130, 150, 170, 180) 82→89





SC3579  \varnothing **A B C D** Kg  ABS

438 45 41 97 131 31.3 10x17.1 2xM14 -

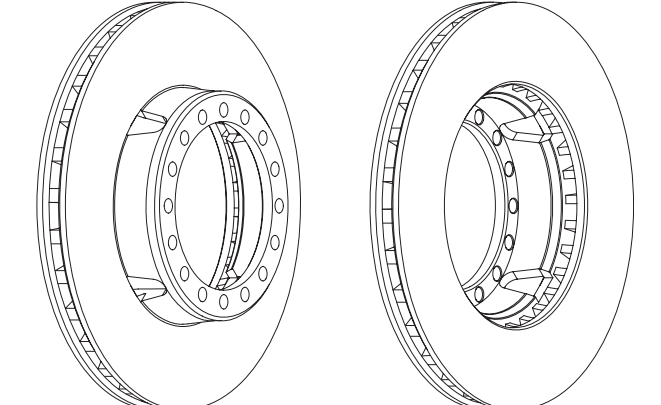
RENAULT Magnum AE385TI AE420TI AE520TI 1993→





SC0579  \varnothing **A B C D** Kg  ABS

350 30 26 73 145 13 16x12.1 -

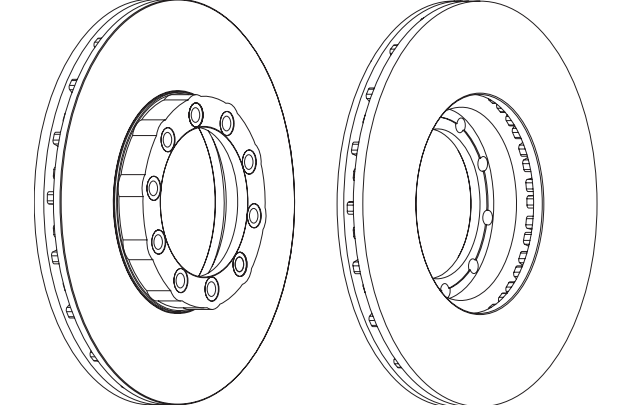
RENAULT Star BUS R312 FR1 1989→





SC4579  \varnothing **A B C D** Kg  ABS

276 24 21 44.5 102 6.6 10x10.6 -

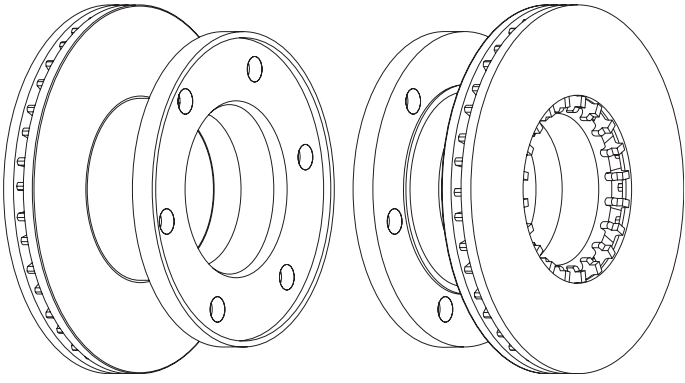
RENAULT Midliner B80-120 1993→





SC5579  \varnothing **A B C D** Kg  ABS

304 30 26 134.75 250 15 6x21 -

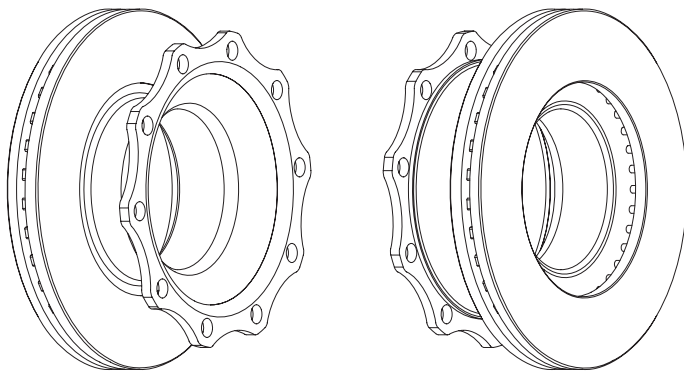
RENAULT Midliner S Series





SC0090  \varnothing **A B C D** Kg  ABS

430 45 37 161 192 38.8 10x23 -

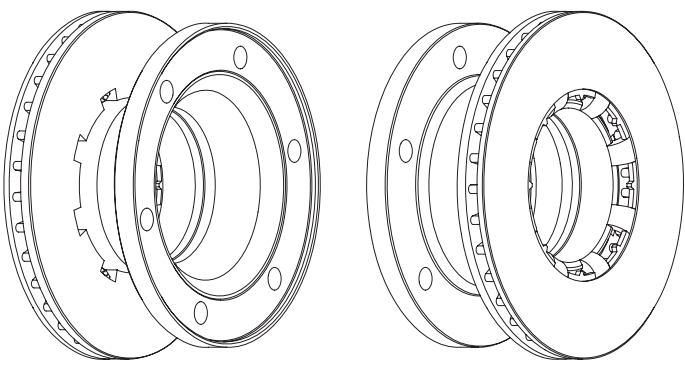
SAF 22,5" wheels





SC6597  \varnothing **A B C D** Kg  ABS

322 30 27 140 290 18 6x21 -

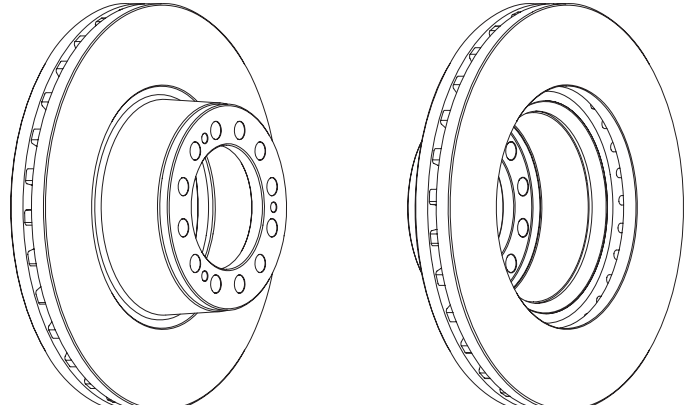
RENAULT Midliner M, S Series





SC1090  \varnothing **A B C D** Kg  ABS

430 45 37 130 131 33 12x19 3xM12 -

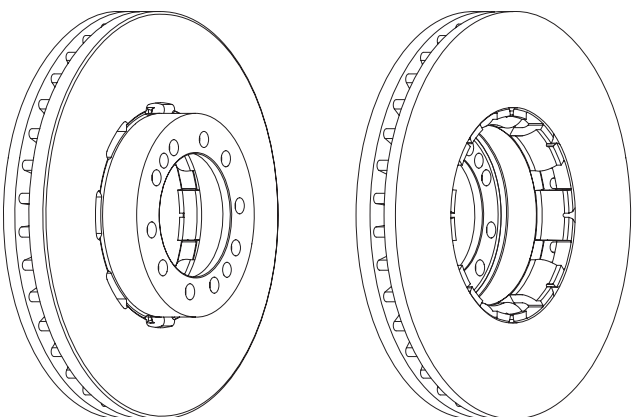
SAF 22,5" wheels





SC8579  \varnothing **A B C D** Kg  ABS

380 45 38 85 117 22.9 10x15 2xM14 -

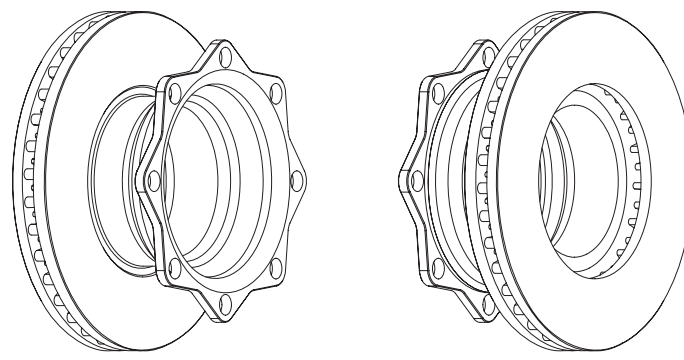
RENAULT Midliner, Midlum





SC2090  \varnothing **A B C D** Kg  ABS

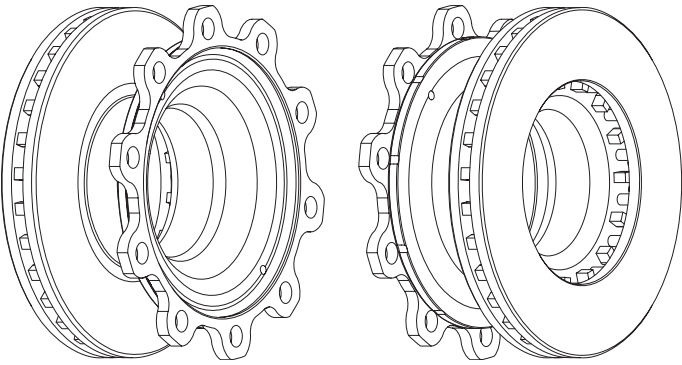
377 45 38 157 169 27 8x23 -



SAF 19,5" wheels



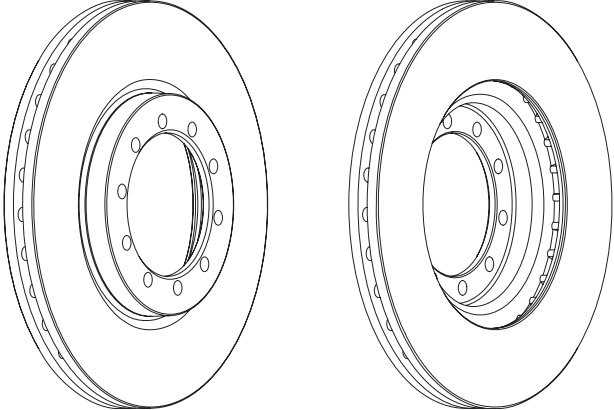
SC2290  \varnothing **A B C D** Kg  ABS
 377 45 37 159 290 28 10x23 2x9.7 -



BPW EcoPlus 19,5" wheels - Knorr SN6



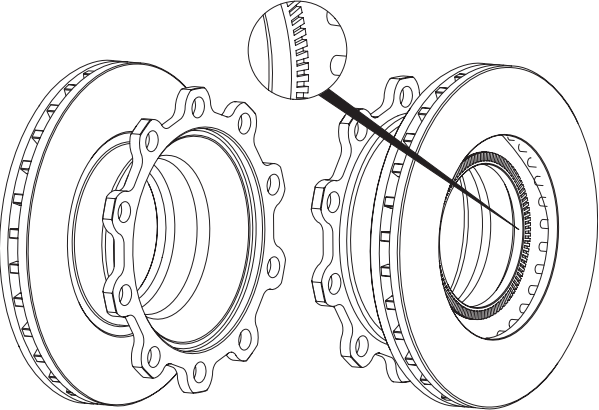
SC2091  \varnothing **A B C D** Kg  ABS
 290 26 24 42.5 102 7 10x10.5 -



RENAULT V.I Mascott 5,5/ 6/ 6,5 t 99→



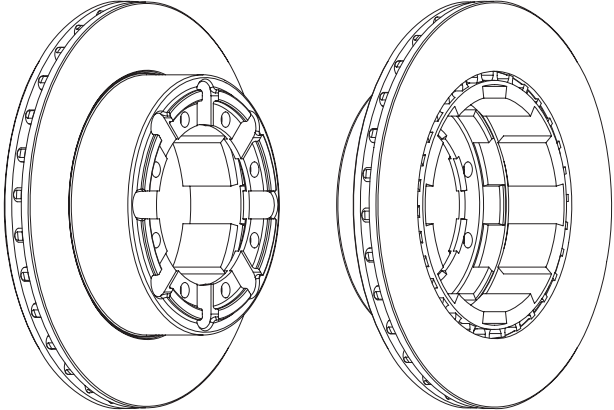
SC0091  \varnothing **A B C D** Kg  ABS
 430 45 37 155 280 36.2 10x26.5 100 teeth



SMB Trailer 9 Ton D430 22,5" (+ABS)



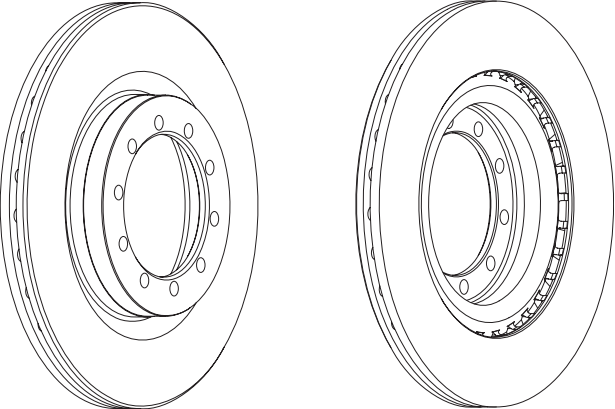
SC3091  \varnothing **A B C D** Kg  ABS
 290 22 20.4 78 115 8 8X11 -



RENAULT V.I Mascott all models rear 99→



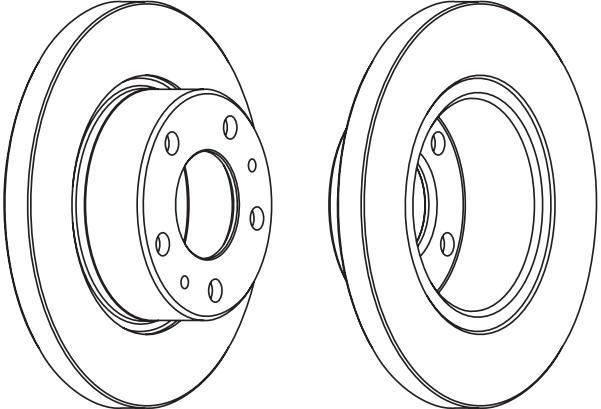
SC1091  \varnothing **A B C D** Kg  ABS
 290 22 20.4 42.5 102 6 10x10.5 -



RENAULT V.I Mascott 3,5/ 5 t 99→



SC4091  \varnothing **A B C D** Kg  ABS
 276 22 19 72.5 73 8 5x15.7 2x8.7 -

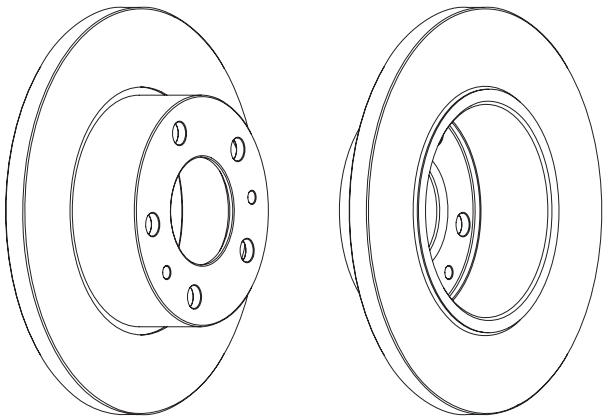
IVECO Daily 29 6/99→





SC5091  \varnothing **A B C D** Kg  ABS

276 16 13 67 73 11 5x15.6 2x8.7 -

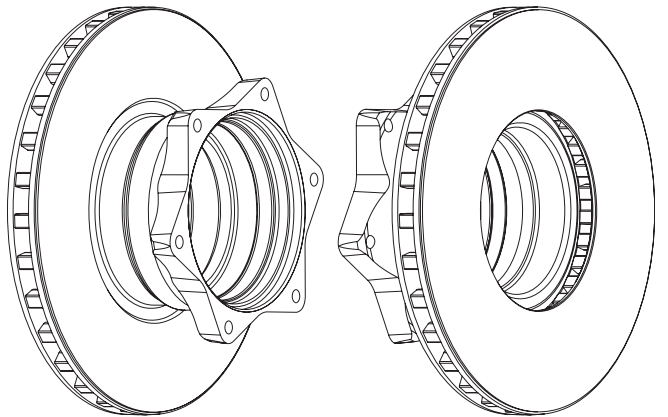
IVECO Daily 29 (rear no ABS) 6/99 →





SC2191  \varnothing **A B C D** Kg  ABS

324 30 36 120.5 157 12.2 6xM12 -

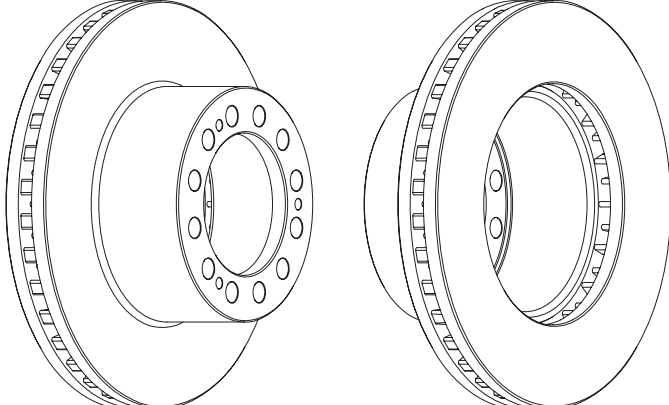
MERCEDES Vario 4.3TDI 1996 →





SC9091  \varnothing **A B C D** Kg  ABS

375 45 37 139.5 131 25.4 12x19 3xM12 -

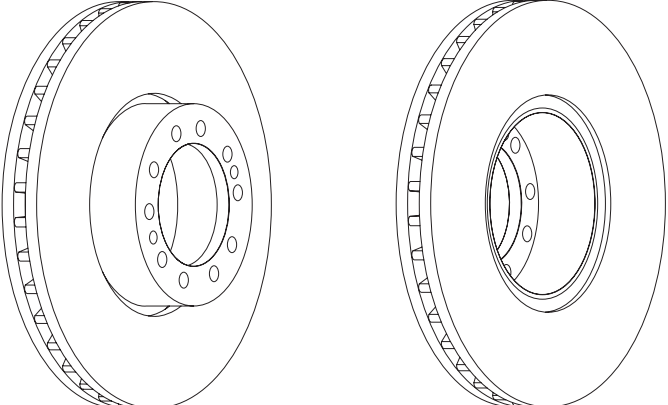
SAF 19,5" wheels





SC3191  \varnothing **A B C D** Kg  ABS

434 45 41 96.7 131 33 10x17 2xM14 -

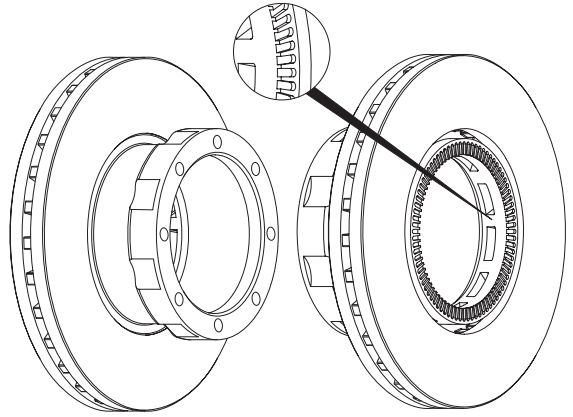
RVI Magnum E-Tech 95 →





SC0191  \varnothing **A B C D** Kg  ABS

377 45 37 138.5 169 27 8xM14 80 teeth

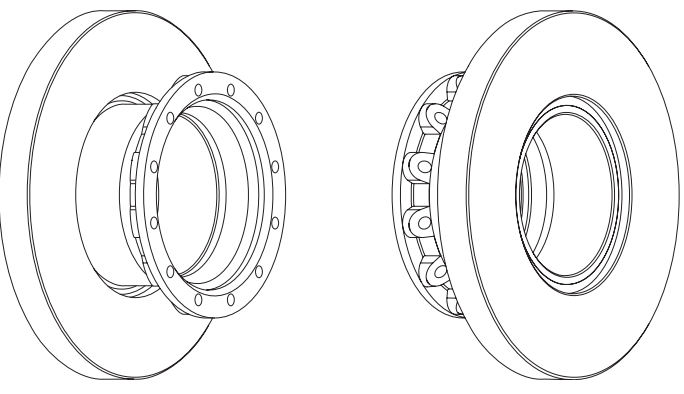
SMB Trailer (+ABS)





SC4191  \varnothing **A B C D** Kg  ABS

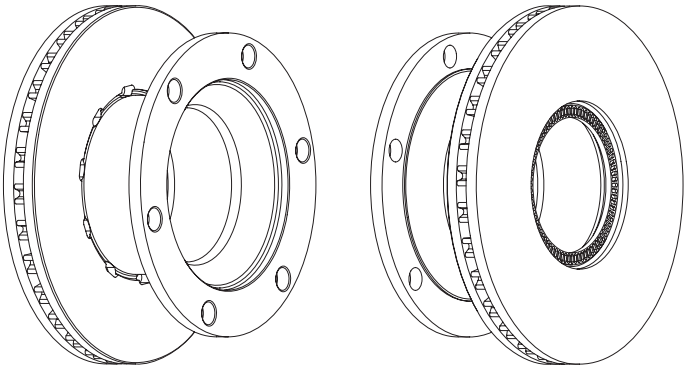
434 45 40 160 224 47 12xM14 -



RVI Magnum E-Tech 95 →



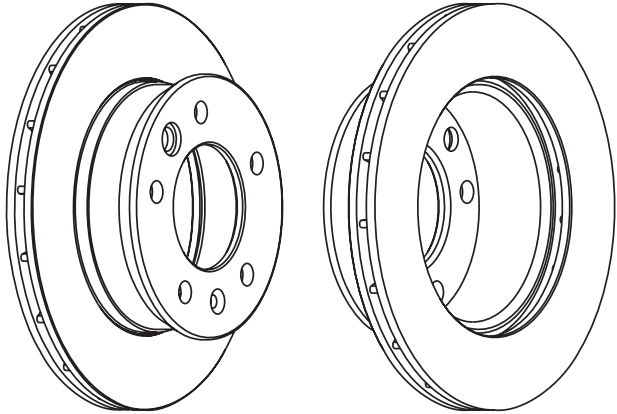
SC6191  \varnothing **A B C D** Kg  ABS
 330 34 28 137 194 20 6x21 80 teeth



RENAULT Midlum



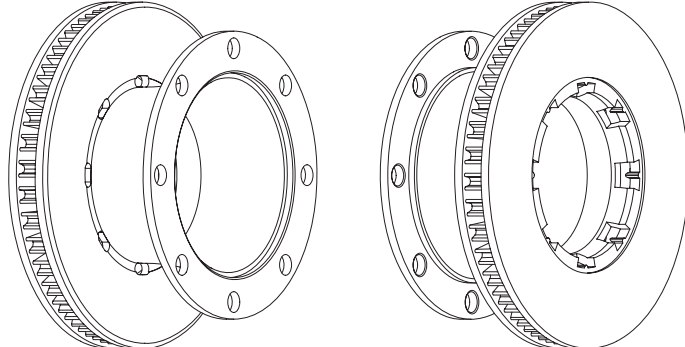
SC2291  \varnothing **A B C D** Kg  ABS
 276 22 19 77 85 6.8 5x15 1x9/17 1x16/23 -



MERCEDES Sprinter 2.8t/3.5t VW



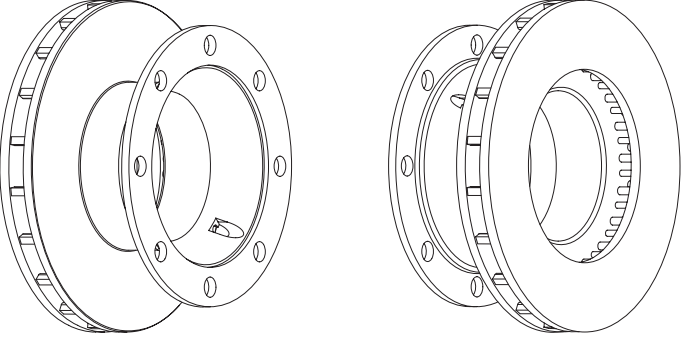
SC7191  \varnothing **A B C D** Kg  ABS
 375 45 38 167 222 30.2 8x22.5 -



RENAULT Midlum (+ABS)



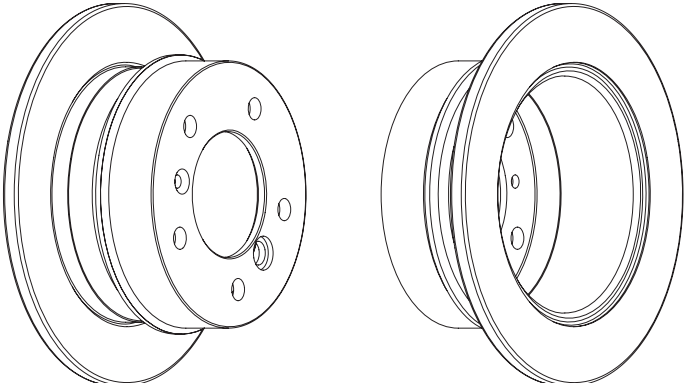
SC3291  \varnothing **A B C D** Kg  ABS
 377 45 40 159.5 230 27 8x23 2x10.5 5xM6 ABS slots



BPW 19,5" wheels with ABS



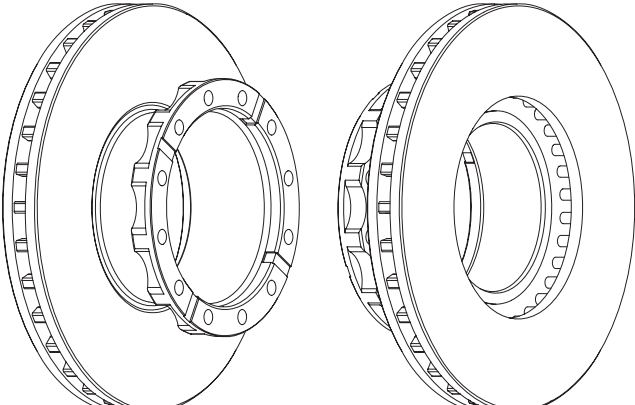
SC0291  \varnothing **A B C D** Kg  ABS
 258 12 10 96.5 85 6.2 5x15 1x9/17 1x16/23 -



MERCEDES Sprinter 2.8t 2002→



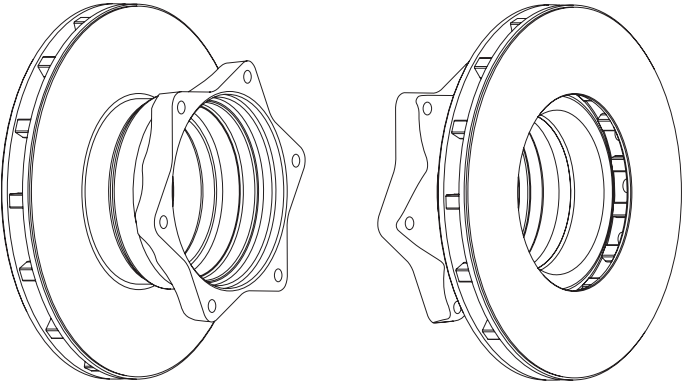
SC5291  \varnothing **A B C D** Kg  ABS
 432 45 37 150 210 37.7 12xM16x2 -



IVECO Stralis



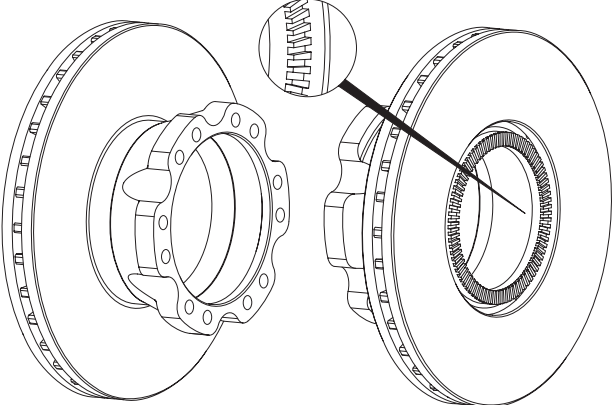
SC6291  \varnothing **A B C D** Kg  **ABS**
 304 30 26 120 157 11.4 6xM12 -



MERCEDES Vario 2.9TD 1996 →



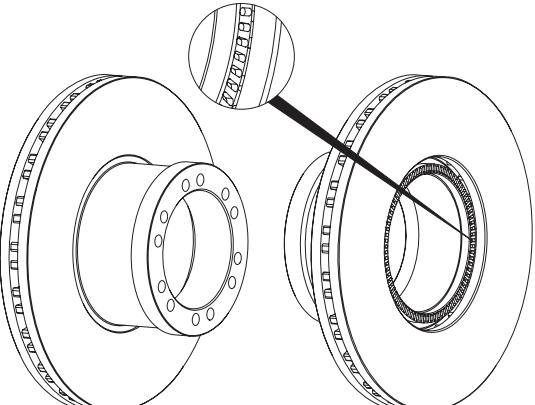
SC9291  \varnothing **A B C D** Kg  **ABS**
 330 34 28 119 150 18 12xM12x1.175 80 teeth



DAF LF45 2001 →



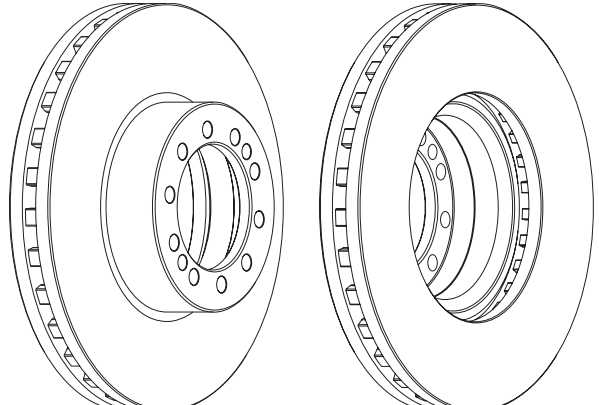
SC7291  \varnothing **A B C D** Kg  **ABS**
 330 34 30 123 117 18 12xM12x1.75 80 teeth



DAF LF45 7Ton 2001 → (+ABS)



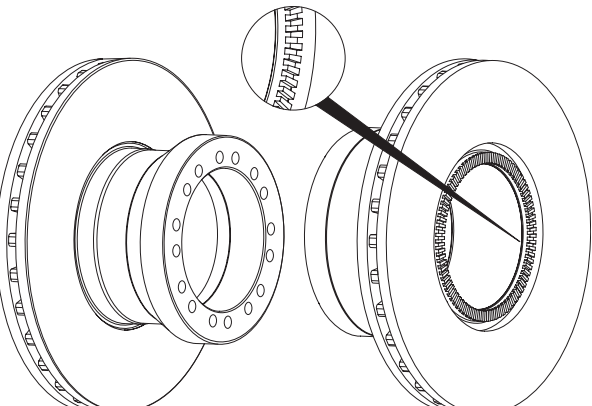
SC0391  \varnothing **A B C D** Kg  **ABS**
 375 45 40 99 117 23.4 10x15 2xM14x2 -



DAF LF55



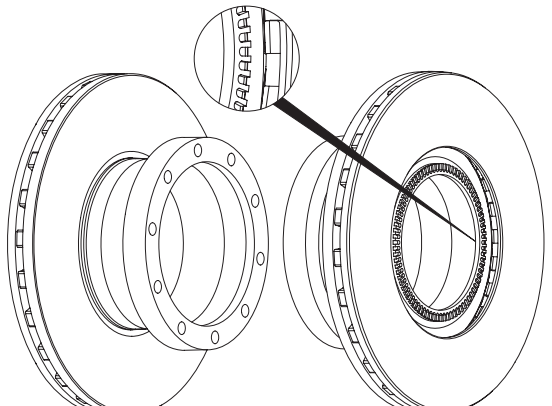
SC8291  \varnothing **A B C D** Kg  **ABS**
 330 34 30 143 133 19.3 16xM12x1.75 80 teeth



DAF LF45 12Ton 2001 → (+ABS)



SC1391  \varnothing **A B C D** Kg  **ABS**
 375 45 38 146 150 29 10xM14 80 teeth

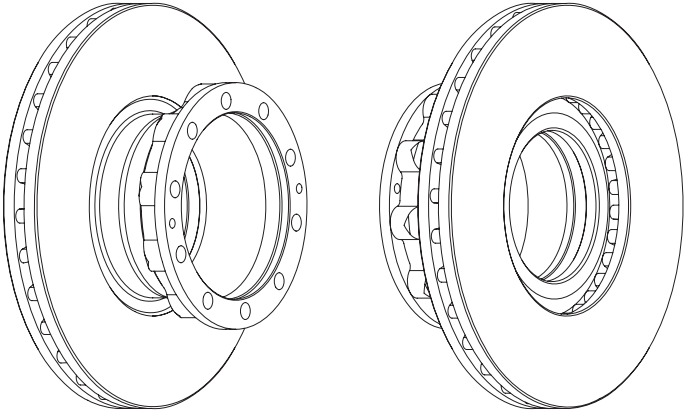
DAF LF55 (+ABS)





SC3391  \varnothing **A B C D** Kg  ABS

335 34 30 118 154 17 2xM8 10xM14x1.5 -

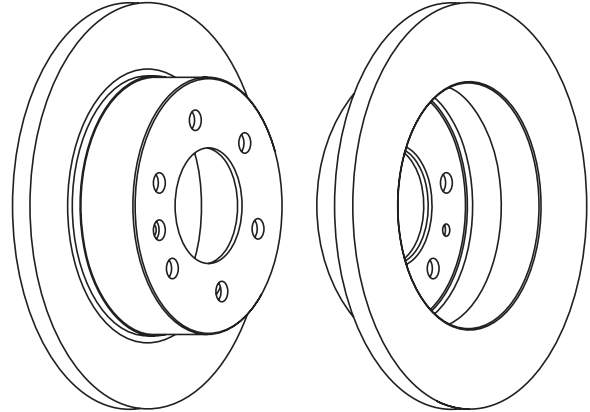
MAN TGL





SC7391  \varnothing **A B C D** Kg  ABS

298 16 14 71 85 7.3 6x15 1x9 -

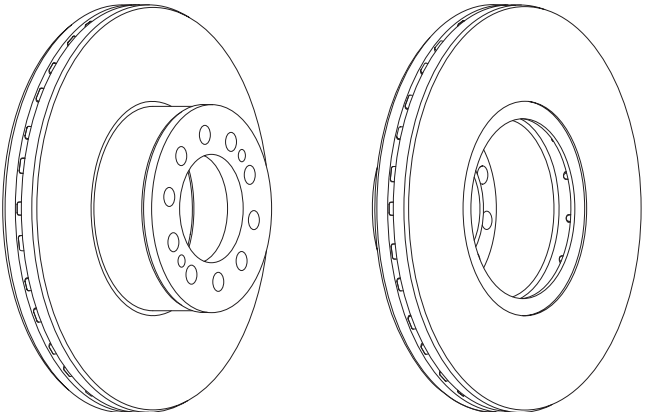
Mercedes Sprinter - VW Crafter





SC4391  \varnothing **A B C D** Kg  ABS

335 34 30 93 90 17 10x15 2xM10 -

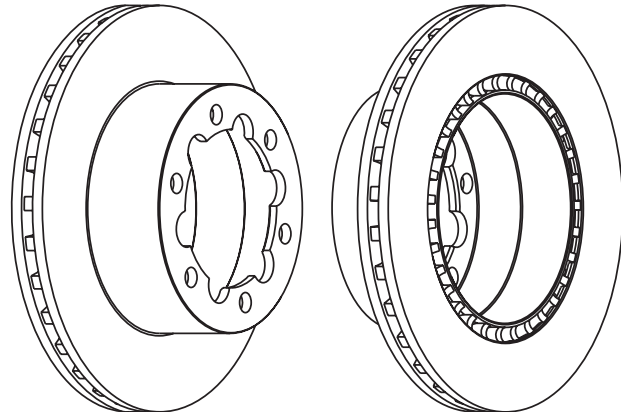
MAN TGL





SC8391  \varnothing **A B C D** Kg  ABS

303 28 25 93 120 9.6 6x15 -

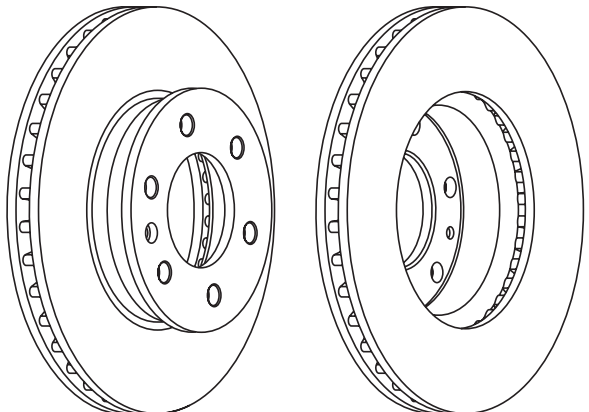
Mercedes Sprinter - VW Crafter





SC6391  \varnothing **A B C D** Kg  ABS

300 28 25 68.5 85 9.2 6x15 1x9 -

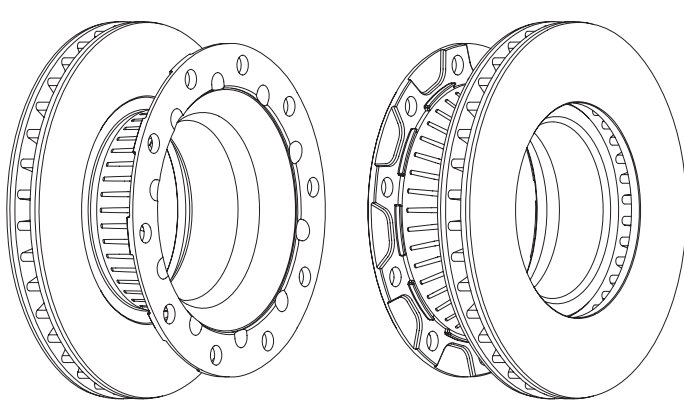
Mercedes Sprinter - VW Crafter





SC1491  \varnothing **A B C D** Kg  ABS

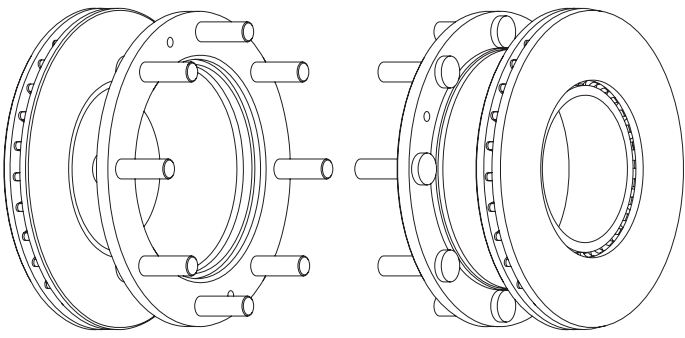
430 45 40 160 201 33 10x22.5 -



BPW no ABS



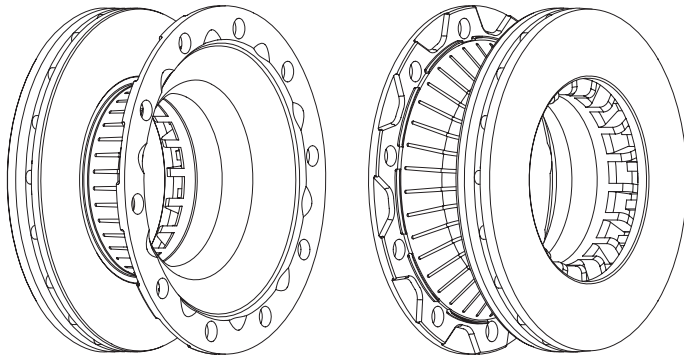
SC2491  \varnothing **A B C D** Kg  **ABS**
 377 45 37 151 225 31 8xM20 2xM10 ABS ring



IVECO EuroCargo Tector 1300ABS



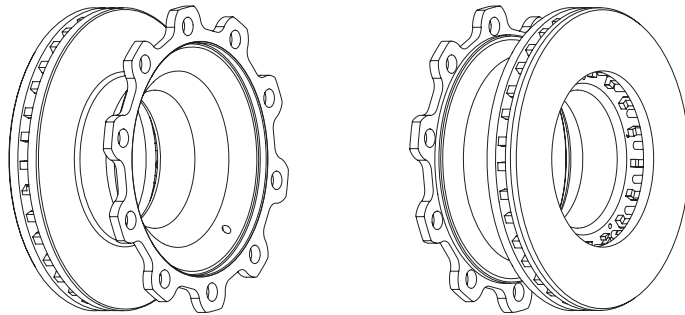
SC5491  \varnothing **A B C D** Kg  **ABS**
 376.3 45 37 170 189 29 10x22.2 -



BPW SB3745 - heat ribbed - no ABS



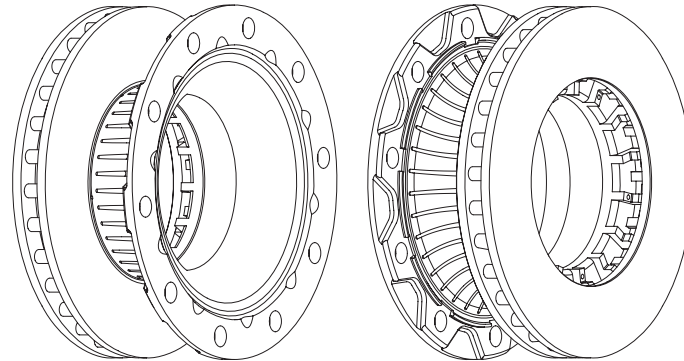
SC3491  \varnothing **A B C D** Kg  **ABS**
 377 45 37 159 290 27.9 10x23 2x10 5xM6 ABS slots



BPW 19,5" wheels with ABS



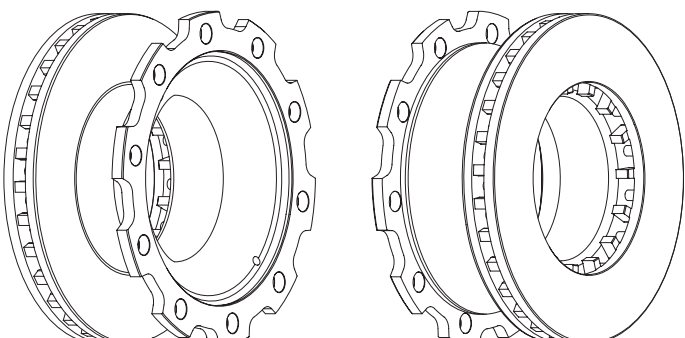
SC6491  \varnothing **A B C D** Kg  **ABS**
 377 45 38 160 189 29 10x22.5 -



BPW SB3745 - heat ribbed



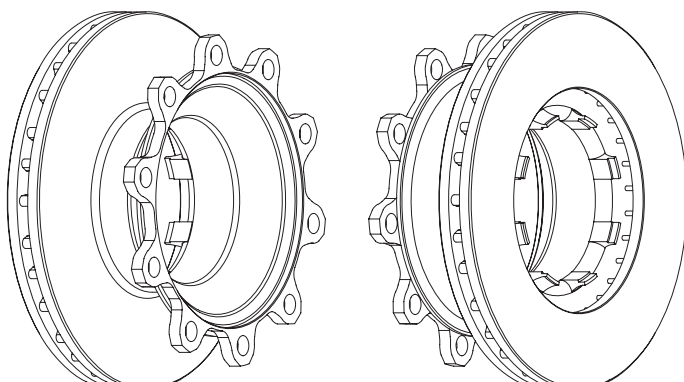
SC4491  \varnothing **A B C D** Kg  **ABS**
 377 45 40 169.5 290 29 10x23 2x9.8 -



BPW EcoPlus SB3745 - 04/03



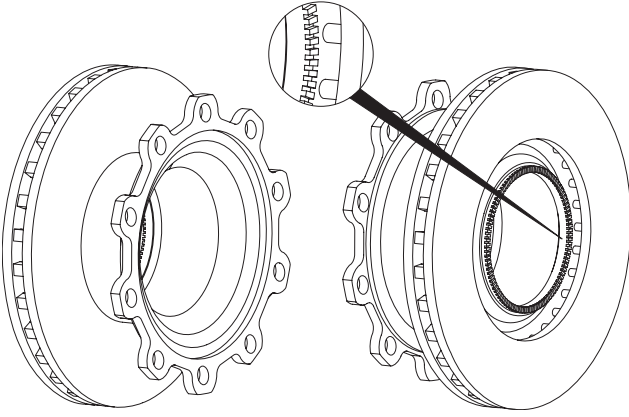
SC7491  \varnothing **A B C D** Kg  **ABS**
 430 45 40 159.5 290 34.5 10x23 -



GIGANT - no ABS



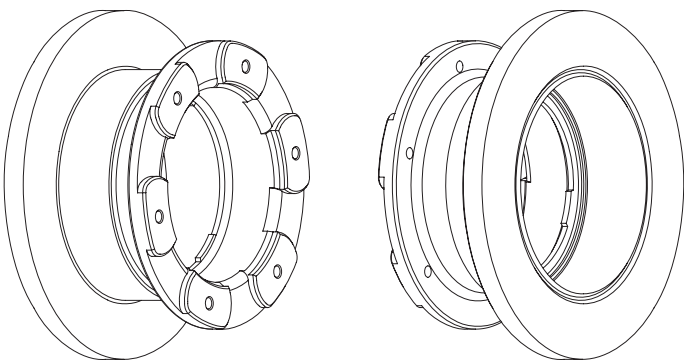
SC2591  \varnothing **A B C D** Kg  ABS
 430 45 38 160 290 37.4 10x23 ABS ring



GIGANT - ABS



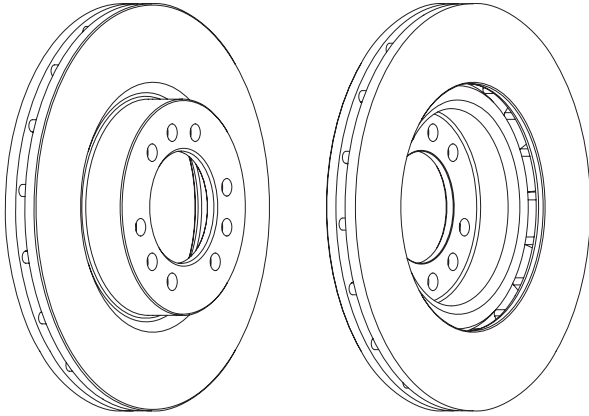
SC9591  \varnothing **A B C D** Kg  ABS
 305 22 19 136 178 13.7 6xM10 -



IVECO Daily (III) 60/65



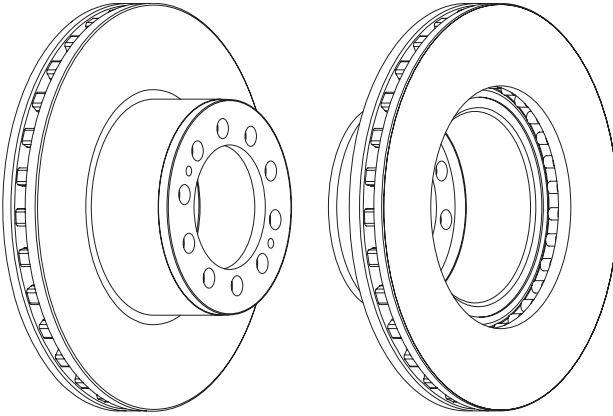
SC4591  \varnothing **A B C D** Kg  ABS
 290 26 23 53 80 7.4 9x12.5 -



IVECO Daily (III) 60/65



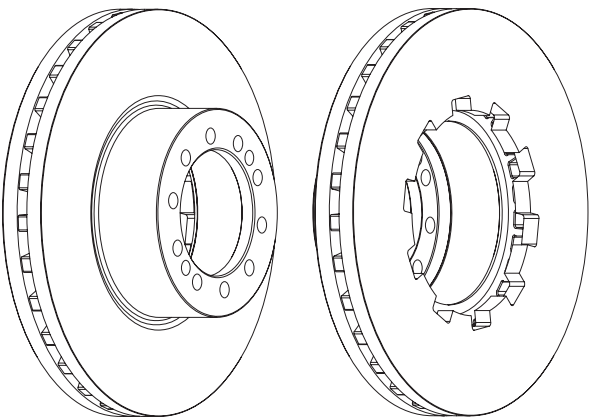
SC0691  \varnothing **A B C D** Kg  ABS
 430 45 37 143.5 131 34.85 10x21 + 2xM12 -



MERCEDES Actros 07→



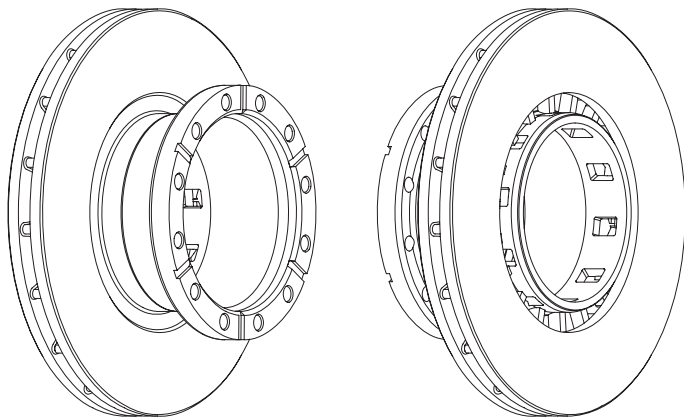
SC6519  \varnothing **A B C D** Kg  ABS
 377 45 38 112 117 24.9 10x15 2M14 -



DAF SB120



SC1691  \varnothing **A B C D** Kg  ABS
 432 45 37 154 210 38 12 100 teeth

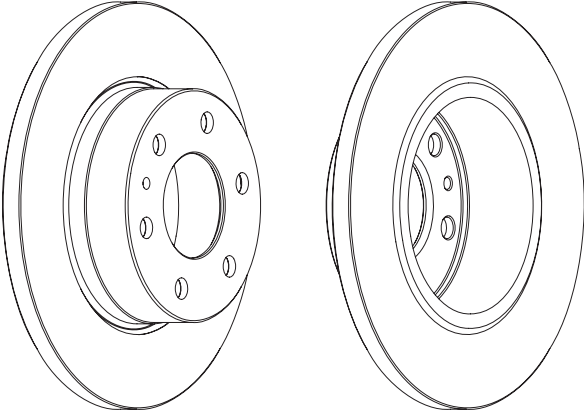
IVECO Stralis with ABS





SC2691  \varnothing **A B C D** Kg  ABS

296 16 13 69.5 76 7.6 6 -

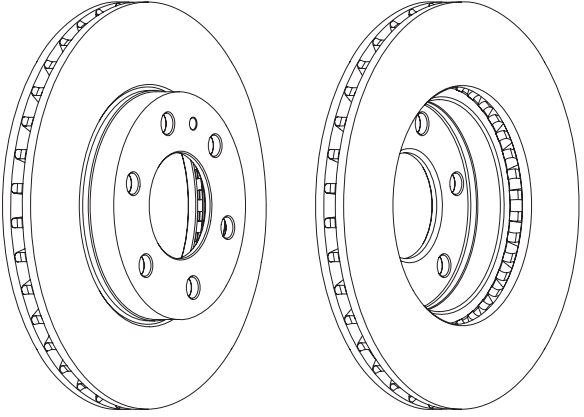
IVECO Daily IV 29L035S 10/12/14





SC5691  \varnothing **A B C D** Kg  ABS

300 28 25 74.5 78 8.6 6 -

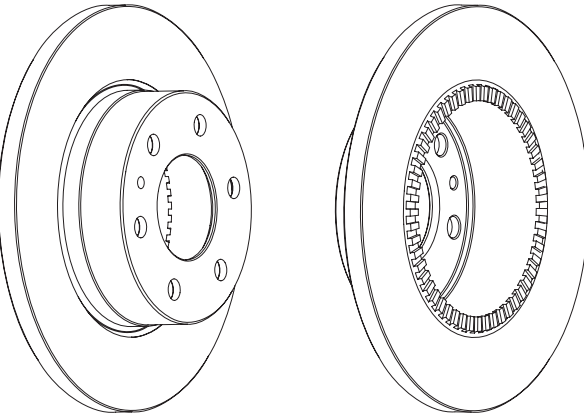
IVECO Daily IV 29L035S 10/12/14





SC3691  \varnothing **A B C D** Kg  ABS

296 16 13 69.5 76 7.6 6 ABS ring

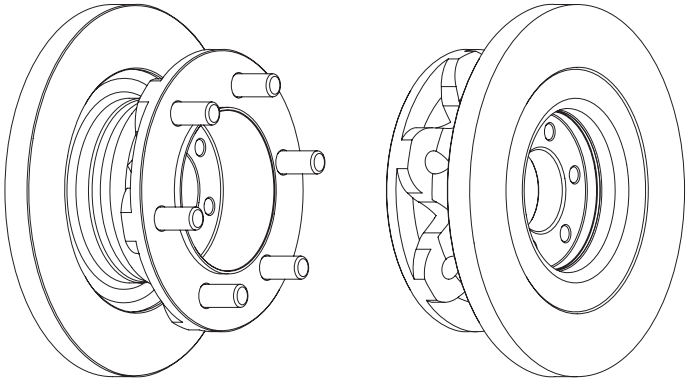
IVECO Daily IV 35S 10/12/14





SC8691  \varnothing **A B C D** Kg  ABS

290 22 19 110.5 64 14.8 6 -

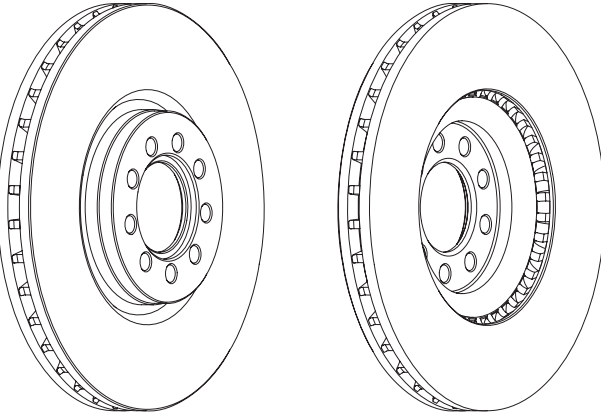
IVECO Daily III Ø 290





SC4691  \varnothing **A B C D** Kg  ABS

290 28 25 46 74 8.5 9 -

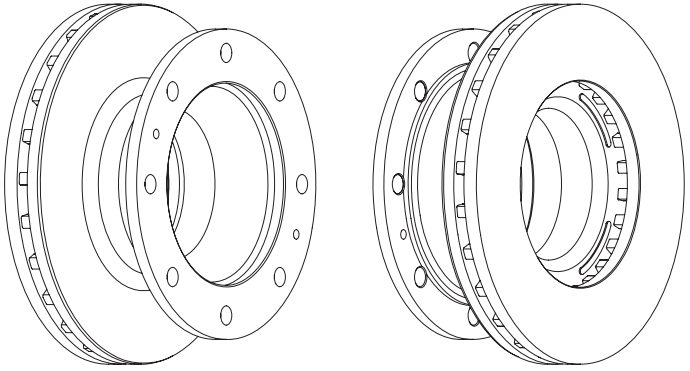
IVECO Daily IV 35C -50C





SC0791  \varnothing **A B C D** Kg  ABS

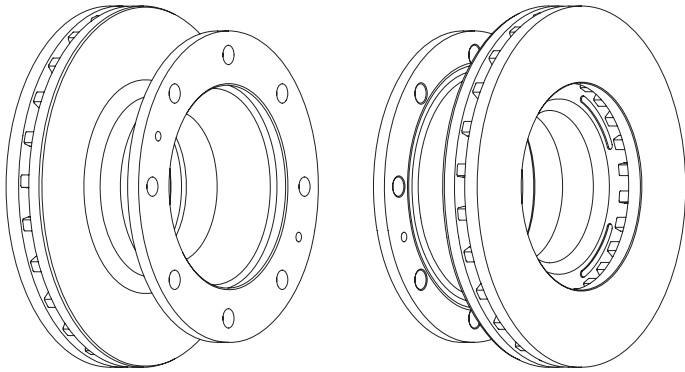
377 45 37 151.6 159 33 8xM20 2xM10 -



IVECO EuroCargo Tector 130



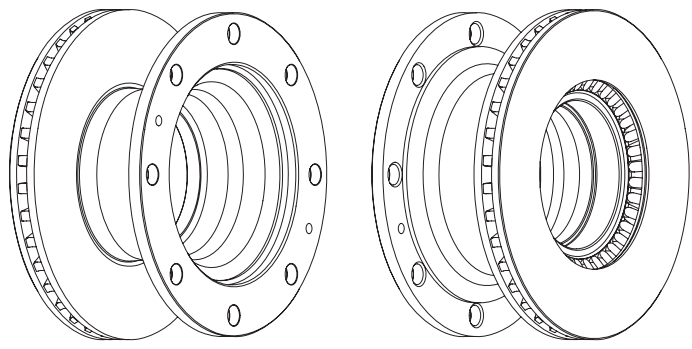
SC1791  \varnothing **A B C D** Kg  **ABS**
 377 45 37 151 159 32.6 8xM22 2xM10 -



IVECO EuroCargo Tector 150



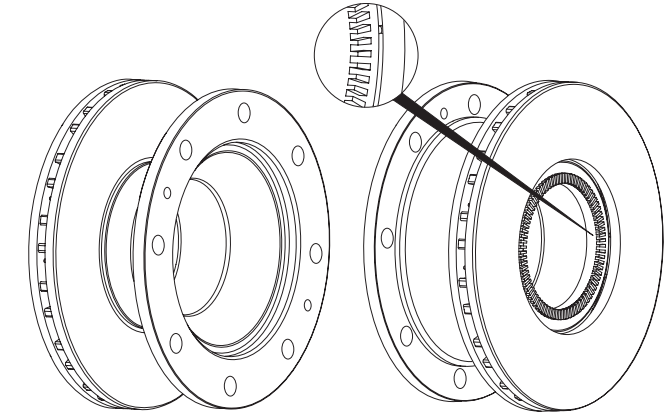
SC9791  \varnothing **A B C D** Kg  **ABS**
 322 30 27 134 215 20.1 8x20.15 2xm10 -



IVECO



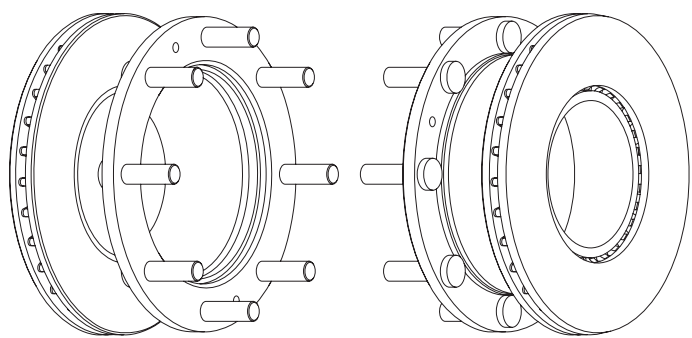
SC2791  \varnothing **A B C D** Kg  **ABS**
 330 34 28 141 215 23.2 8x20 2xm10 80 teeth



IVECO Eurocargo 110EL-120EL (17,5") Wabco PAN17 (+ABS)



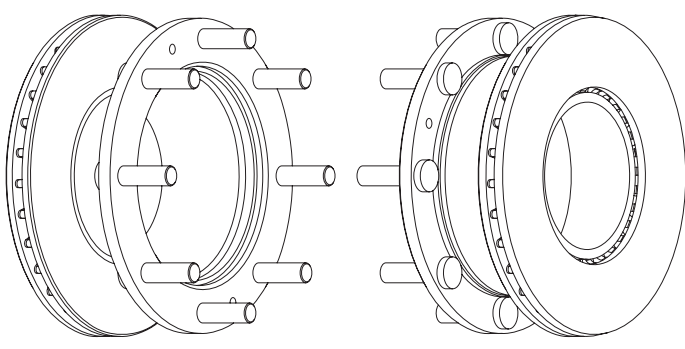
SC8891  \varnothing **A B C D** Kg  **ABS**
 377 45 37 151 225 33.6 8xM20 2xm10 ABS ring



IVECO Tector 130



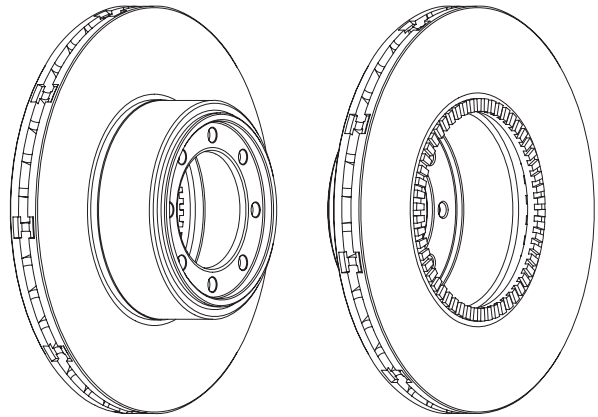
SC5791  \varnothing **A B C D** Kg  **ABS**
 377 45 37 151 225 31 8xM22 2xm10 ABS ring



IVECO EuroCargo Tector 1500 ABS



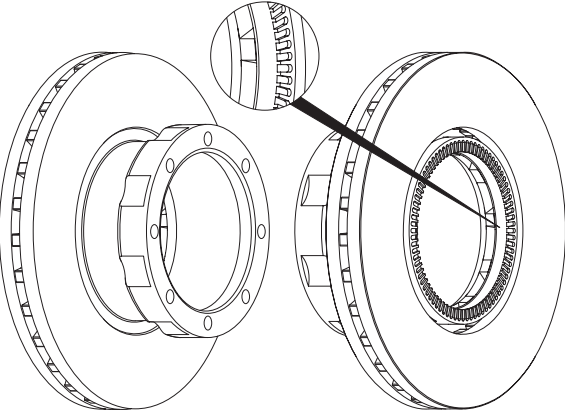
SC2991  \varnothing **A B C D** Kg  **ABS**
 294 24 21 87.5 128 8.7 8 ABS ring



IVECO Daily (IV) 35C & 50c 10/12/14/15/18 (+ twin rear wheel + ABS crown)



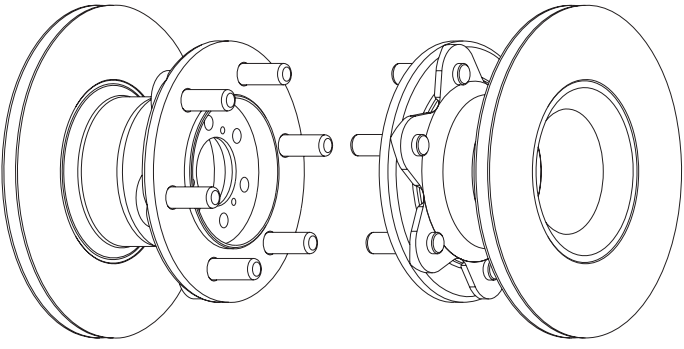
SC3991  \varnothing **A B C D** Kg  ABS
 377 45 38 138.5 169 27.1 8xM14 80 teeth



DAF SB120



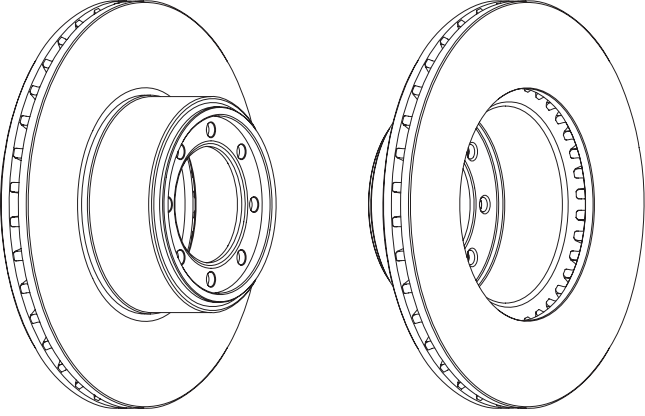
SC1792  \varnothing **A B C D** Kg  ABS
 280 16 13 142 105 13.4 6xM18 6x12.5 3xM6 -



IVECO Daily-Grinta 35.12 45.10 Turbo 45.12 49.10 Turbo 49.12 1985→1993



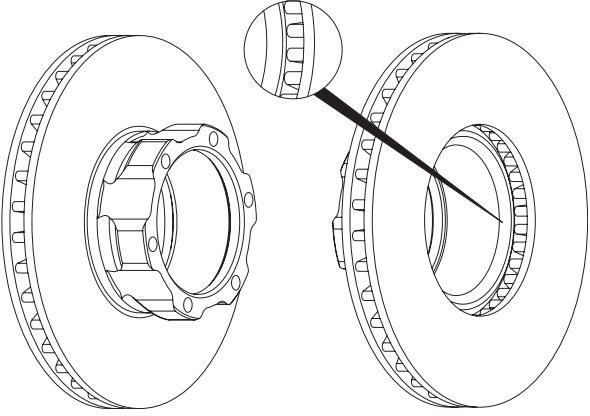
SC5991  \varnothing **A B C D** Kg  ABS
 294 24 21 83.5 128 8.3 8 -



IVECO Daily (IV) 35c & 50c 10/12/14/15/18 (+ twin rear wheel)



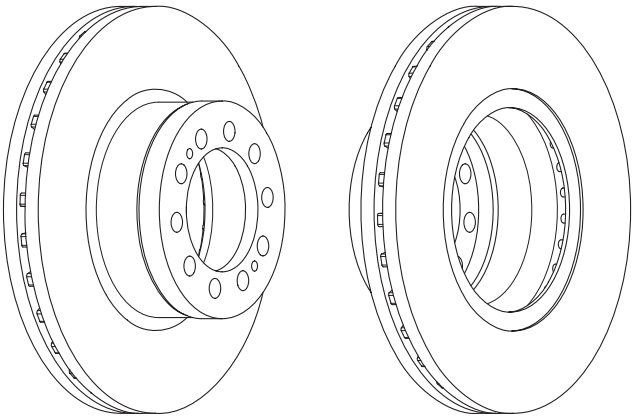
SC2792  \varnothing **A B C D** Kg  ABS
 304 30 26 91 118 10.5 6xM12 -



MERCEDES L510D L609D L709D L711D 1985→



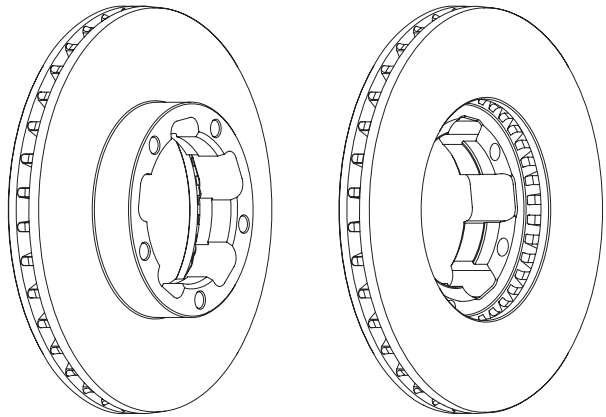
SC4592  \varnothing **A B C D** Kg  ABS
 430 45 37 131 131 34.7 10x21 + 2xM12 -

MB Actros IV (Front)



SC3792  \varnothing **A B C D** Kg  ABS
 276 24 22 49.5 96 7.11 5 -

NISSAN Cabstar E 120 98→



NOTES

A large, rounded rectangular area with a thin black border, containing horizontal dashed lines for writing notes. The lines are evenly spaced and extend across the width of the area.



www.stahlhorz.com

info@stahlhorz.com

Stahlhorz GmbH Calvinstraße
8 D-58636 Iserlohn Germany